

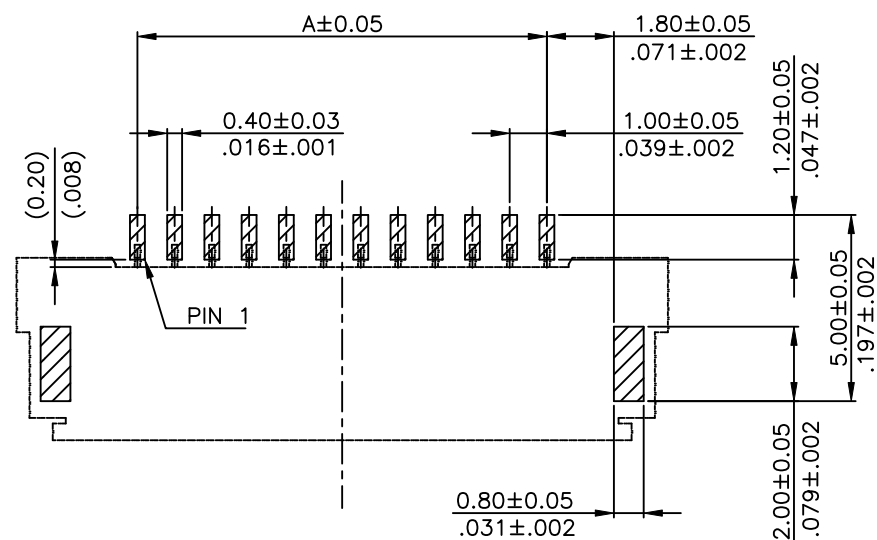
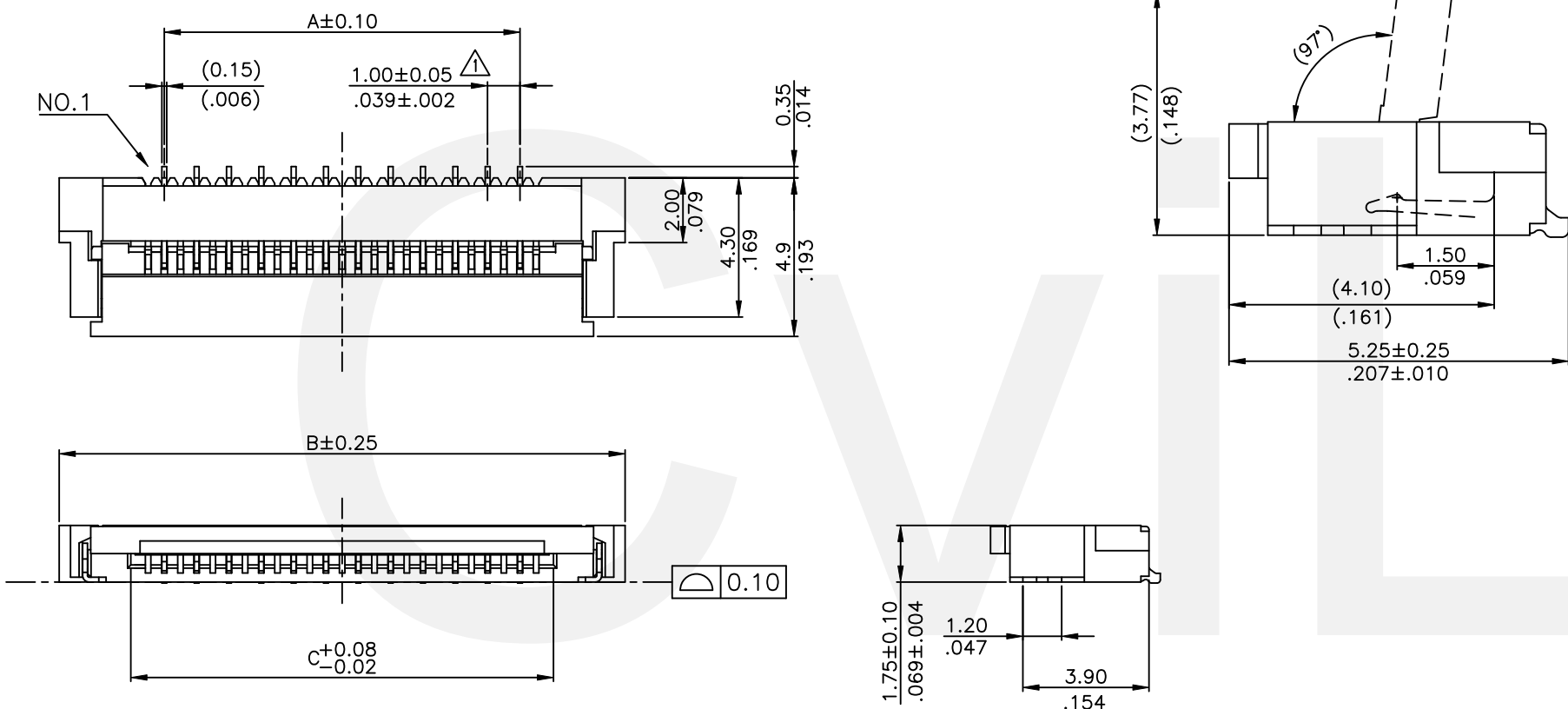
Material :

- \* Base: High temperature plastic UL94 V-0, Color Nature
- \* Cover: High temperature plastic UL94 V-0, Color Black
- \* Contact: Phosphor Bronze
- \* Fixed tab: Brass with 100μ” Min. Matte Tin plated over 50μ” Min. Nickel.

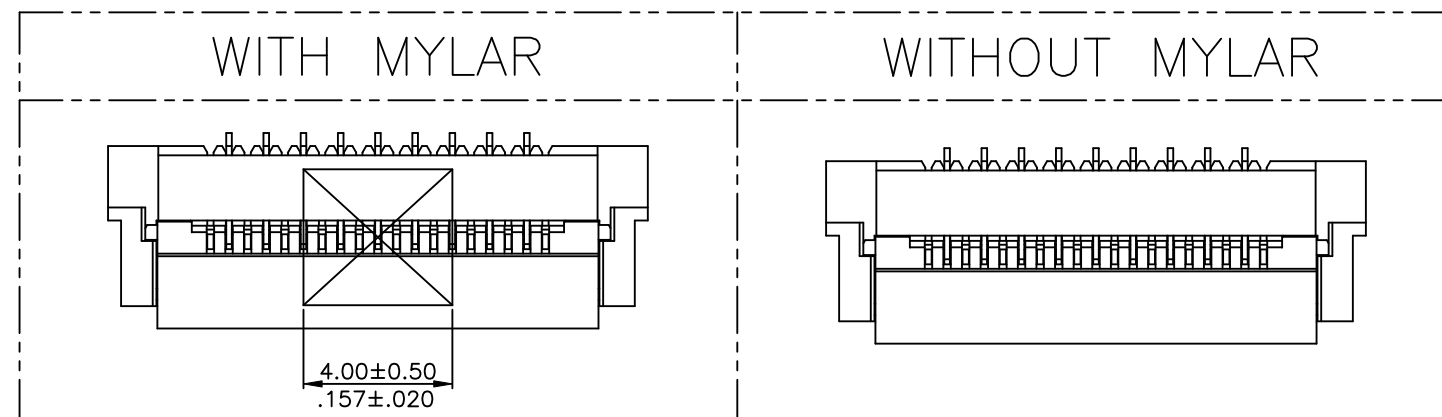
Ordering Code

CF61 \*\* \* D 0 \* \* -10 -NH  
 ① ② ③ ④ ⑤ ⑥ ⑦ ⑧ ⑨


- ① Series No.
- ② No. of Circuits
- ③ Plating code:
  - 1= 2.03um(80μ”) Min. Matte Tin Plating on Contact area and Solderails, 1.27μm(50μ”) Nickel Underplating over all
  - 2= 0.02μm(0.8μ”) Min. Gold Flash Plating on Contact area and Solderails, 1.27μm(50μ”) Nickel Underplating over all
- ④ Contact style: D= Downside contact
- ⑤ 0= Color Nature
- ⑥ Packing: R= Tape & Reel packing  
T= Tube Packing
- ⑦ Option: 0= Without Mylar  
M= With Mylar
- ⑧ -10= 1.0 Pitch
- ⑨ -NH= For Lead Free IR Reflow Processed and Halogen Free



RECOMMENDED PCB LAYOUT



Halogen-Free    Lead Free Process    RoHS Compliant

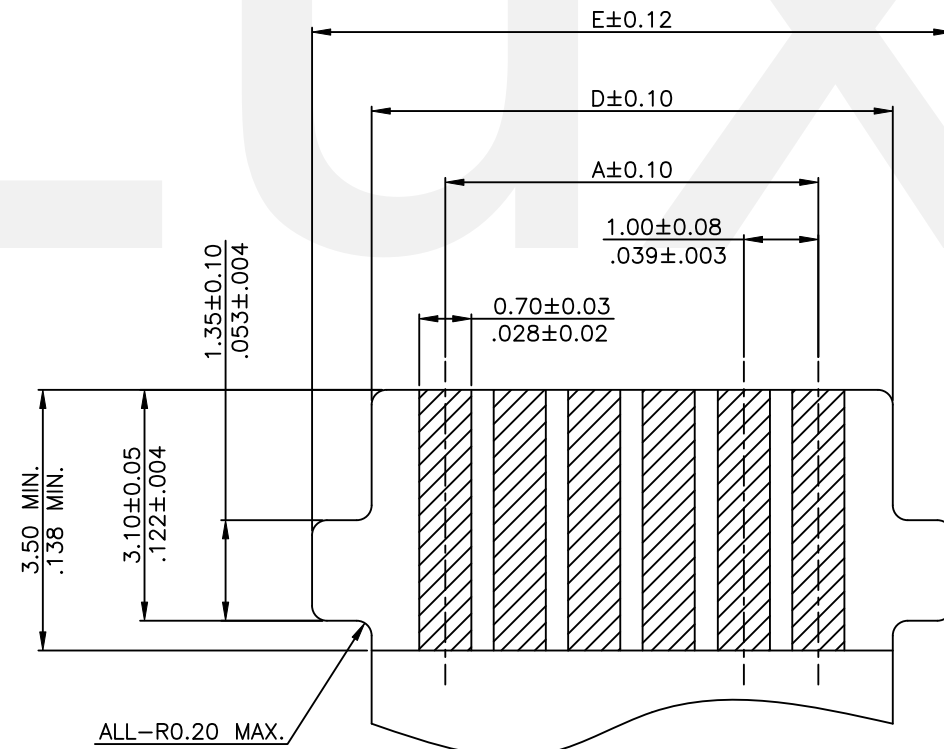
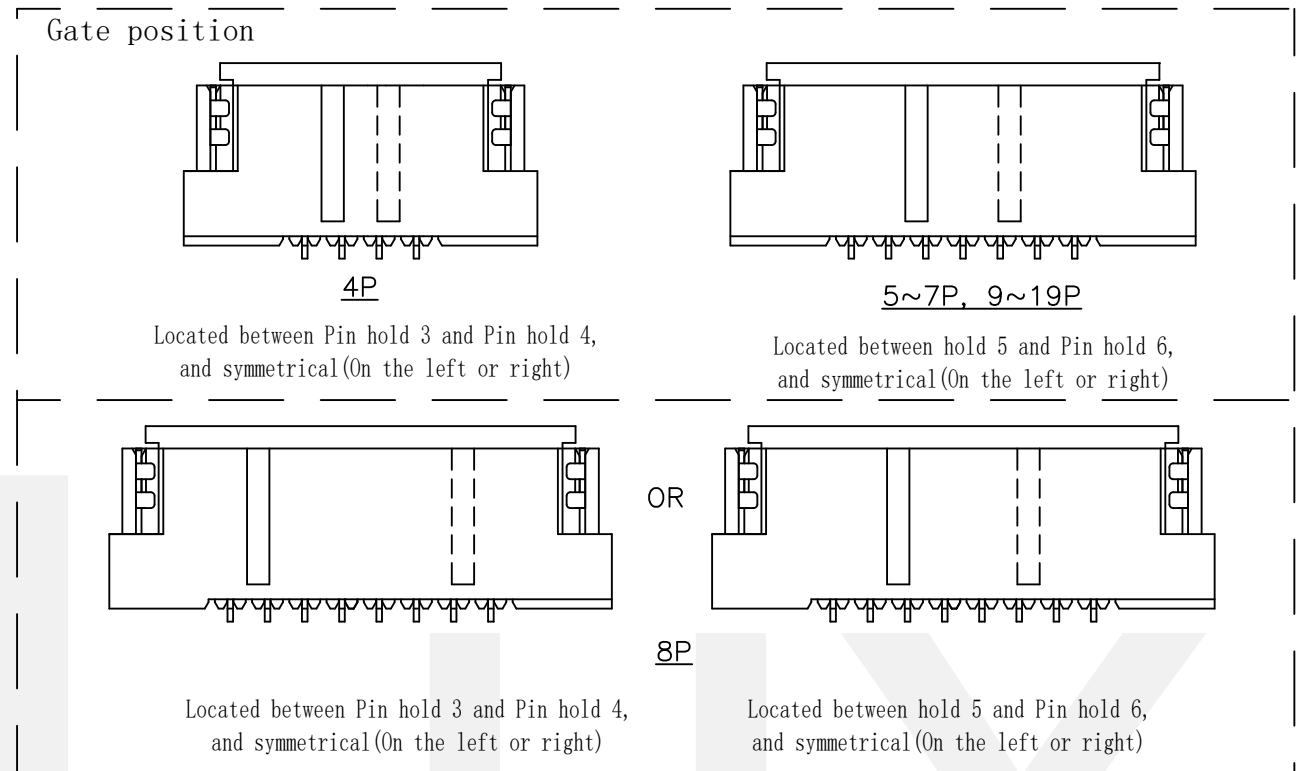
④						DATE	UNIT: mm / inch	TITLE: 1.00mm(.039") ZIF FFC/FPC ONE-TOUCH CONNECTOR	 瀚荃股份有限公司 CviLux Corporation
③	Sun	6/09-23'	ECRH123017/ECNT123107	DRAWN BY: Sun	8/01-23'		TOLERANCE UNLESS OTHERWISE SPECIFIED	MATERIAL:	
②	Sun	1/06-21'	ECNT121014	ENGINEER: Sun	8/01-23'		.X ± 0.25/.010    X.* ±	FINISH:	DRAWING NO. CF6102SD    PART NO. CF61***DOR0-10-NH
①	Ken	6/7-17'	ECNT117128	CHECKED BY: Eisley	8/01-23'		.XX ± 0.15/.006    .X.* ± 2"		SCALE 5 / 1    SHEET 1 OF 3
SYM	NAME	DATE	REVISIONS	APPROVED BY: Eisley	8/01-23'		.XXX ±    .XX.* ±		

**CviLux Corp**  
 2023/08/02  
 ISSUED

2

(N) NO. of TERMINALS	DIMENSIONS				
	A	B	C	D	E
* 4	3.00	9.50	5.07	5.00	6.60
5	4.00	10.50	6.07	6.00	7.60
6	5.00	11.50	7.07	7.00	8.60
7	6.00	12.50	8.07	8.00	9.60
* 8	7.00	13.50	9.07	9.00	10.60
9	8.00	14.50	10.07	10.00	11.60
10	9.00	15.50	11.07	11.00	12.60
11	10.00	16.50	12.07	12.00	13.60
12	11.00	17.50	13.07	13.00	14.60
13	12.00	18.50	14.07	14.00	15.60
14	13.00	19.50	15.07	15.00	16.60
15	14.00	20.50	16.07	16.00	17.60
16	15.00	21.50	17.07	17.00	18.60
17	16.00	22.50	18.07	18.00	19.60
18	17.00	23.50	19.07	19.00	20.60
19	18.00	24.50	20.07	20.00	21.60
20	19.00	25.50	21.07	21.00	22.60
21	20.00	26.50	22.07	22.00	23.60
22	21.00	27.50	23.07	23.00	24.60
23	22.00	28.50	24.07	24.00	25.60
24	23.00	29.50	25.07	25.00	26.60
25	24.00	30.50	26.07	26.00	27.60
26	25.00	31.50	27.07	27.00	28.60
27	26.00	32.50	28.07	28.00	29.60
28	27.00	33.50	29.07	29.00	30.60
29	28.00	34.50	30.07	30.00	31.60
30	29.00	35.50	31.07	31.00	32.60

\*= Available number of poles, Circuits not found above please consult manufacturer




THICKNESS:0.3±0.03)  
APPLICABLE FFC/FPC DIM.(REF)

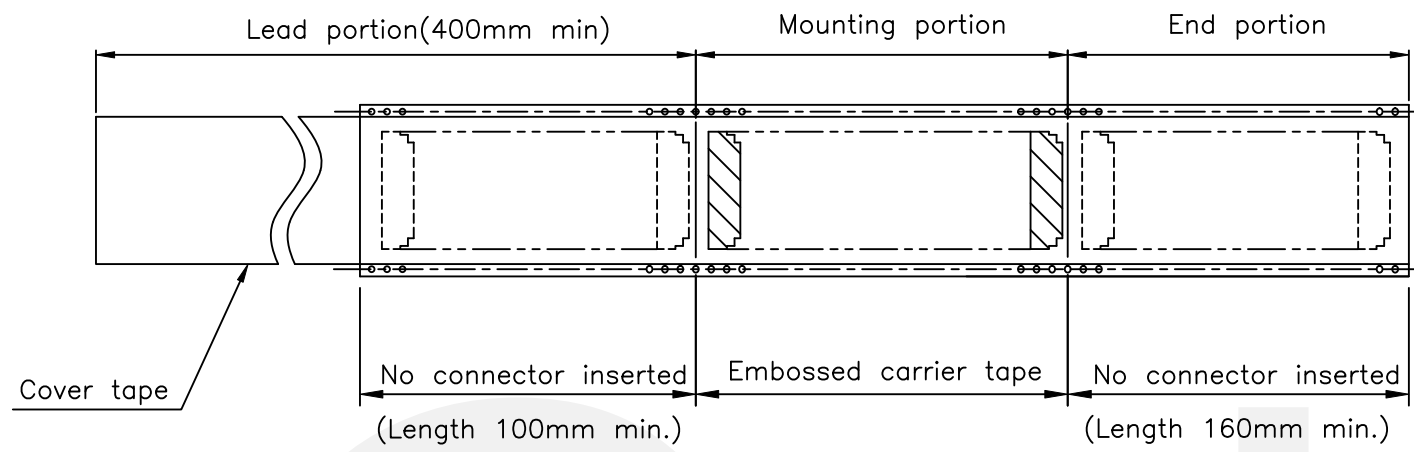
Halogen-Free

Lead Free Process

RoHS Compliant

4					DATE	UNIT: mm / inch	TITLE: 1.00mm(.039") ZIF FFC/FPC ONE-TOUCH CONNECTOR	 瀚荃股份有限公司 CviLux Corporation
3	Sun	6/09-23'	ECRH123017/ECNT123107	DRAWN BY: Sun	8/01-23'	TOLERANCE UNLESS OTHERWISE SPECIFIED	MATERIAL:	
2	Sun	1/06-21'	ECNT121014	ENGINEER: Sun	8/01-23'	.X ± 0.25/.010 X' ±	FINISH:	DRAWING NO. CF6102SD PART NO. CF61***DOR0-10-NH
1	Ken	6/7-17'	ECNT117128	CHECKED BY: Eisley	8/01-23'	.XX ± 0.15/.006 X' ± 2'		SCALE 5 / 1 SHEET 2 OF 3
SYM	NAME	DATE	REVISIONS	APPROVED BY: Eisley	8/01-23'	.XXX ±		

CviLux Corp  
2023/08/02  
ISSUED

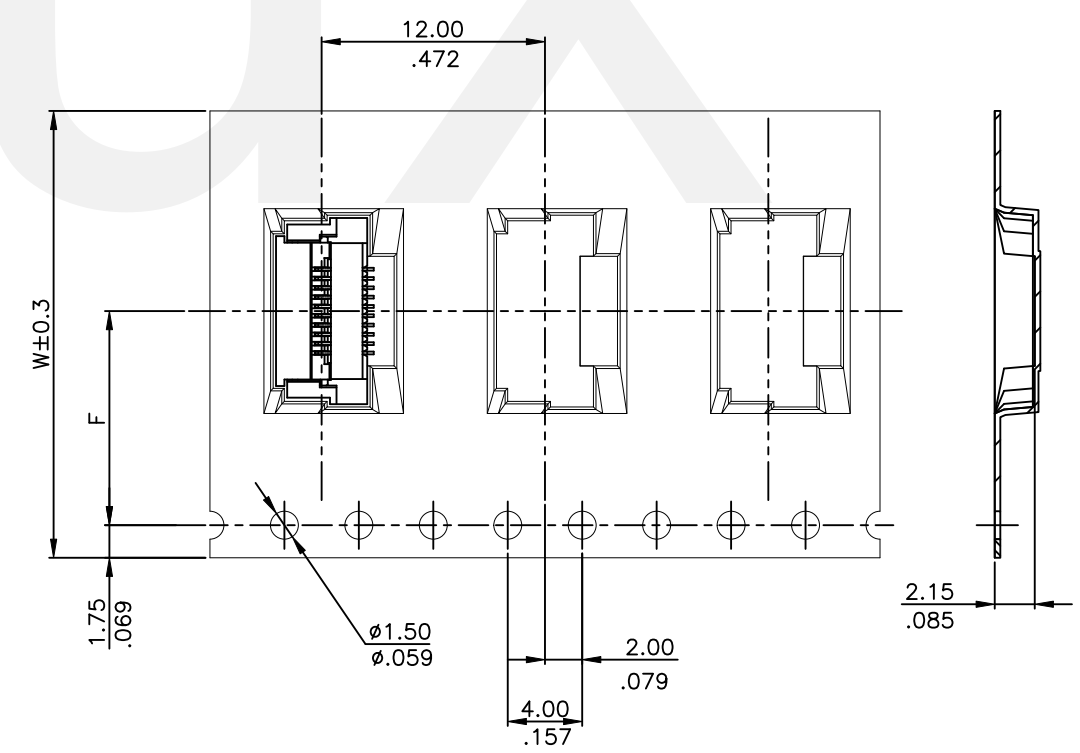
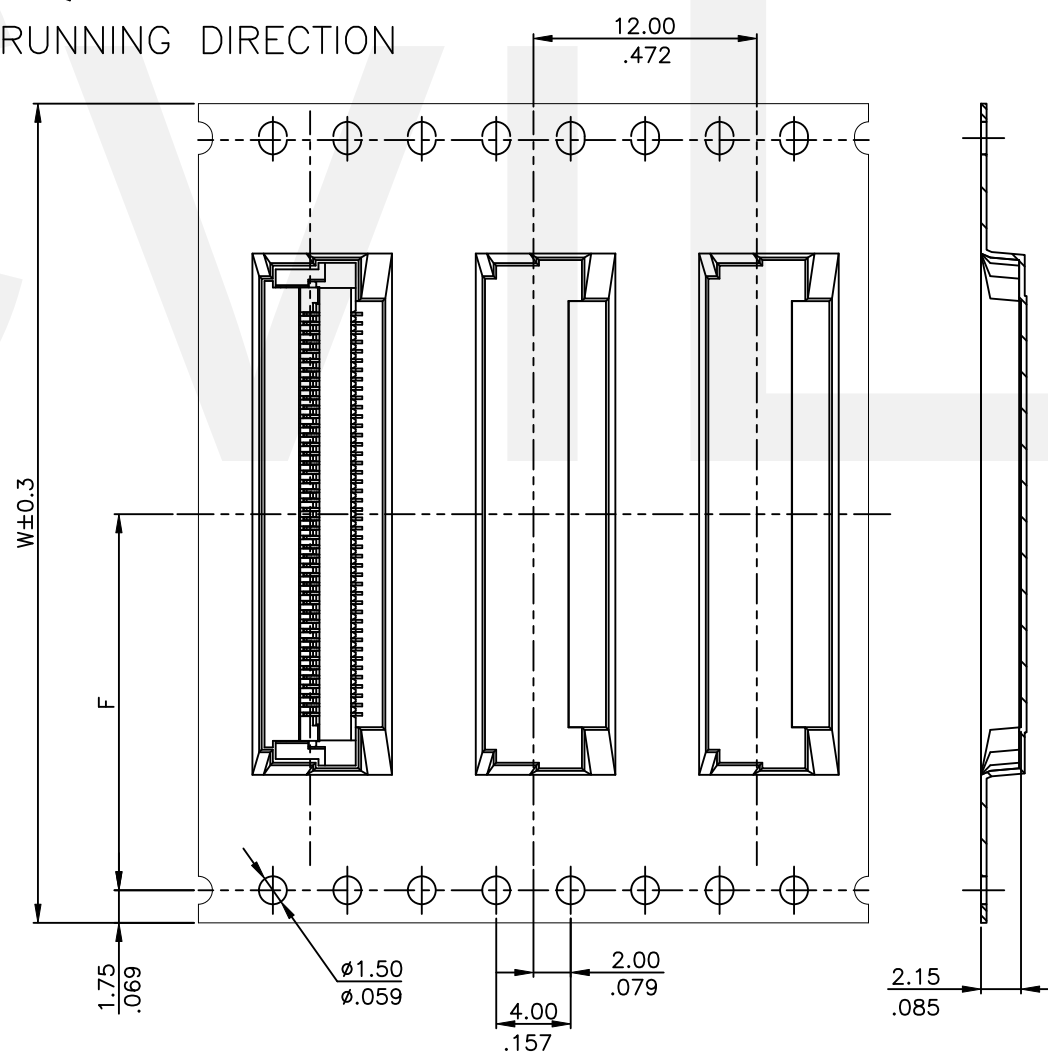
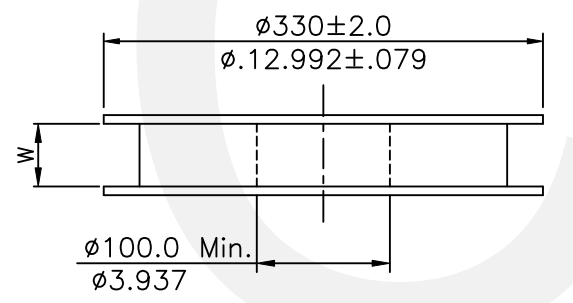


Notes:

1. 10 sprocket hole pitch cumulative tolerance  $\pm 0.2$
2. Material: Polystyrene.
3. All dimensions meet EIA-481-B requirements.
4. Quantity: 2000 Pcs/Reel

← TAPE RUNNING DIRECTION


Circuits	Dimension		Packing (Reel/Carton)
	W	F	
4-10	24.0(.945)	11.50(.453)	9
11-14	32.0(1.260)	14.20(.559)	7
15-24	44.0(1.732)	20.20(.795)	5
25-30	56.0(2.205)	26.20(1.031)	4



WIDTH : 32, 44, 56 mm Carrier

WIDTH : 24 mm Carrier

RoHS Compliant

4					DATE	UNIT: mm / inch	TITLE: 1.00mm(.039") ZIF FFC/FPC ONE-TOUCH CONNECTOR	 瀚荃股份有限公司 CviLux Corporation
3	Sun	6/09-23'	ECRH123017/ECNT123107	DRAWN BY: Sun	8/01-23'	TOLERANCE UNLESS OTHERWISE SPECIFIED	MATERIAL:	
2	Sun	1/06-21'	ECNT121014	ENGINEER: Sun	8/01-23'	.X $\pm 0.25/.010$ X' $\pm$	FINISH:	
1	Ken	6/7-17'	ECNT117128	CHECKED BY: Eisley	8/01-23'	.XX $\pm 0.15/.006$ X' $\pm 2'$	DRAWING NO. CF6102SD PART NO. CF61***DOR0-10-NH	
SYM	NAME	DATE	REVISIONS	APPROVED BY: Eisley	8/01-23'	.XXX $\pm$ XX' $\pm$	SCALE 5 / 1 SHEET 3 OF 3	

CviLux Corp  
 2023/08/02  
 ISSUED