

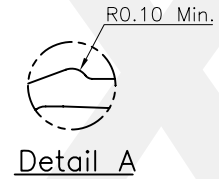
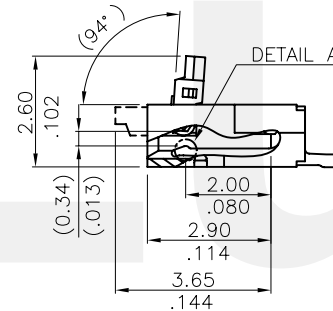
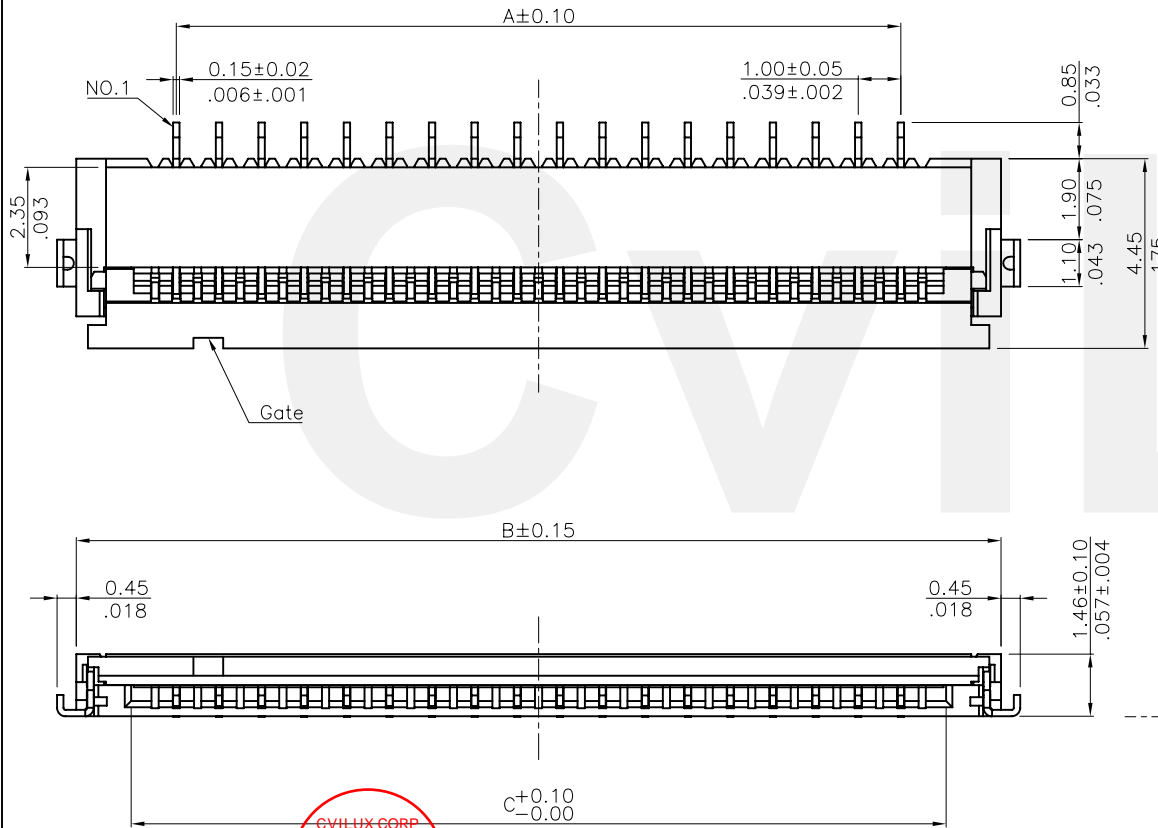
Material :

- * Body: High temperature plastic UL 94V-0, Color Nature
- * Cover: High temperature plastic UL 94V-0, Color Black
- * Contact: Phosphor Bronze
- Plating: See ordering code description
- * Fixed tab: Brass with 2.50 m(100 ") Min. Matte Tin Plated over 1.27 m(50 ") Min. Nickel

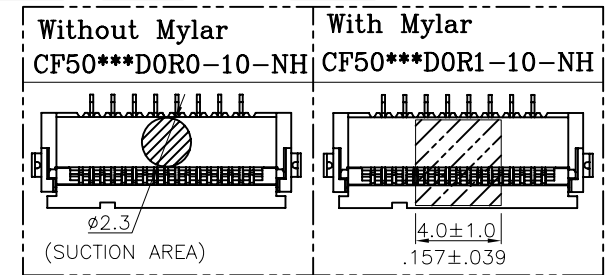
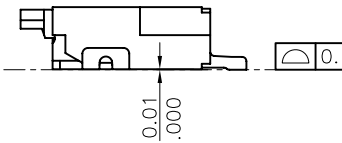
Ordering Code

CF50 ** * D 0 ** -10 -NH
 ① ② ③ ④ ⑤ ⑥ ⑦ ⑧

- ① Series No.
- ② No. of Circuits:
- ③ Plating code:
 1= 2.50 m(100 ") Min. Matte Tin Plating on Contact area and Solderails, 1.27 m(50 ") Nickel Underplating over all F= 0.02 m(0.8 ") Min. Gold Flash Plating on Contact area and Solderails, 1.27 m(50 ") Nickel Underplating over all
- ④ Contact style: D= Downside contact
- ⑤ 0= Color Nature
- ⑥ Packing: R0= Tape & Reel(3KPcs/Reel) ,Without Mylar
 R1= Tape & Reel(3KPcs/Reel) ,With Mylar
- ⑦ -10= 1.0 Pitch
- ⑧ -NH=For Lead Free IR Processed and Halogen Free



Cover open status




Halogen-Free

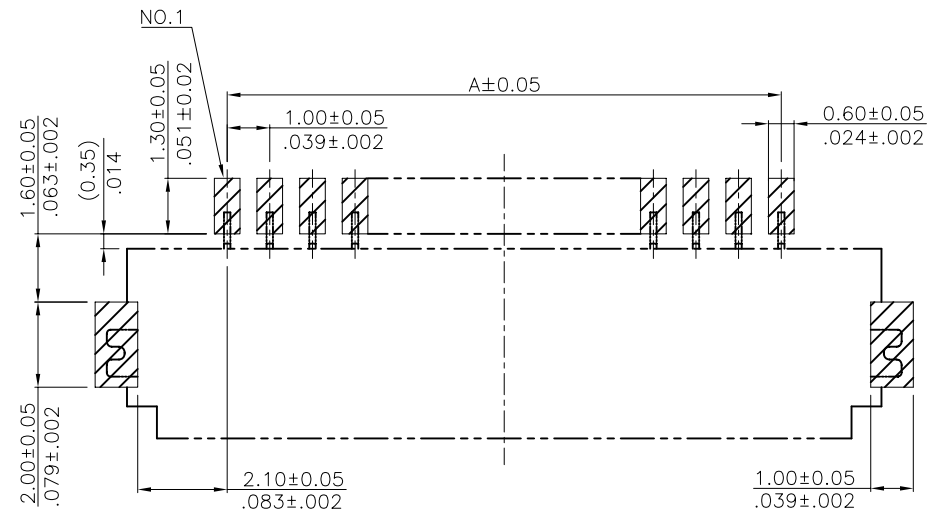
Lead Free Process

RoHS compliant

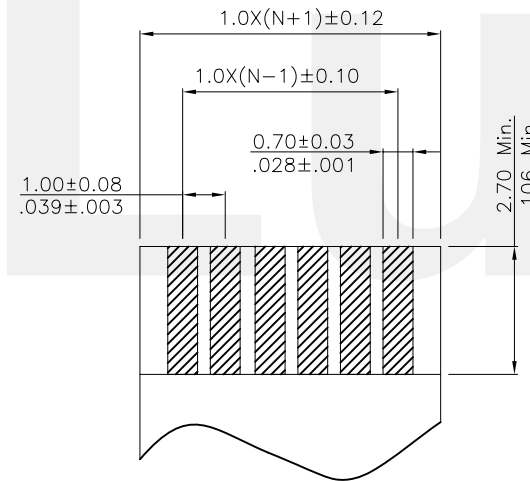
CVILUX CORP
 2014.11.14
 ISSUED

④						DATE	UNIT: mm / inch	TITLE: 1.00mm(.039") ZIF FFC/FPC ONE-TOUCH CONNECTOR	 瀚荃股份有限公司 CviLux Corporation
③	Clarie	10/6-14'	ECRT214034/ECNT214065	DRAWN BY:	Claire	11/10-14"	TOLERANCE UNLESS OTHERWISE SPECIFIED	MATERIAL:	
②	Clarie	11/11-13'	ECRT213001/ECRT213004 ECNT213013	ENGINEER:	Francis	11/10-14"	.X ± 0.20/.008 X' ± 1'	FINISH:	
①	Clarie	9/12-12'	ECN12057-5	CHECKED BY:	Jerry	11/10-14"	.XX ± 0.15/.006 X" ±		
SYM	NAME	DATE	REVISIONS	APPROVED BY:	Scott	11/10-14"	.XXX ± XX ±		
			DRAWING NO.		CF5001SC	PART NO.		CF50***D0**-10-NH	DRAWING NO.
			SCALE		8 / 1	SHEET		1 OF 3	

Circuits (N)	Dimension					
	A		B		C	
4	3.00	(.118)	7.70	(.303)	5.12	(.202)
5	4.00	(.158)	8.70	(.343)	6.12	(.241)
6	5.00	(.197)	9.70	(.382)	7.12	(.281)
7	6.00	(.236)	10.70	(.422)	8.12	(.320)
8	7.00	(.276)	11.70	(.461)	9.12	(.359)
9	8.00	(.315)	12.70	(.500)	10.12	(.399)
10	9.00	(.355)	13.70	(.540)	11.12	(.438)
11	10.00	(.394)	14.70	(.579)	12.12	(.478)
12	11.00	(.433)	15.70	(.619)	13.12	(.517)
13	12.00	(.473)	16.70	(.658)	14.12	(.556)
14	13.00	(.512)	17.70	(.697)	15.12	(.596)
15	14.00	(.552)	18.70	(.737)	16.12	(.635)
16	15.00	(.591)	19.70	(.776)	17.12	(.675)
17	16.00	(.630)	20.70	(.816)	18.12	(.714)
18	17.00	(.670)	21.70	(.855)	19.12	(.753)
19	18.00	(.709)	22.70	(.894)	20.12	(.793)
20	19.00	(.749)	23.70	(.934)	21.12	(.832)
21	20.00	(.788)	24.70	(.973)	22.12	(.872)
22	21.00	(.827)	25.70	(1.013)	23.12	(.911)
23	22.00	(.867)	26.70	(1.052)	24.12	(.950)
24	23.00	(.906)	27.70	(1.091)	25.12	(.990)
25	24.00	(.946)	28.70	(1.131)	26.12	(1.029)
26	25.00	(.985)	29.70	(1.170)	27.12	(1.069)
27	26.00	(1.024)	30.70	(1.210)	28.12	(1.108)
28	27.00	(1.064)	31.70	(1.249)	29.12	(1.147)
29	28.00	(1.103)	32.70	(1.288)	30.12	(1.187)
30	29.00	(1.143)	33.70	(1.328)	31.12	(1.226)



Recommended PCB Layout




(THICKNESS: 0.3±0.03)
APPLICABLE FFC/FPC DIM.

Halogen-Free

Lead Free Process

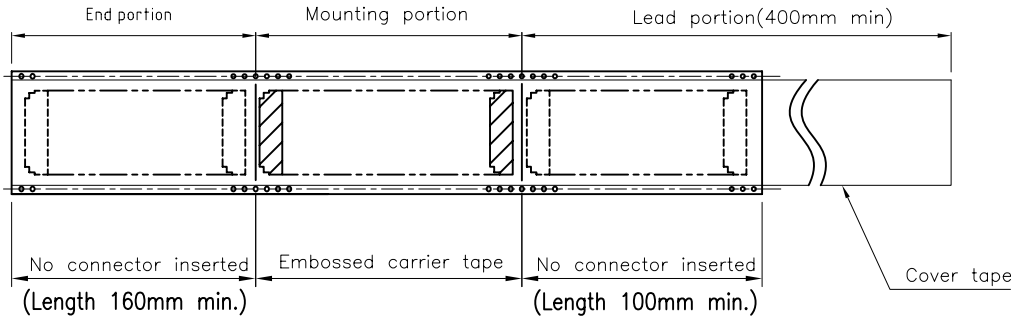
RoHS Compliant



4					DATE	UNIT: mm / inch	TITLE: 1.00mm(.039") ZIF FFC/FPC ONE-TOUCH CONNECTOR	 瀚荃股份有限公司 CviLux Corporation
3	Clarie	10/6-14'	ECRT214034/ECNT214065	DRAWN BY: Claire	11/10-14"	TOLERANCE UNLESS OTHERWISE SPECIFIED	MATERIAL:	
2	Clarie	11/11-13'	ECRT213001/ECRT213004 ECNT213013	ENGINEER: Francis	11/10-14"	.X ± 0.20/.008 X' ± 1'	FINISH:	DRAWING NO. CF5001SC PART NO. CF50***D0**-10-NH
1	Clarie	9/12-12'	ECN12057-5	CHECKED BY: Jerry	11/10-14"	.XX ± 0.15/.006 X' ±		SCALE 8 / 1 SHEET 2 OF 3
SYM	NAME	DATE	REVISIONS	APPROVED BY: Scott	11/10-14"	.XXX ± .XX ±		

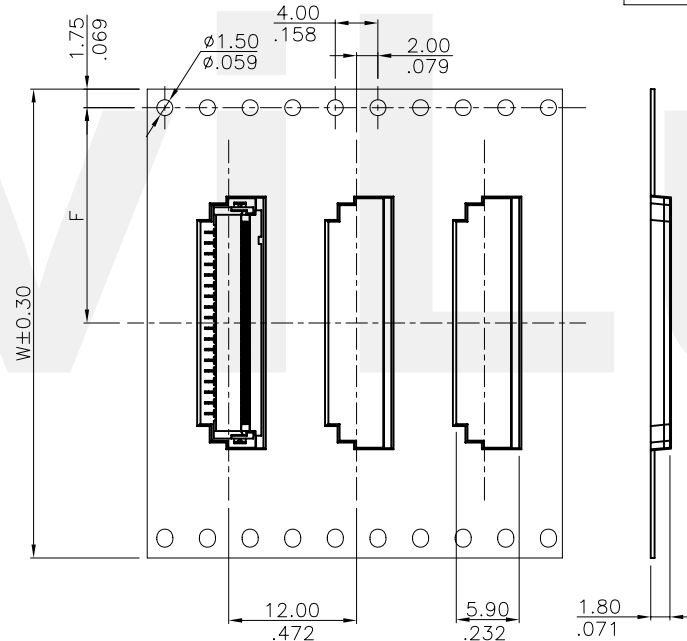
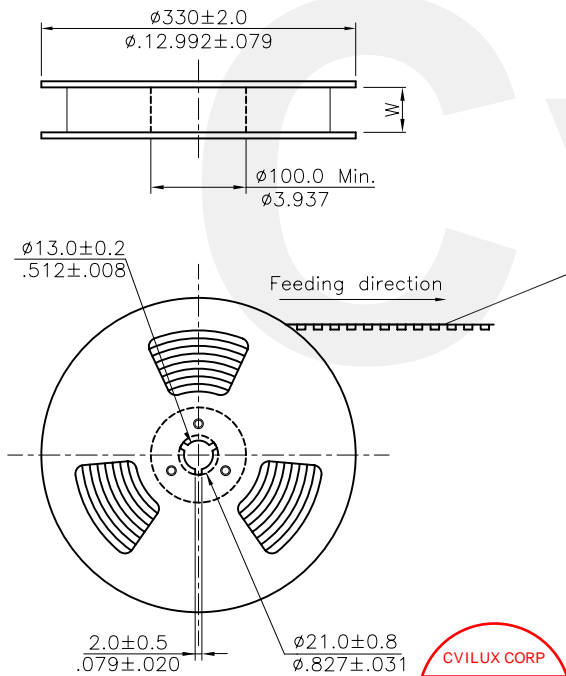
Notes:

1. 10 sprocket hole pitch cumulative tolerance ± 0.2
2. Material: Polystyrene.
3. Quantity: 3000 Pcs/Reel
4. All dimensions meet EIA-481-B requirements.

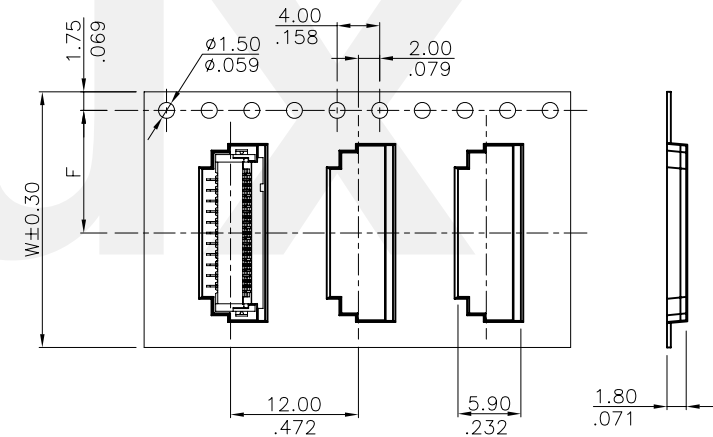


TAPE RUNNING DIRECTION

Circuits	Dimension		Packing (Reel/Caton)
	W	F	
4-11	24.0(.945)	11.50(.453)	9
12-15	32.0(1.260)	14.20(.559)	7
16-27	44.0(1.732)	20.20(.795)	5
28-30	56.0(2.205)	26.20(1.031)	4



WIDTH : 32,44,56 mm Carrier



WIDTH : 24 mm Carrier

RoHS Compliant

CIVILUX CORP
2014.11.14
ISSUED

REEL DIMENSIONS

4	3	2	1	SYM	NAME	DATE	REVISIONS	APPROVED BY:	SCOTT	DATE	11/10-14"	UNIT: mm / inch	TITLE: 1.00mm(.039") ZIF FFC/FPC ONE-TOUCH CONNECTOR	MATERIAL:	FINISH:	DRAWING NO.	CF5001SC	PART NO.	CF50***D0**-10-NH	SCALE	8 / 1	SHEET	3 OF 3
	Clarie	10/6-14'	ECRT214034/ECNT214065	DRAWN BY:	Claire	11/10-14"																	
	Clarie	11/11-13'	ECRT213001/ECRT213004 ECNT213013	ENGINEER:	Francis	11/10-14"																	
	Clarie	9/12/12'	ECN12057-5	CHECKED BY:	Jerry	11/10-14"																	

瀚荃股份有限公司
CviLux Corporation