

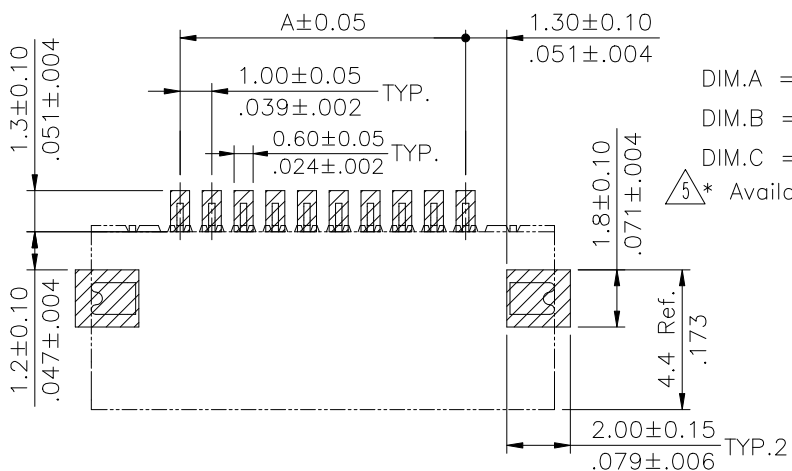
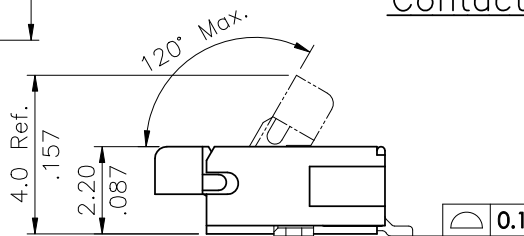
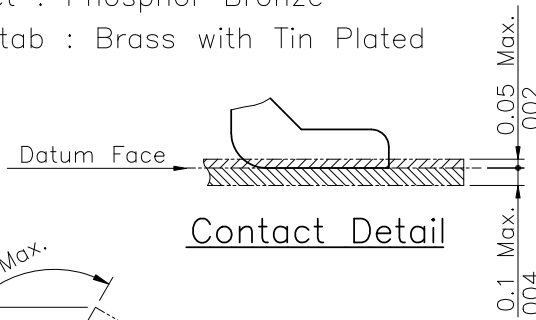
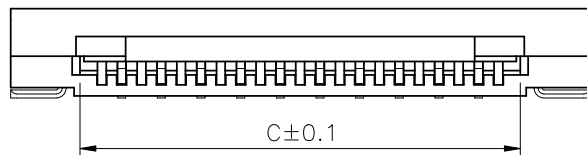
Material :

- * Body : Nylon 6T With 30% GF. UL 94V-0, Color Nature
- * Slider : Nylon 6T With 30% GF. UL 94V-0, Color Black
- * Contact : Phosphor Bronze
- * Fixed tab : Brass with Tin Plated

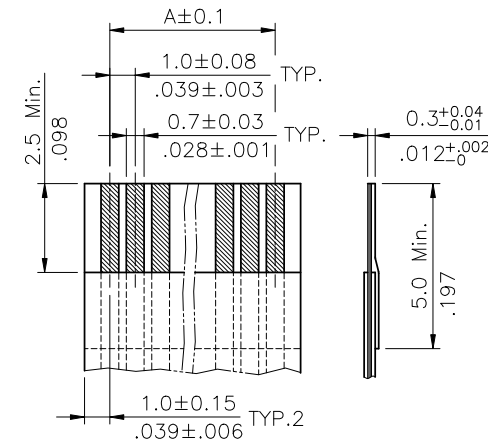
Ordering Code

CF25 ** 1 D 0 *0 - 10 -NH
 ① ② ③ ④ ⑤ ⑥ ⑦ ⑧

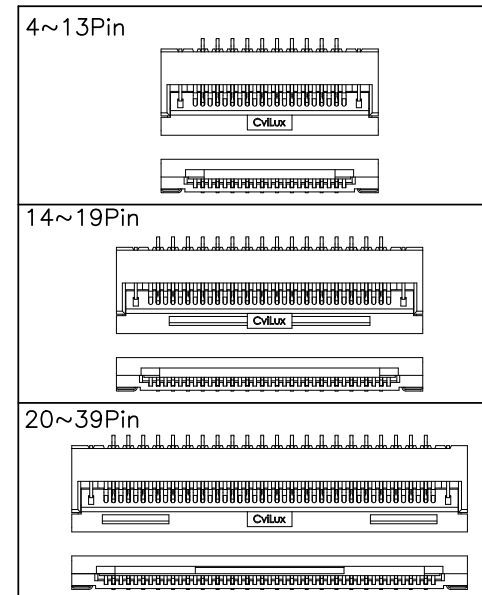
- ① Series No.
- ② No. of Circuits
- ③ Plating code:
1= Matte Tin plated over Nickel
2= Gold flash over 50 μ "min. Nickel
- ④ Contact style: D= Downside contact
- ⑤ Color: 0= Nature
- ⑥ Other option: R0= Tape & Reel
T0= Tube Packing
- ⑦ Pitch: 10= 1.00 mm
- ⑧ -NH= For Lead Free IR Processes and Halogen-Free



DIM.A = 1.00 x No. of Spaces
 DIM.B = DIM.A + 5.6
 DIM.C = DIM.A + 2.1
 * Available in 4 through 32 circuits



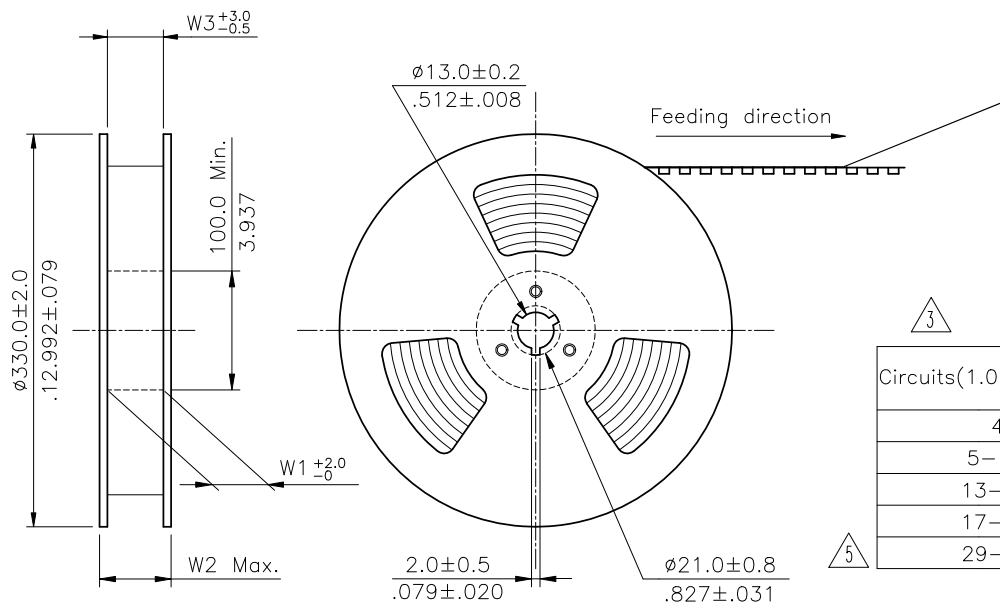
Accommodated FFC/FPC



Recommended P.C. Board Layout

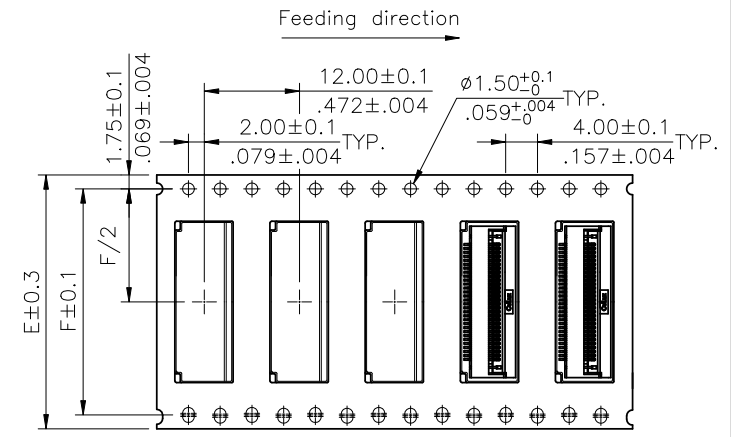
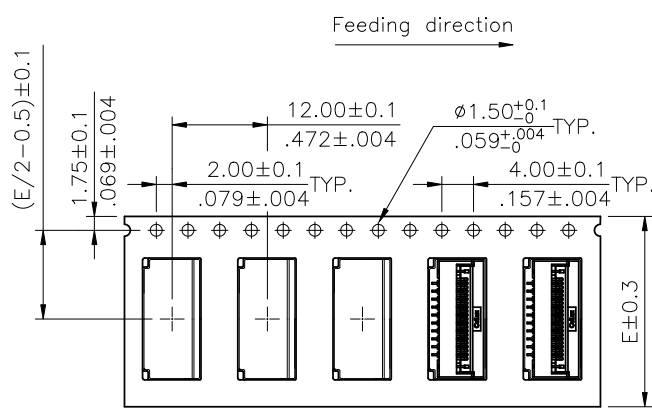
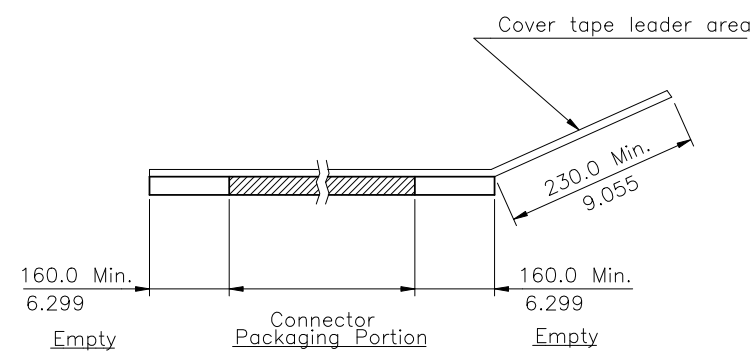
Halogen-Free Lead Free Process RoHS compliant

⑤	Karen	2/08-22'		DATE	UNIT: mm / inch	TITLE: 1.00mm(.039") ZIF FFC/FPC ONE-TOUCH CONNECTOR	瀚荃股份有限公司 CviLux Corporation
④	Sandy	3/8-16'	ECNT116028/ECRB116002	DRAWN BY: Karen	2/08-22'	TOLERANCE UNLESS OTHERWISE SPECIFIED	
③	Enya	11/06-12'	ECN12272-0/ECR12080-1	ENGINEER:		MATERIAL:	DRAWING NO. CF2519SF PART NO. CF25***D0*0-10-NH
②	Sun	9/24-09'	ECR09103-1/ECN09480	CHECKED BY:		FINISH:	
SYM	NAME	DATE	REVISIONS	APPROVED BY:			SCALE 5 / 1 SHEET 1 OF 2



- NOTES:
1. 10 sprocket hole pitch cumulative tolerance ± 0.20
 2. Carrier camber is within 1 mm in 250 mm.
 3. Material :Transparent Anti-static Polysyrene.
 4. All dimensions meet EIA-481 requirements.
 5. Thickness : $0.35 \pm 0.05 \text{ mm}$.
 6. Component load per 13" Reel : 2000 pcs.

Circuits(1.0mm Pitch)	Dimension					Packing (Reel/Carton)
	E	F	W1	W2	W3	
4	16.0(.630)	—	16.5(.650)	22.5(.885)	16.5(.650)	11
5-12	24.0(.945)	—	24.5(.965)	30.5(1.200)	24.5(.965)	9
13-16	32.0(1.260)	28.40(1.118)	32.5(1.280)	38.5(1.516)	32.5(1.280)	7
17-28	44.0(1.732)	40.40(1.596)	44.5(1.752)	50.5(1.988)	44.5(1.752)	5
29-32	56.0(2.204)	52.50(2.067)	56.5(2.224)	62.5(2.460)	56.5(2.224)	4



WIDTH : 16.24 mm Carrier

WIDTH : 32.44,56 mm Carrier

RoHS Compliant

SYM	NAME	DATE	REVISIONS	APPROVED BY:	DATE	UNIT: mm / inch	TITLE: 1.00mm(.039") ZIF FFC/FPC ONE-TOUCH CONNECTOR	MATERIAL:	DRAWING NO. CF2519SF	PART NO. CF25**1D0*0-10-NH
5	Karen	2/08-22'								
4	Sandy	3/8-16'	ECNT116028/ECRB116002	DRAWN BY: Karen	2/08-22'					
3	Enya	11/06-12'	ECN12272-0/ECR12080-1	ENGINEER:						
2	Sun	9/24-09'	ECRO9103-1/ECN09480	CHECKED BY:						
				APPROVED BY:						
						.X ±	X' ± I'		SCALE	SHEET 2 OF 2
						.XX ±	.X' ±			
						.XXX ±	.XX' ±			

