

CBR25-010P SERIES

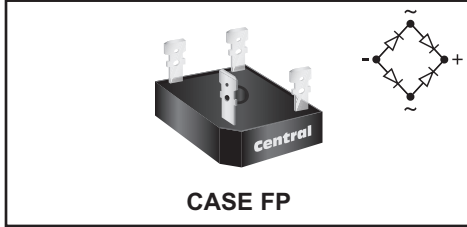
**SILICON BRIDGE RECTIFIERS
25 AMP, 100 THRU 1000 VOLT**



www.centrasemi.com

DESCRIPTION:

The CENTRAL SEMICONDUCTOR CBR25-010P series devices are silicon, single phase, full wave bridge rectifiers designed for general purpose applications. The molded epoxy case has a built-in metal baseplate for heat sink mounting. The device utilizes standard 0.25" FASTON terminals.



MARKING: FULL PART NUMBER

MAXIMUM RATINGS: ($T_A=25^\circ\text{C}$ unless otherwise noted)

| | | CBR25 | | | | | | |
|--|----------------|--------------|--------------|--------------|--------------|--------------|--------------|----------------------|
| | SYMBOL | -010P | -020P | -040P | -060P | -080P | -100P | UNITS |
| Peak Repetitive Reverse Voltage | V_{RRM} | 100 | 200 | 400 | 600 | 800 | 1000 | V |
| DC Blocking Voltage | V_R | 100 | 200 | 400 | 600 | 800 | 1000 | V |
| RMS Reverse Voltage | $V_{R(RMS)}$ | 70 | 140 | 280 | 420 | 560 | 700 | V |
| Average Forward Current ($T_C=60^\circ\text{C}$) | I_O | | | | 25 | | | A |
| Peak Forward Surge Current | I_{FSM} | | | | 350 | | | A |
| I^2t Rating for Fusing ($1\text{ms}<t<8.3\text{ms}$) | I^2t | | | | 375 | | | A^2s |
| RMS Isolation Voltage (case to lead) | V_{iso} | | | | 2500 | | | Vac |
| Operating and Storage Junction Temperature | T_J, T_{stg} | | | | -65 to +150 | | | $^\circ\text{C}$ |
| Thermal Resistance | θ_{JC} | | | | 1.9 | | | $^\circ\text{C/W}$ |

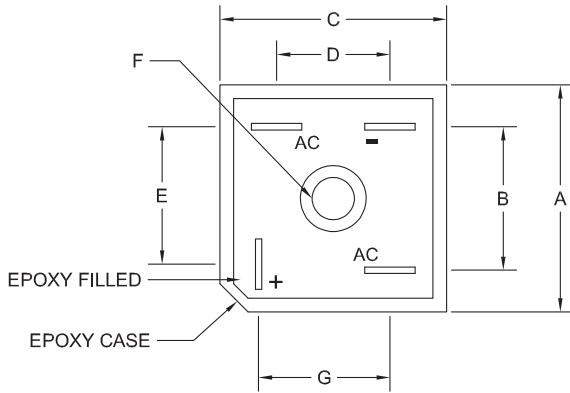
ELECTRICAL CHARACTERISTICS PER DIODE: ($T_A=25^\circ\text{C}$ unless otherwise noted)

| SYMBOL | TEST CONDITIONS | TYP | MAX | UNITS |
|---------------|--|------------|------------|---------------|
| I_R | $V_R=\text{Rated } V_{RRM}$ | | 10 | μA |
| I_R | $V_R=\text{Rated } V_{RRM}, T_A=125^\circ\text{C}$ | | 500 | μA |
| V_F | $I_F=12.5\text{A}$ | | 1.2 | V |
| C_J | $V_R=4.0\text{V}, f=1.0\text{MHz}$ | 300 | | pF |

CBR25-010P SERIES
SILICON BRIDGE RECTIFIERS
25 AMP, 100 THRU 1000 VOLT



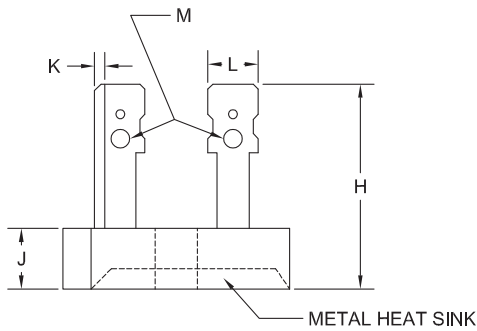
CASE FP - MECHANICAL OUTLINE



| DIMENSIONS | | | | |
|------------|--------|-------|-------------|-------|
| SYMBOL | INCHES | | MILLIMETERS | |
| | MIN | MAX | MIN | MAX |
| A | 1.115 | 1.135 | 28.32 | 28.83 |
| B | 0.688 | 0.732 | 17.50 | 18.59 |
| C | 1.115 | 1.135 | 28.32 | 28.83 |
| D | 0.542 | 0.582 | 13.77 | 14.78 |
| E | 0.618 | 0.672 | 15.70 | 17.07 |
| F (DIA.) | 0.200 | 0.220 | 5.08 | 5.59 |
| G | 0.632 | 0.672 | 16.05 | 17.07 |
| H | 0.740 | 0.849 | 18.80 | 21.58 |
| J | 0.290 | 0.334 | 7.37 | 8.50 |
| K | 0.027 | 0.035 | 0.71 | 0.91 |
| L | 0.250 | | 6.35 | |
| M (DIA.) | 0.940 | | 2.39 | |

CASE FP (REV:R2)

MARKING: FULL PART NUMBER



R2

R3 (24-June 2013)

OUTSTANDING SUPPORT AND SUPERIOR SERVICES



PRODUCT SUPPORT

Central's operations team provides the highest level of support to insure product is delivered on-time.

- Supply management (Customer portals)
- Inventory bonding
- Consolidated shipping options
- Custom bar coding for shipments
- Custom product packing

DESIGNER SUPPORT/SERVICES

Central's applications engineering team is ready to discuss your design challenges. Just ask.

- Free quick ship samples (2nd day air)
- Online technical data and parametric search
- SPICE models
- Custom electrical curves
- Environmental regulation compliance
- Customer specific screening
- Up-screening capabilities
- Special wafer diffusions
- PbSn plating options
- Package details
- Application notes
- Application and design sample kits
- Custom product and package development

REQUESTING PRODUCT PLATING

1. If requesting Tin/Lead plated devices, add the suffix "TIN/LEAD" to the part number when ordering (example: 2N2222A TIN/LEAD).
2. If requesting Lead (Pb) Free plated devices, add the suffix "PBFREE" to the part number when ordering (example: 2N2222A PBFREE).

CONTACT US

Corporate Headquarters & Customer Support Team

Central Semiconductor Corp.
145 Adams Avenue
Hauppauge, NY 11788 USA
Main Tel: (631) 435-1110
Main Fax: (631) 435-1824
Support Team Fax: (631) 435-3388
www.centrasemi.com

Worldwide Field Representatives:
www.centrasemi.com/wwreps

Worldwide Distributors:
www.centrasemi.com/wwdistributors

For the latest version of Central Semiconductor's **LIMITATIONS AND DAMAGES DISCLAIMER**, which is part of Central's Standard Terms and Conditions of sale, visit: www.centrasemi.com/terms

Product End of Life Notification

| | |
|---------------------------|----------|
| PDN ID: | PDN01007 |
| Notification Date: | 11/02/15 |
| Last Buy Date: | 5/02/16 |
| Last Shipment Date | 11/02/16 |

Summary: All bridge rectifiers manufactured in the CASE FP package with the exception of part # CBR35-060P are discontinued and now classified as End of Life (EOL).

Although Central Semiconductor Corp. makes every effort to continue to produce devices that have been proclaimed EOL (End of Life) by various manufacturers, it is an accepted industry practice to discontinue certain devices when customer demand falls below a minimum level of sustainability. Accordingly, the following product(s) have been transitioned to End of Life status as part of Central's Product Management Process. Any replacement product will be noted below. The effective date for placing the last purchase order will be six(6) months from the date of this notice and twelve(12) months from the notice date for final shipments; this may be extended if inventory is available.

| <u>Central Part Number</u> | <u>Replacement</u> |
|----------------------------|--------------------|
| CBR10-010P | CBR35-060P |
| CBR10-020P | CBR35-060P |
| CBR10-040P | CBR35-060P |
| CBR10-060P | CBR35-060P |
| CBR10-080P | CBR35-060P |
| CBR10-100P | CBR35-060P |
| CBR10A-080P | N/A |
| CBR10F-010P | N/A |
| CBR10F-020P | N/A |
| CBR10F-040P | N/A |
| CBR10F-060P | N/A |
| CBR25-010P | CBR35-060P |
| CBR25-020P | CBR35-060P |
| CBR25-040P | CBR35-060P |
| CBR25-060P | CBR35-060P |
| CBR25-080P | CBR35-060P |
| CBR25-100P | CBR35-060P |
| CBR25F-010P | N/A |
| CBR25F-020P | N/A |
| CBR25F-040P | N/A |
| CBR25F-060P | N/A |
| CBR35-010P | CBR35-060P |
| CBR35-020P | CBR35-060P |
| CBR35-040P | CBR35-060P |
| CBR35-080P | CBR35-060P |
| CBR35-100P | CBR35-060P |
| CBR35A-020P | N/A |
| CBR35F-010P | N/A |
| CBR35F-020 | N/A |
| CBR35F-020P | N/A |
| CBR35F-040P | N/A |
| CBR35F-060P | N/A |
| CBR50-020P | N/A |
| CBR50-060P | N/A |
| CEN1135 | N/A |

*** CONTINUED ***

DISCLAIMER: This End of Life (EOL) notification is in accordance with JEDEC standard JESD48 - Product Discontinuance. Central Semiconductor Corp. will make every effort to offer life-time buy (LTB) opportunities and/or offer replacement devices to existing customers for discontinued devices, however, one or both may not be possible for all devices. Please contact your local Central Semiconductor sales representative for LTB opportunities/additional information.



<http://www.centrasemi.com>

Product End of Life Notification

| | |
|---------------------------|----------|
| PDN ID: | PDN01007 |
| Notification Date: | 11/02/15 |
| Last Buy Date: | 5/02/16 |
| Last Shipment Date | 11/02/16 |

*** CONTINUED FROM PRIOR PAGE ***

| <u>Central Part Number</u> | <u>Replacement</u> |
|----------------------------|--------------------|
|----------------------------|--------------------|

Central would be happy to assist you by providing additional information or technical data to help locate an alternate source if we have no replacement available. Please email your requests to engineering@centrasemi.com.

DISCLAIMER: This End of Life (EOL) notification is in accordance with JEDEC standard JESD48 - Product Discontinuance. Central Semiconductor Corp. will make every effort to offer life-time buy (LTB) opportunities and/or offer replacement devices to existing customers for discontinued devices, however, one or both may not be possible for all devices. Please contact your local Central Semiconductor sales representative for LTB opportunities/additional information.



<http://www.centrasemi.com>

Product End of Life Notification

| | |
|---------------------------|----------|
| PDN ID: | PDN01012 |
| Notification Date: | 12/14/15 |
| Last Buy Date: | 6/14/16 |
| Last Shipment Date | 12/14/16 |

Summary: All bridge rectifiers manufactured in the CASE FPW package with the exception of part #'s CBR35-020PW and CBR35-100PW are discontinued and now classified as End of Life (EOL).

Although Central Semiconductor Corp. makes every effort to continue to produce devices that have been proclaimed EOL (End of Life) by various manufacturers, it is an accepted industry practice to discontinue certain devices when customer demand falls below a minimum level of sustainability. Accordingly, the following product(s) have been transitioned to End of Life status as part of Central's Product Management Process. Any replacement product will be noted below. The effective date for placing the last purchase order will be six(6) months from the date of this notice and twelve(12) months from the notice date for final shipments; this may be extended if inventory is available.

| <u>Central Part Number</u> | <u>Replacement</u> |
|----------------------------|--------------------|
| CBR10-010PW | CBR35-020PW |
| CBR10-020PW | CBR35-020PW |
| CBR10-040PW | CBR35-100PW |
| CBR10-060PW | CBR35-100PW |
| CBR10-080PW | CBR35-100PW |
| CBR10-100PW | CBR35-100PW |
| CBR25-010PW | CBR35-020PW |
| CBR25-020PW | CBR35-020PW |
| CBR25-040PW | CBR35-100PW |
| CBR25-060PW | CBR35-100PW |
| CBR25-080PW | CBR35-100PW |
| CBR25-100PW | CBR35-100PW |
| CBR35-010PW | CBR35-020PW |
| CBR35-040PW | CBR35-100PW |
| CBR35-060PW | CBR35-100PW |
| CBR35-080PW | CBR35-100PW |
| CBR35F-060PW | N/A |
| CBR50-060PW | N/A |

Central would be happy to assist you by providing additional information or technical data to help locate an alternate source if we have no replacement available. Please email your requests to engineering@centrasemi.com.

DISCLAIMER: This End of Life (EOL) notification is in accordance with JEDEC standard JESD48 - Product Discontinuance. Central Semiconductor Corp. will make every effort to offer life-time buy (LTB) opportunities and/or offer replacement devices to existing customers for discontinued devices, however, one or both may not be possible for all devices. Please contact your local Central Semiconductor sales representative for LTB opportunities/additional information.