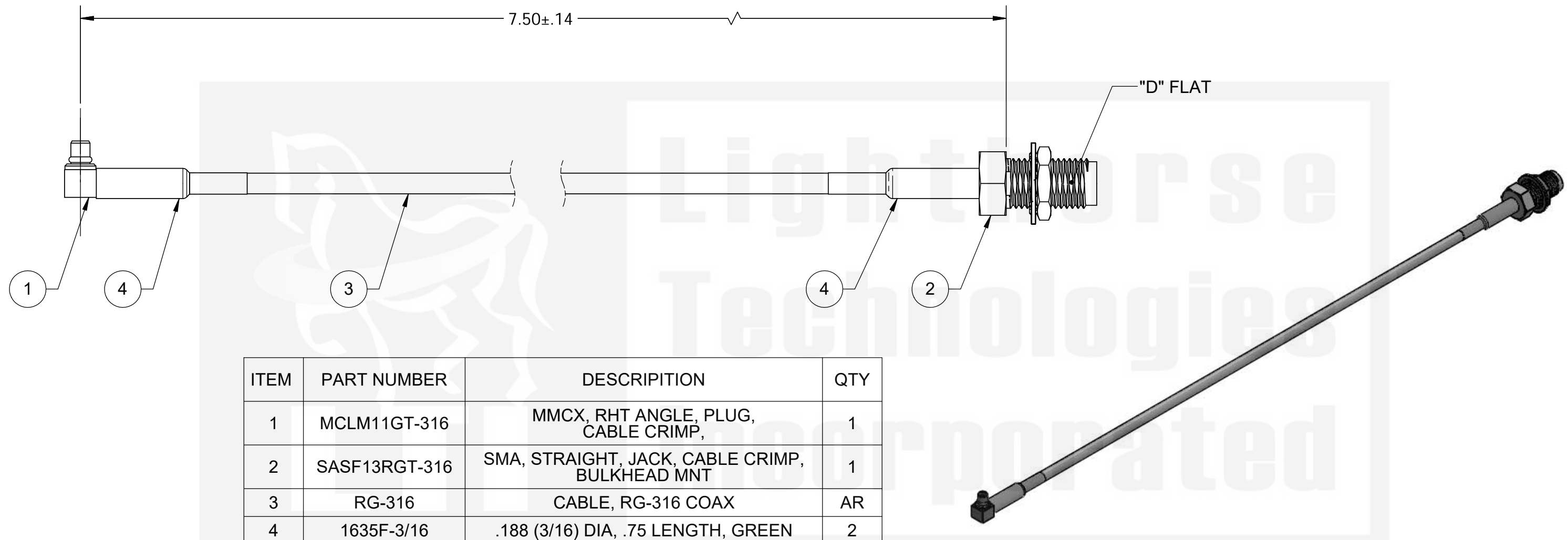


REVISIONS

REV	ECR	DESCRIPTION	DRAWN	DATE
1		ENGINEERING RELEASE	M. LARSEN	03/24/2023

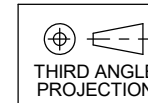


ITEM	PART NUMBER	DESCRIPTION	QTY
1	MCLM11GT-316	MMCX, RHT ANGLE, PLUG, CABLE CRIMP,	1
2	SASF13RGT-316	SMA, STRAIGHT, JACK, CABLE CRIMP, BULKHEAD MNT	1
3	RG-316	CABLE, RG-316 COAX	AR
4	1635F-3/16	.188 (3/16) DIA, .75 LENGTH, GREEN	2

PROPRIETARY AND CONFIDENTIAL
 UNLESS OTHERWISE SPECIFIED: THIS DOCUMENT CONTAINS LIGHORSE TECHNOLOGIES INFORMATION. REPRODUCTION, USE, DISCLOSURE OR TRANSMITTAL OF ALL OR ANY PART OF THIS DOCUMENT IS PROHIBITED EXCEPT TO THE EXTENT APPROVED IN WRITING BY AN AUTHORIZED REPRESENTATIVE OF LIGHORSE TECHNOLOGIES. LIGHORSE TECHNOLOGIES RESERVES ALL RIGHTS UNDER PATENTS, TRADEMARKS, COPY RIGHTS AND TRADE SECRETS. COPY RIGHTS OF LIGHORSE TECHNOLOGIES 2011, ALL RIGHTS RESERVED.



DO NOT SCALE DRAWING
 TOLERANCES UNLESS OTHERWISE SPECIFIED
 DIMENSIONS ARE IN MILLIMETERS
 X = ±0.5
 X.X = ±0.25
 X.XX = ±0.13
 ANGLE = ±30'



Lighthouse Technologies
 San Diego, CA
 WWW.RFCONNECTOR.COM

TITLE: **CABLE ASSEMBLY, MMCX R/A PLUG TO SMA JACK, BULKHD MNT, RG-316**

CUSTOMER APPROVAL	
SIGN / DATE:	
ENG APPR.	
CHECKED	
DRAWN	M. LARSEN 03/24/2023
NAME	DATE

SIZE	PART/DWG. NO:	REV
B	CBD-MCLMGT-SAF3GT-7.5IN	1
SCALE: 2:1	FILE NAME	SHEET 1 OF 1