

# ROTAPULS

Feedback encoder for gearless motors

Series

CB62



- Expansion flange for easy installation (plug&play)
- Pin compatible connector with market product
- 2048 PPR sine/cosine output
- CD-track for rotor/stator position
- Tapered shaft for precise installation



CB62

## ENVIRONMENTAL SPECIFICATIONS

Shock:	250 g, 6 ms acc. to CEI EN 60068-2-27
Vibrations:	10 g, 5-2000 Hz acc. to CEI EN 60068-2-6
Protection:	IP40
Operating temperature range:	-20°C+100°C (-4°F +212°F)
Storage temperature range:	-40°C+100°C (-40°F +212°F) (98% R.H. without condensation)

## MECHANICAL SPECIFICATIONS

Dimensions:	see drawing
Shaft diameter:	solid, 1:10 taper
Shaft loading (axial, radial):	40 N max.
Shaft rotational speed:	10000 rpm max.
Starting torque at 20°C:	0,15 Ncm (typical)
Bearings life:	10 <sup>9</sup> rev. min.
Electrical connections:	PCB connector (connection cable to be ordered separately)
Weight:	~ 200 g (7 oz)

## ELECTRICAL SPECIFICATIONS

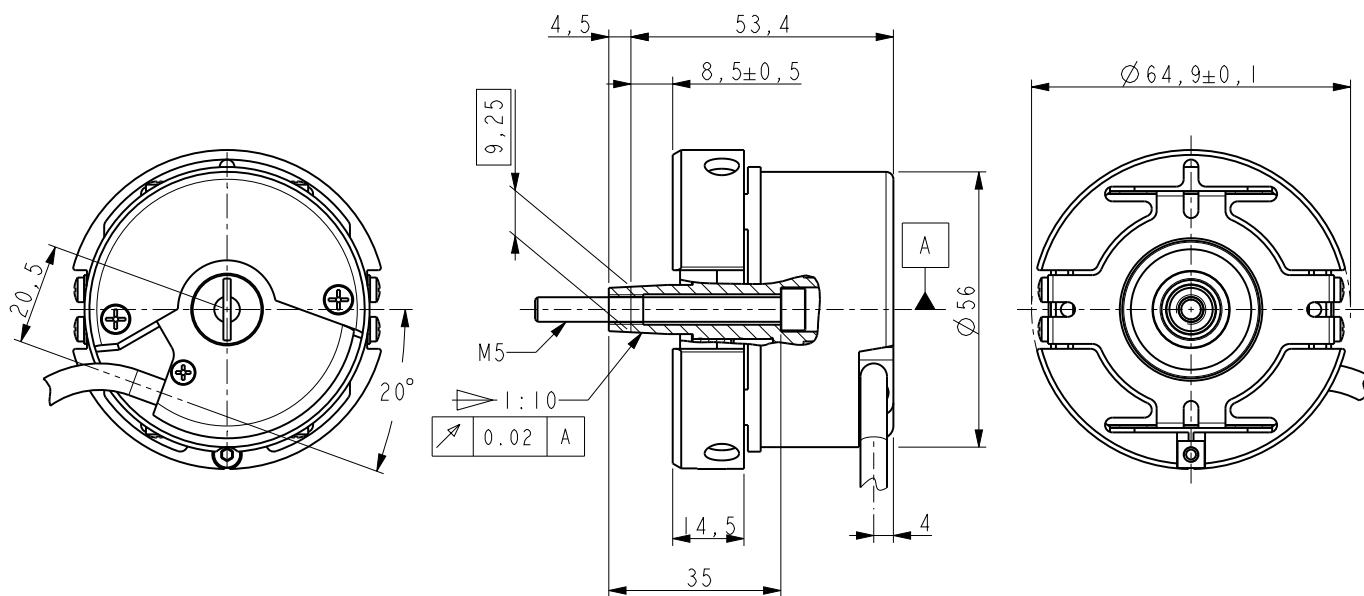
Resolution (PPR):	2048 + absolute CD-track
Counting frequency:	300 kHz max.
Output circuits:	1Vpp
Power supply:	+5V±5%
Consumption:	130 mA max.
Output current (each channel):	40 mA max.
EMC:	electro-magnetic immunity, according to: EN 61000-4-2 EN 61000-4-4
Optoelectronic life:	100.000 hrs min.

## MATERIALS

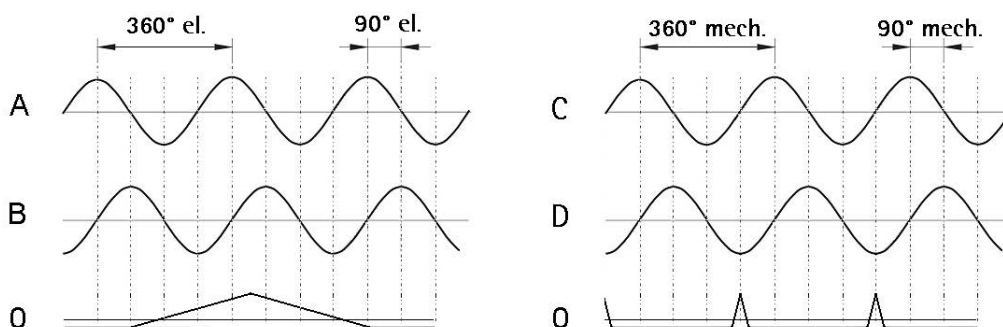
Flange:	aluminium, anticorrosive, UNI EN AW-6082
Housing:	aluminium, anticorrosive, UNI EN AW-6082
Bearings:	ABEC 5
Shaft:	stainless steel, non-magnetic - UNI EN 4305

## ACCESSORIES

EC-ASB/CB62-1:	Connection cable 1 m
EC-ASB/CB62-4:	Connection cable 4 m
EC-ASB/CB62-7:	Connection cable 7 m



CB62



Order code

CB62	-	X ⓐ	-	XXXX/X ⓑ	X ⓒ	XXX ⓓ	/Sxxx ⓔ
------	---	--------	---	-------------	--------	----------	------------

Accessories order code

EC	-	ASB/CB62	-	X
----	---	----------	---	---

ⓐ OUTPUT CIRCUIT  
V = 1 V<sub>pp</sub> sine/cosine

ⓑ RESOLUTION (PPR)  
2048/0 = 2048 PPR ABZ /ABZ  
2048/1 = 2048 PPR ABZ /ABZ + CD track

ⓒ SUPPLY VOLTAGE  
1 = +5V ±5%

ⓓ SHAFT DIAMETER  
C10 = 1:10 taper

ⓔ CUSTOM VERSION

EC-ASB/CB62-1 = Connection cable 1 m  
EC-ASB/CB62-4 = Connection cable 4 m  
EC-ASB/CB62-7 = Connection cable 7 m