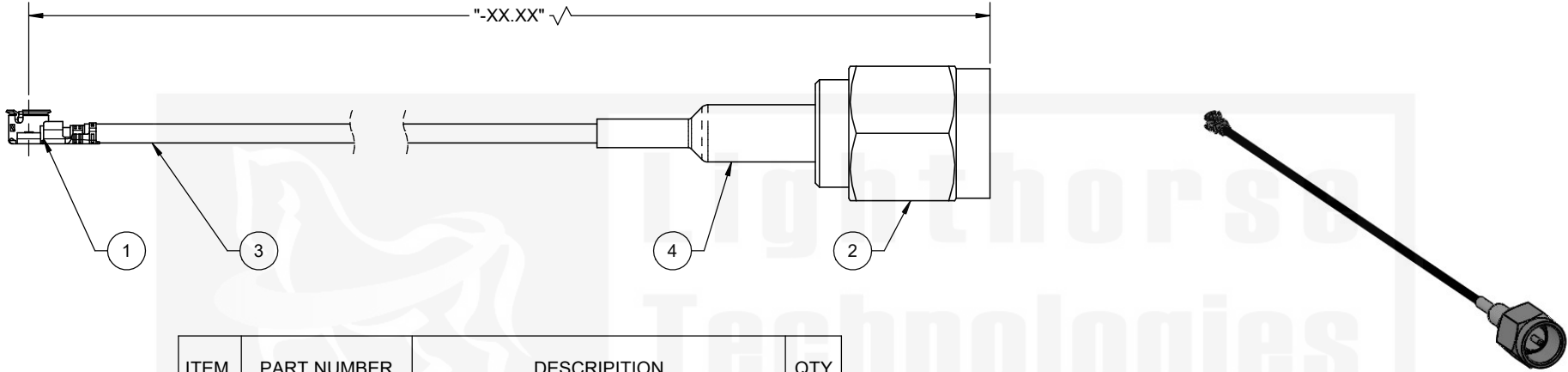


-XX IN THE ENDING OF THE CABLE PART NUMBER IS CALLING OUT THE LENGTH OF THE ASSEMBLY FROM CENTER TO MATING FLANGE OF CONNECTORS. EXAMPLES SHOWN BELOW:

LTI P/N: CB1.13-IPX-SAMGT-6IN (6 INCHES)
 CB1.13-IPX-SAMGT-10IN (10 INCHES)




ITEM	PART NUMBER	DESCRIPTION	QTY
1	IPXLF11GBP-113	IPX (MHF1), RHT ANGLE, JACK, CABLE CRIMP (I-PEX 20278-112R-13)	1
2	SASM11GT-316	SMA, STRAIGHT, PLUG, CABLE CRIMP	1
3	1.13 MICRO COAX	CABLE, 1.13 MICRO COAX, BLACK	AR
4	1635F-1/8"	.125 (1/8) DIA, .75 LENGTH, GREEN	1

SCALE: NONE

REVISIONS				
REV	ECR	DESCRIPTION	DRAWN	DATE
1		PRODUCTION RELEASE	M. LARSEN	01/17/2022

IPX® AND MHF® ARE REGISTERED TRADEMARKS OF I-PEX CO., LTD. CORPORATION

DO NOT SCALE DRAWING TOLERANCES UNLESS OTHERWISE SPECIFIED DIMENSIONS ARE IN MILLIMETERS X = ±0.5 XX = ±0.25 XXX = ±0.13 ANGLE = ±30°		 Lighthorse Technologies San Diego, CA WWW.RFCONNECTOR.COM	TITLE: CABLE ASSEMBLY, IPX (MHF1), R/A JACK, CRIMP TO SMA, PLUG, CRIMP USING 1.13 MICRO COAX
CUSTOMER APPROVAL SIGN / DATE: ENG APPR. P. BURDGE 01/19/2022 CHECKED M. HELD 01/19/2022 DRAWN M. LARSEN 01/17/2022 NAME DATE			SIZE PART/DWG. NO: B CB1.13-IPX-SAMGT-xxIN
SCALE: 4:1		FILE NAME	SHEET 1 OF 1

PROPRIETARY AND CONFIDENTIAL

UNLESS OTHERWISE SPECIFIED: THIS DOCUMENT CONTAINS LIGHORSE TECHNOLOGIES INFORMATION. REPRODUCTION, USE, DISCLOSURE OR TRANSMITTAL OF ALL OR ANY PART OF THIS DOCUMENT IS PROHIBITED EXCEPT TO THE EXTENT APPROVED IN WRITING BY AN AUTHORIZED REPRESENTATIVE OF LIGHORSE TECHNOLOGIES. LIGHORSE TECHNOLOGIES RESERVES ALL RIGHTS UNDER PATENTS, TRADEMARKS, COPYRIGHTS AND TRADE SECRETS. COPY RIGHTS OF LIGHORSE TECHNOLOGIES 2011, ALL RIGHTS RESERVED.

