

FEATURES

- Able to be used at wide temperature from -25°C to 70°C
- Long life Endurance : 1,000 hours at +70°C
- RoHS directive compliant / No Explosion Safety



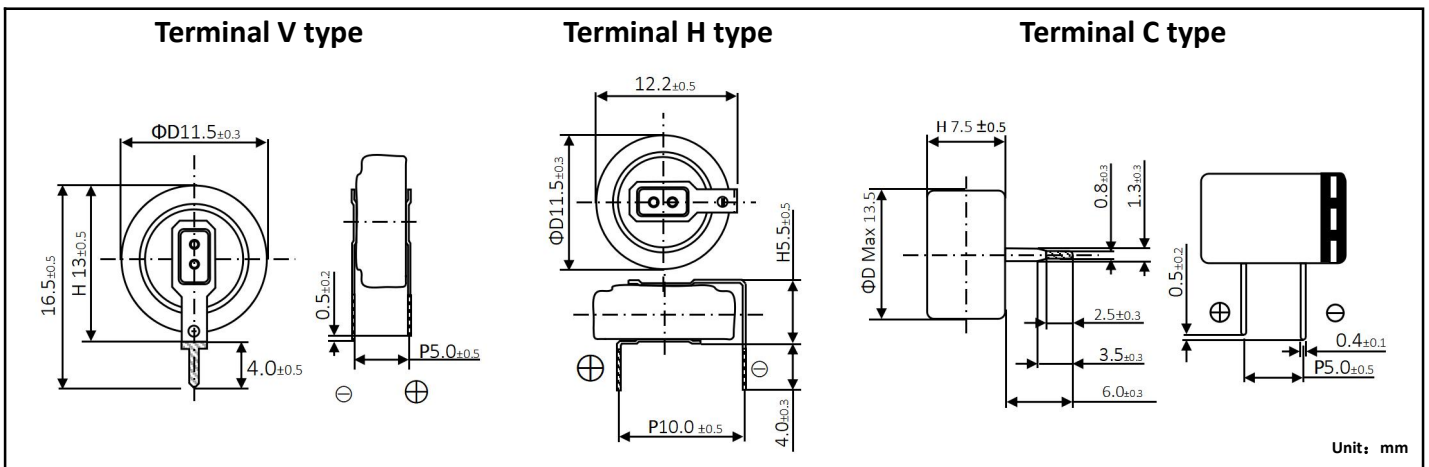
APPLICATIONS

- Memory back-up for Video, Audio, Cameras, CCTV, Printer, Camcorder, Telephones, Car stereo, E-meter, Toy, Computer, Notebook PC, Rice cooker, Home network etc.

PART NUMBER SYSTEM						
CB	5R5	224	H	F	**	
Series	Rated Voltage	Capacitance	Type	RoHS	Special Code	

GENERAL SPECIFICATIONS / DIMENSIONS

Item	Performance						
Operating temperature	-25°C to +70°C						
Capacitance range	0.022F to 0.47F						
Capacitance tolerance	- 20% to + 80% (at 25°C)						
Rated voltage	5.5 VDC						
Nominal capacitance & Resistance	Nominal capacitance (F)	0.022	0.047	0.1	0.22	0.33	0.47
	Nominal resistance (Ω)	75	75	75	75	50	50
Temperature characteristics	Capacitance change: Within ±30% of initial measured value at +25°C Internal resistance: Within ±400% of initial measured value at +25°C						
Endurance (At rated voltage & max. operating temp)	After 1000 hours: Capacitance change: ±30% of initial rated value Internal resistance: Within 4 times of initial specified value						
Shelf life	After 2 years at 25°C without load, the capacitor shall meet the specified endurance limits.						



STANDARD PRODUCTS(V/H-TYPE)

Part Number	Working Voltage (V DC)	Rated Cap. (F)	V type(mm)		
			ΦD	H	P
CB5R5223VF-ZJ	5.5	0.022	11.5	13.0	5.0
CB5R5473VF-ZJ	5.5	0.047	11.5	13.0	5.0
CB5R5104VF-ZJ	5.5	0.10	11.5	13.0	5.0
CB5R5224VF-ZJ	5.5	0.22	11.5	13.0	5.0
CB5R5334VF-ZJ	5.5	0.33	11.5	13.0	5.0
CB5R5474VF-ZJ	5.5	0.47	11.5	13.0	5.0

Part Number	Working Voltage (V DC)	Rated Cap. (F)	H type(mm)		
			ΦD	H	P
CB5R5223HF-ZJP	5.5	0.022	11.5	5.5	10.0
CB5R5473HF-ZJP	5.5	0.047	11.5	5.5	10.0
CB5R5104HF-ZJP	5.5	0.10	11.5	5.5	10.0
CB5R5224HF-ZJP	5.5	0.22	11.5	5.5	10.0
CB5R5334HF-ZJP	5.5	0.33	11.5	5.5	10.0
CB5R5474HF-ZJP	5.5	0.47	11.5	5.5	10.0

STANDARD PRODUCTS(C-TYPE)



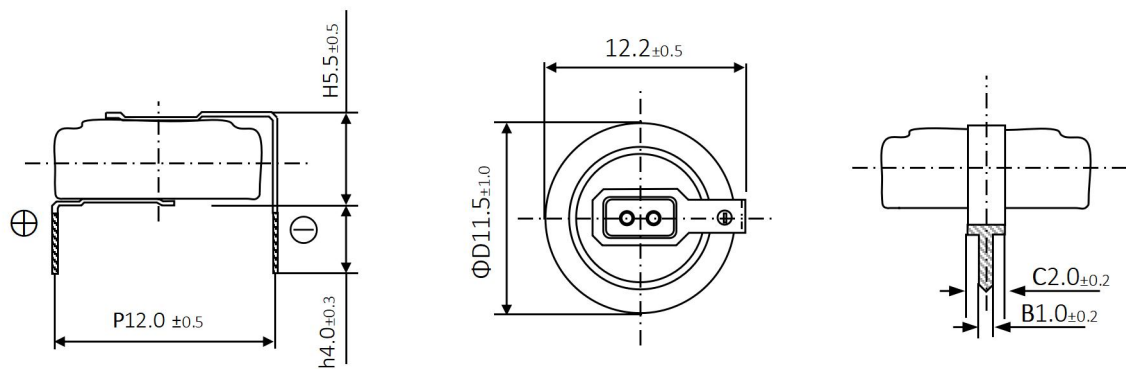
Part Number	Working Voltage (V DC)	Rated Cap. (F)	C type(mm)		
			ΦD	H	P
CB5R5223CF-ZJ	5.5	0.022	13.5	7.5	5.0
CB5R5473CF-ZJ	5.5	0.047	13.5	7.5	5.0
CB5R5104CF-ZJ	5.5	0.10	13.5	7.5	5.0
CB5R5224CF-ZJ	5.5	0.22	13.5	7.5	5.0
CB5R5334CF-ZJ	5.5	0.33	13.5	7.5	5.0
CB5R5474CF-ZJ	5.5	0.47	13.5	7.5	5.0

Precautions

- Please do not apply external force to the product or the terminal due to stress such as twisting, bending, pushing, knocking down, etc., which may cause the product or terminal to fall off, resulting in an open circuit, short circuit, or liquid leakage.
- Please do not overheat the capacitor with respect to heating in an adhesive curing furnace, etc. For details, see Precautions for Using Electric Double Layer Capacitors.

DIMENSIONS(H-TYPE P:12MM)

Terminal H type



Unit: mm

NON-STANDARD PRODUCTS (H-TYPE P:12MM)

Part Number	Working Voltage (V DC)	Rated Cap. (F)	H type(mm)		
			ΦD	H	P
CB5R5224HF-ZJ	5.5	0.022	11.5	5.5	12.0
CB5R5473HF-ZJ	5.5	0.047	11.5	5.5	12.0
CB5R5104HF-ZJ	5.5	0.10	11.5	5.5	12.0
CB5R5224HF-ZJ	5.5	0.22	11.5	5.5	12.0
CB5R5334HF-ZJ	5.5	0.33	11.5	5.5	12.0
CB5R5474HF-ZJ	5.5	0.47	11.5	5.5	12.0

Special Pitch

- Compared with the standard product H-TYPE, the special pitch P is 2mm wider, please compare the product size before selection.
- Choose your suitable pin type according to the circuit design, do not bend the capacitor pin forcibly.