



Description

- SMA (F) Jack Bulkhead Straight Connector to MMCX (M) Plug Right Angle Connector
- 100mm RG174 cable

Contents

1. Features	2
2. General data	2
3. Cable Insertion Loss	5
4. Part number	6
6. Hazardous Material Regulation Conformance	8

1. Features

High reliability connectors
Low loss cable
Low insertion loss RF connectors

2. General data

2.1. SMA (F) Jack Bulkhead Straight Connector

ELECTRICAL	
Impedance	50Ω
Frequency Range	DC ~ 6GHz
Working Voltage	Max ≤ 335Vrms
Dielectric Withstanding Voltage	1000 Vrms
Insulation Resistance	≥ 1000MΩ
Center Contact Resistance	≤ 10mΩ
Outer Contact Resistance	≤ 5mΩ
VSWR	≤ 1.20 @3GHz
Durability	> 500 cycles
Temperature range	-55°C to +155°C

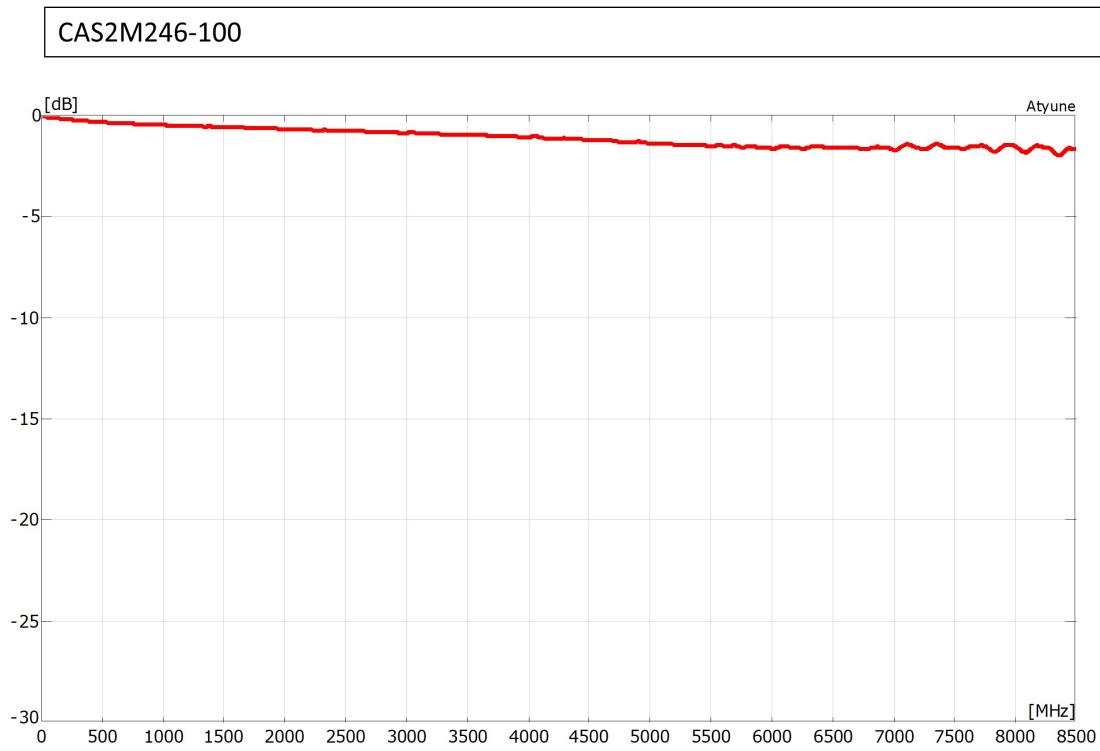
2.2. MMCX (M) Plug Right Angle Connector

ELECTRICAL	
Impedance	50Ω
Frequency Range	DC ~ 6GHz
Working Voltage	Max \leq 335 Vrms
Dielectric Withstanding Voltage	500 Vrms
Insulation Resistance	\geq 1000 MΩ
Center Contact Resistance	\leq 10mΩ
Outer Contact Resistance	\leq 5mΩ
VSWR	\leq 1.25
Durability	500 cycles
Operating Temperature	-40°C to +90°C

2.3. Cable Specification

ELECTRICAL CHARACTERISTICS	
Cable Item	RG174
Capacitance (pF/m)	101.05
Impedance (ohm)	50
Velocity (%)	66
Min. Bend Radius (mm)	10
Max. Oper. Voltage (VMS)	1500
Max. Oper. Frequency (MHz)	1000
Operating Temperature	-20°C to +80°C
VSWR	≤ 1.20
Attenuation (dB/100m)	100 MHz - 27.6dB/100m 400 MHz - 55.8dB/100m 1000 MHz - 89.9dB/100m
Cable length	100mm

3. Cable Insertion Loss

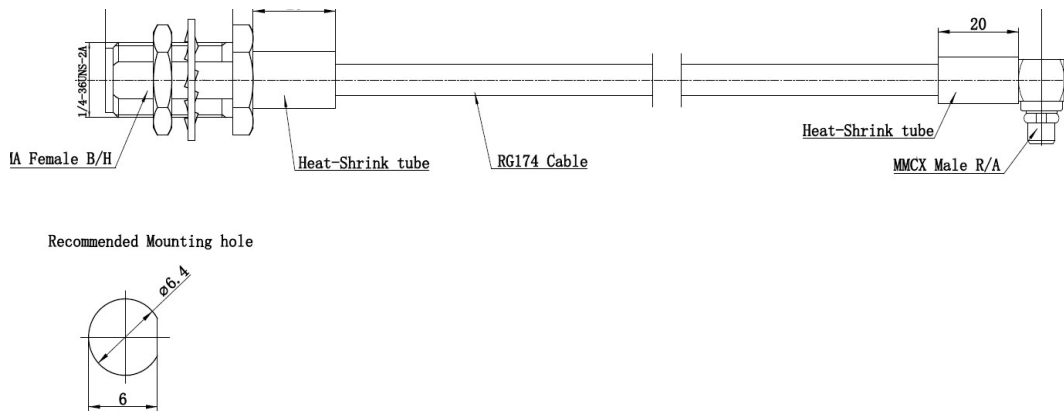


4. Part number

Part Number – CAS2M246-100

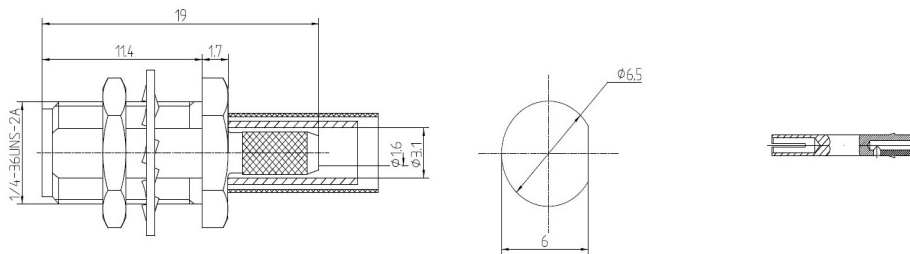
5. Drawing

5.1. Cable assembly

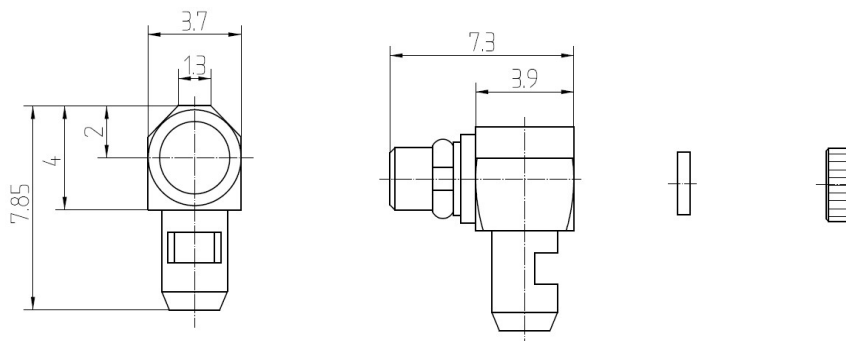


5.2. Connectors

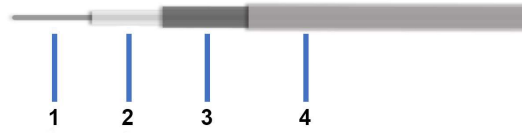
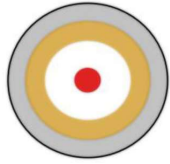
connector 1: SMA Jack B/H Straight



connector 2: MMCX Plug Right Angle



5.3. Cable Construction Specification



Cable Cross Section

		MATERIAL	DIAMETER (MM)
1	Inner Conductor	Bare Copper	7 x 0.16
2	Dielectric	Solid PE	1.52
3	Outer Conductor	Tinned Copper Braid	2.05
4	Jacket	PVC	2.60

5.4. Bill of Material

		MATERIAL	FINISH	QTY
1	SMA Jack Bulkhead connector	Brass	Gold	1
2	MMCX(M) R/A	Brass	Gold	1
3	RG174 Cable	PVC Jacket	Black	1
4	Heat Shrink Tube	PE	Black	2
5	Washer	Brass	Gold	1
6	Nut	Brass	Gold	1

6. Hazardous Material Regulation Conformance

The connector has been tested to conform to RoHS requirements.

A certification of conformance is available from Antenova's website.

Quality statements

Antenova's products conform to REACH and RoHS legislation. For our statements regarding these and other quality standards, please see antenova.com.



Antenova reserves all rights to the contents of this document. Antenova gives no warranties based solely on the accuracy or completeness of the contents of this document and reserves the right to make changes to the specifications of the products described herein at any time and without notice.

Antenna design, integration and test resources

Product designers – the details contained in this datasheet will help you to complete your embedded antenna design. Please follow our technical advice carefully to obtain optimum antenna performance.

We aim to support our customers to create high performance wireless products. You will find a wealth of design resources, calculators and case studies to aid your design on our website.

Antenna's design laboratories are equipped with the latest antenna design tools and test chambers. We provide antenna design, test and technical integration services to help you complete your design and obtain the required certifications.

If you cannot find the antenna you require in our product range, please contact us to discuss creating a custom antenna to meet your exact requirements.

Share knowledge with **RF experts** around the world.

ask.antenna is a global forum for designers and engineers working with wireless technology.

VISIT ASK.ANTENOVA

Visit antenna.com

Order antenna samples and evaluation boards, and read our antenna resources

VISIT ANTENOVA.COM

Request a volume quotation for antennas:

sales@antenna.com

Global headquarters

Antenna Ltd, 2nd Floor Titan Court, 3 Bishop Square, Hatfield, AL10 9NA

+44 (0) 1707 927589