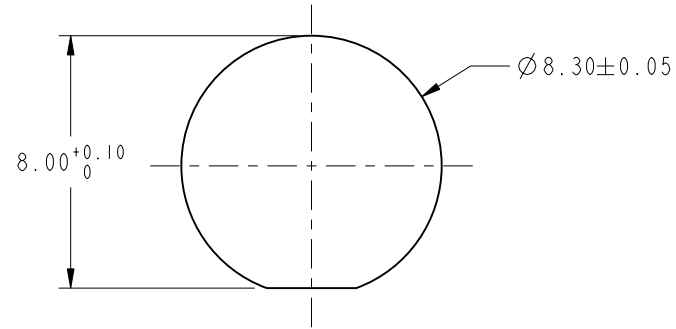
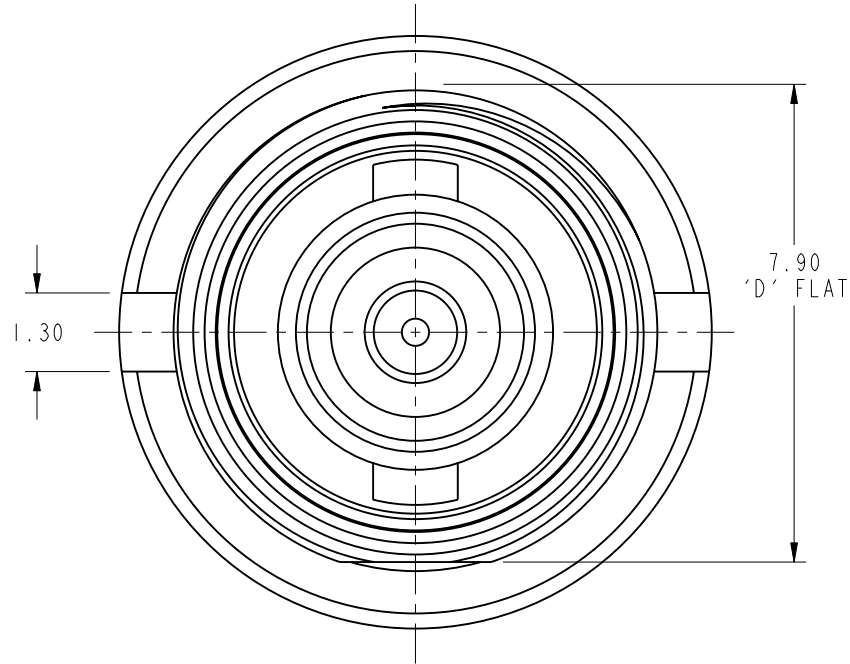


NOTES:

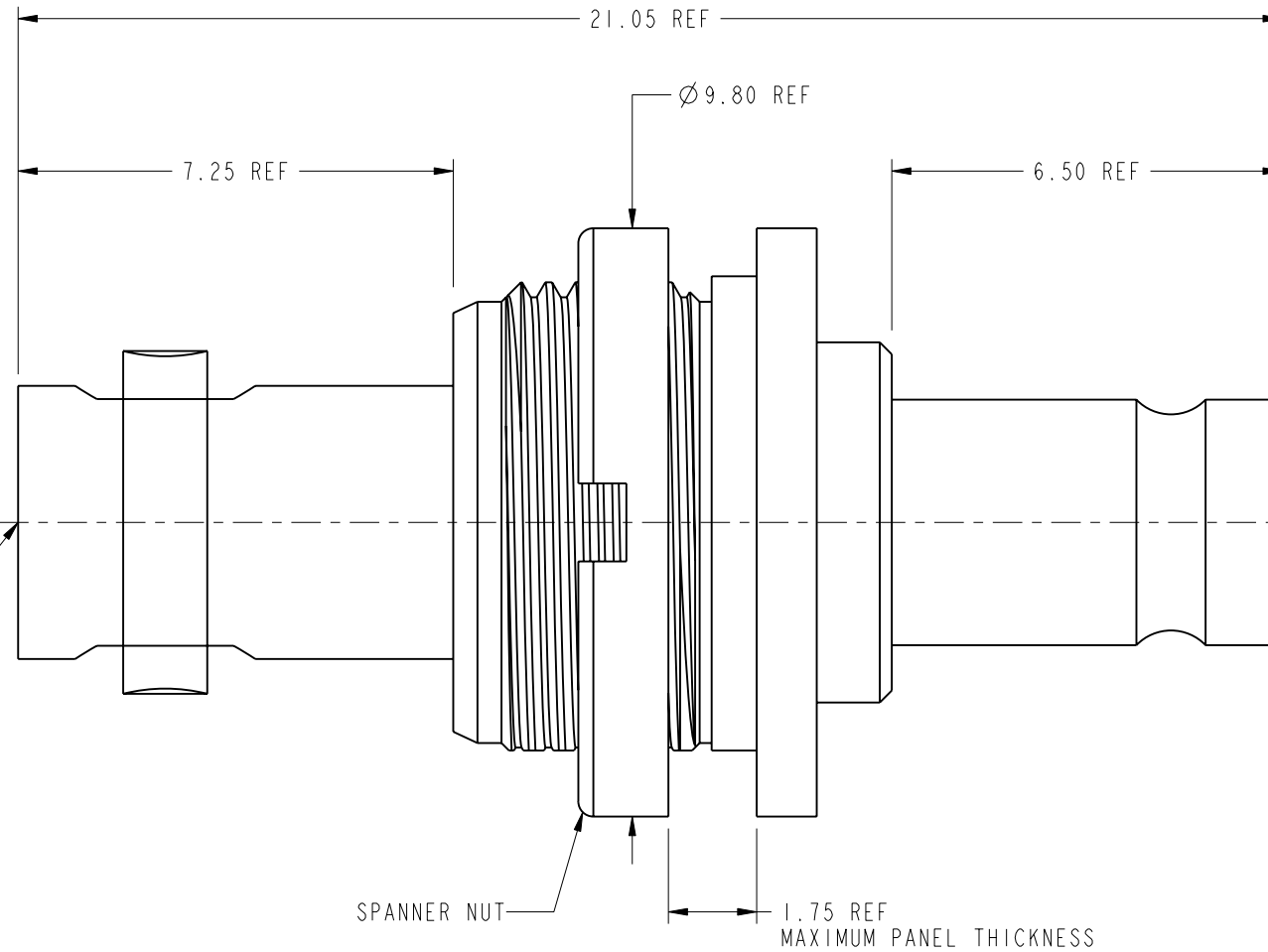
1. MATERIALS AND FINISHES:
 BODIES - BRASS, NICKEL PLATING
 CONTACT - BeCu, GOLD PLATING
 SLEEVE - DELRIN
 INSULATOR - PTFE
2. ELECTRICAL:
 A. IMPEDANCE: 75 OHM
 B. FREQUENCY RANGE: DC - 3 GHz
 C. RETURN LOSS: -25 dB MIN @ 3 GHz
3. MECHANICAL:
 A. DURABILITY: 500 CYCLES MIN.
 B. TEMPERATURE RANGE: +65° C TO -165° C
4. PACKAGING:
 A. QUANTITY: SINGLE PACK
 B. MARKING: BAG TO BE MARKED
 "AMPHENOLRF,APH-HD-ISO-1023 AND DATE CODE"



SCALE 4.200
RECOMMENDED MOUNTING
HOLE DIMENSIONS



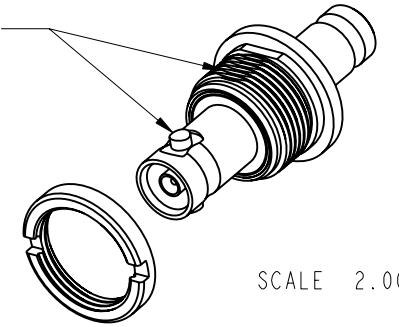
INTERFACE PER
 349-50820
 SERIES: HD-BNC JACK



SPANNER NUT
 1.75 REF
 MAXIMUM PANEL THICKNESS

INTERFACE PER
 CECC 22 230
 SERIES: 1.0/2.3

ORIENT STUDS AXIS
 WITH RESPECT TO 'D' FLAT
 AS SHOWN



SCALE 2.000

THIRD ANGLE PROJ.

REVISIONS

REV	DESCRIPTION	DATE	ECO	APPR
A	RELEASE TO MFG.	30-Mar-11	48505	CL
B	'D' FLAT WAS 7.80	25-Jul-11	48638	SCOTT

CUSTOMER OUTLINE DRAWING

ALL OTHER SHEETS ARE FOR INTERNAL USE ONLY

UNLESS OTHERWISE SPECIFIED, DIMENSIONS ARE IN METRIC AND TOLERANCES ARE:
 <0.5mm ±0.05mm 0.5 - 6mm ±0.1mm 6 - 30mm ±0.2mm 30 - 120mm ±0.3mm ANGLES ±1°

NOTICE - These drawings, specifications, or other data (1) are, and remain the property of Amphenol corp. (2) must be returned upon request; and (3) are confidential and not to be disclosed to any person other than those to whom they are given by Amphenol Corp. the finishing of these drawings, specifications, or other data by Amphenol Corp., or to any other person to anyone for any purpose is not to be regarded by implication or otherwise in any manner licensing, granting rights to permitting such holder or any other person to manufacture, use or sell any product, process or design, patented or otherwise, that may in any way be related to or disclosed by said drawings, specifications, or other data.

MATERIAL SEE NOTES	DRAWN I.XU	DATE 19-Jul-11	TITLE ISOLATED ADAPTER HD BNC STR JACK TO 1.0/2.3 JACK		Amphenol RF www.amphenolrf.com	
	ENGINEER A ARUN PRABU	DATE 14-Jan-11				
REFERENCE EAR # 4295 AND EXP:615X-2759-100	APPROVED S.HSIEH	DATE 25-Jul-11	SCALE: 8.0:1.0 SHEET 2 OF 2		DRAWING NO. APH-HD-ISO-1023	
CONFIGURATION LEVEL: <input type="checkbox"/> <input type="checkbox"/> <input type="checkbox"/>	CAD FILE	DWG SIZE B	REV B	ITEM NO. APH-HD-ISO-1023		
FINISH				PART NO. APH-HD-ISO-1023		