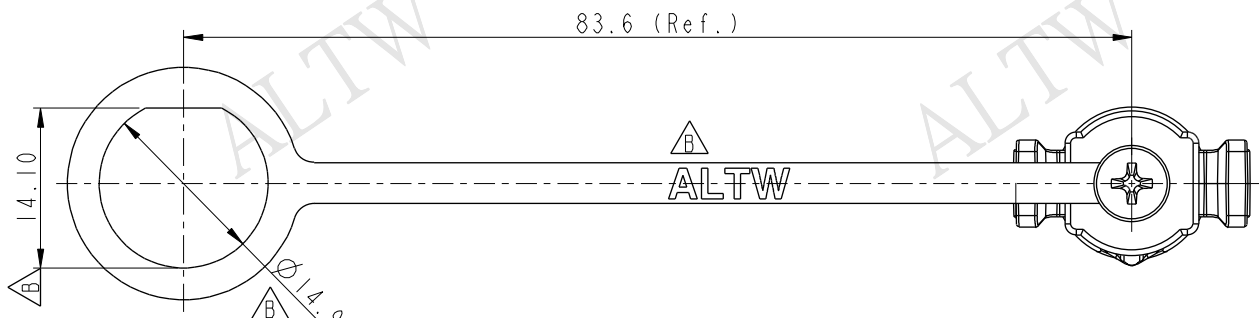
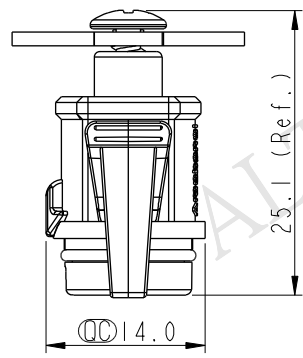
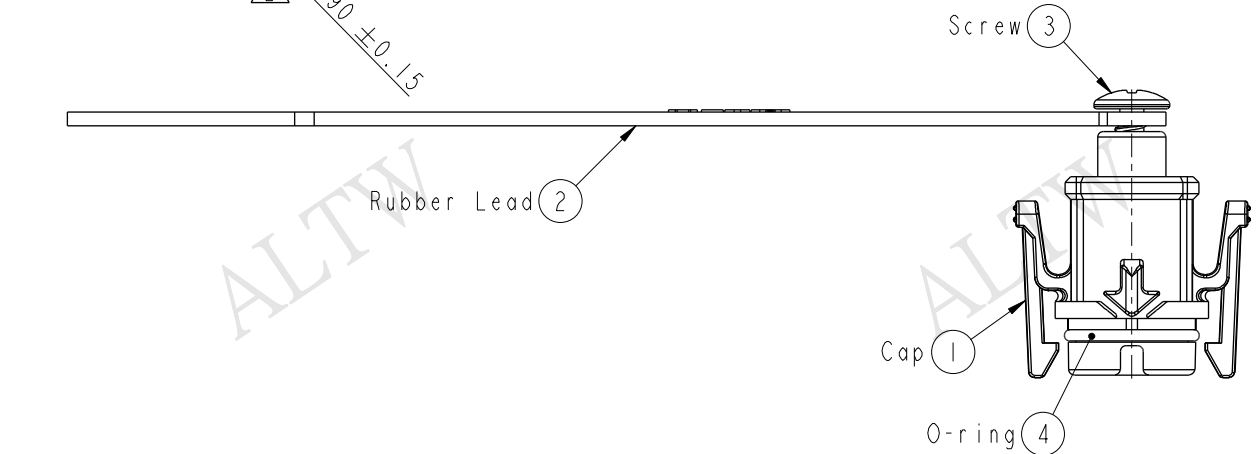


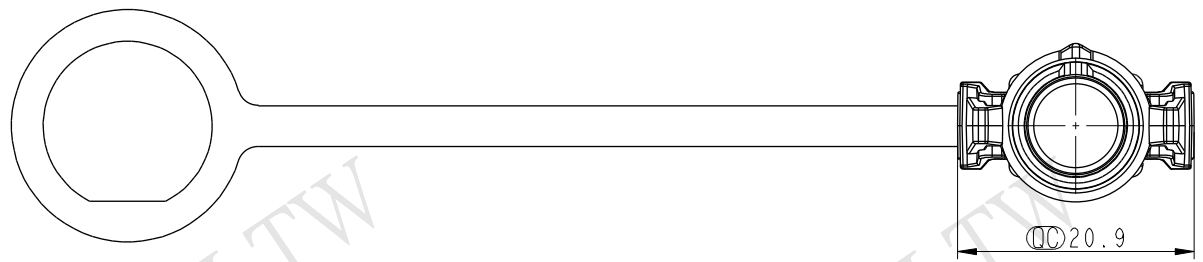
REV.	ECN NO.	DATE	SIGN	DESCRIPTION
B	LEN1560175	2015/06/04	Vicky	Update Logo & Add Dimension



ALTW  
CONFIDENTIAL  
2015-06-04  
R&D DEPT.



ALTW  
DCC. DEPT.  
CONFIDENTIAL  
2015.06.17  
ISSUED



Note:  
 \*  $\varnothing$  Important Dimension.  
 \* Waterproof Rate: IP68(Mated, 1M/24hr)  
 \* Cap: Nylon+GF, Black  
 \* O-ring: Silicone, Grey  
 \* Rubber Lead: TPES, Black  
 \* Screw is not allowed to tight  
 (Chain be revolve)  
 不可將螺絲鎖緊, (鏈條要可旋轉)

UNIT: mm		
TOLERANCE	.X ±0.25	
	.XX ±0.1	
	.XXX ±0.05	
ANGLES	±1°	

TITLE X-Lok B-Size Waterproof Cap For Receptacle Male Conn			
SCALE 3:2	SIZE A4	SHEET 1 OF 1	
REV. B	WC-REV. A.4	$\varnothing$ : Inspection item	

**Amphenol LTW**  
安費諾亮泰企業股份有限公司

ITEM NO. CAP-WABMQPC1	DRAWN BY Vicky	DATE 2015-06-04
DWG NO. CAP-WABMQPC1	CHECKED BY Rita	DATE 2015-06-04
CUSTOMER ALTW	APPROVED BY Lion	DATE 2015-06-04

THIS DOCUMENT IS SUBJECT TO CHANGE WITHOUT NOTICE. IT IS CONFIDENTIAL AND A PROPERTY OF Amphenol LTW. DISCLOSURE TO THIRD PARTY HAS TO BE AUTHORIZED BY Amphenol LTW.