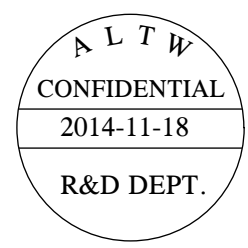
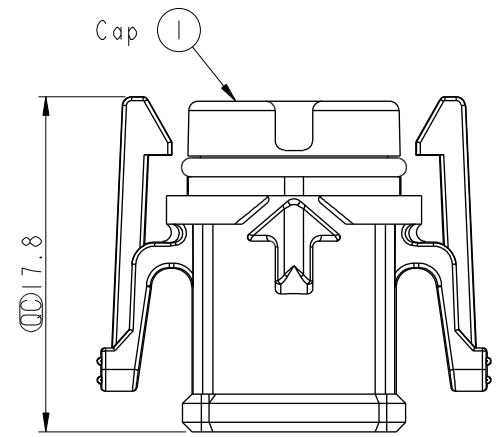
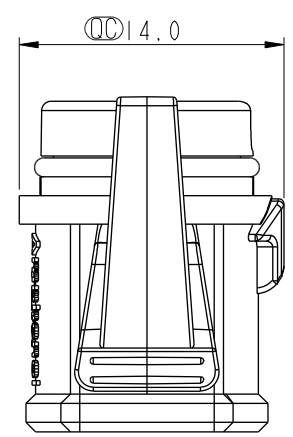
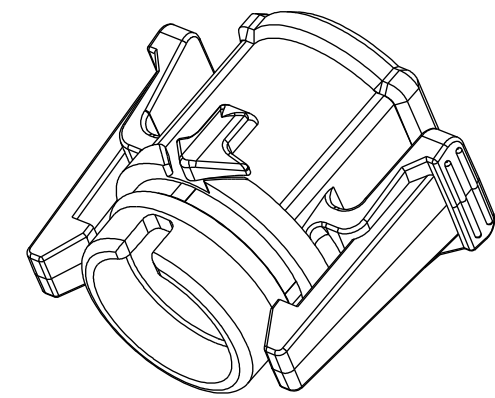
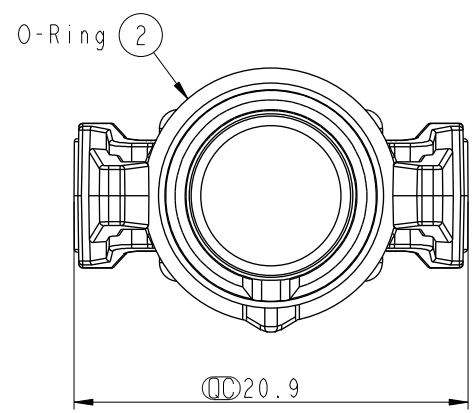


THIS DOCUMENT IS SUBJECT TO CHANGE WITHOUT NOTICE. IT IS CONFIDENTIAL AND A PROPERTY OF AMPHENOL LTW. DISCLOSURE TO THIRD PARTY HAS TO BE AUTHORIZED BY AMPHENOL LTW.

REV.	ECN NO.	DATE	SIGN	DESCRIPTION



- Note:
- * \varnothing Important Dimension To Check.
 - * Waterproof Rate: IP68
 - * Housing: PP, Black
 - * Oring: Silicone, Gray

A	UNIT: mm			TITLE X-Lok B-Size Waterproof Cap For Male Conn.		Amphenol LTW 安費諾亮泰企業股份有限公司		ITEM NO CAP-WABMQMA1	DRAWN BY Micky	DATE 2014-11-18
	TOLERANCE .X ±0.25 .XX ±0.1 .XXX ±0.05 ANGLES ±1°	SCALE 5:2	SIZE A4	SHEET 1	OF 1	CUSTOMER ALTW	DWG NO CAP-WABMQMA1	CHECKED BY Spring	DATE 2014-11-18	
	REV. A	WC-REV. A.4	QC: Inspection item		APPROVED BY Kevin	DATE 2014-11-18	8 FMM10702-01-02A1			