

5

4

3

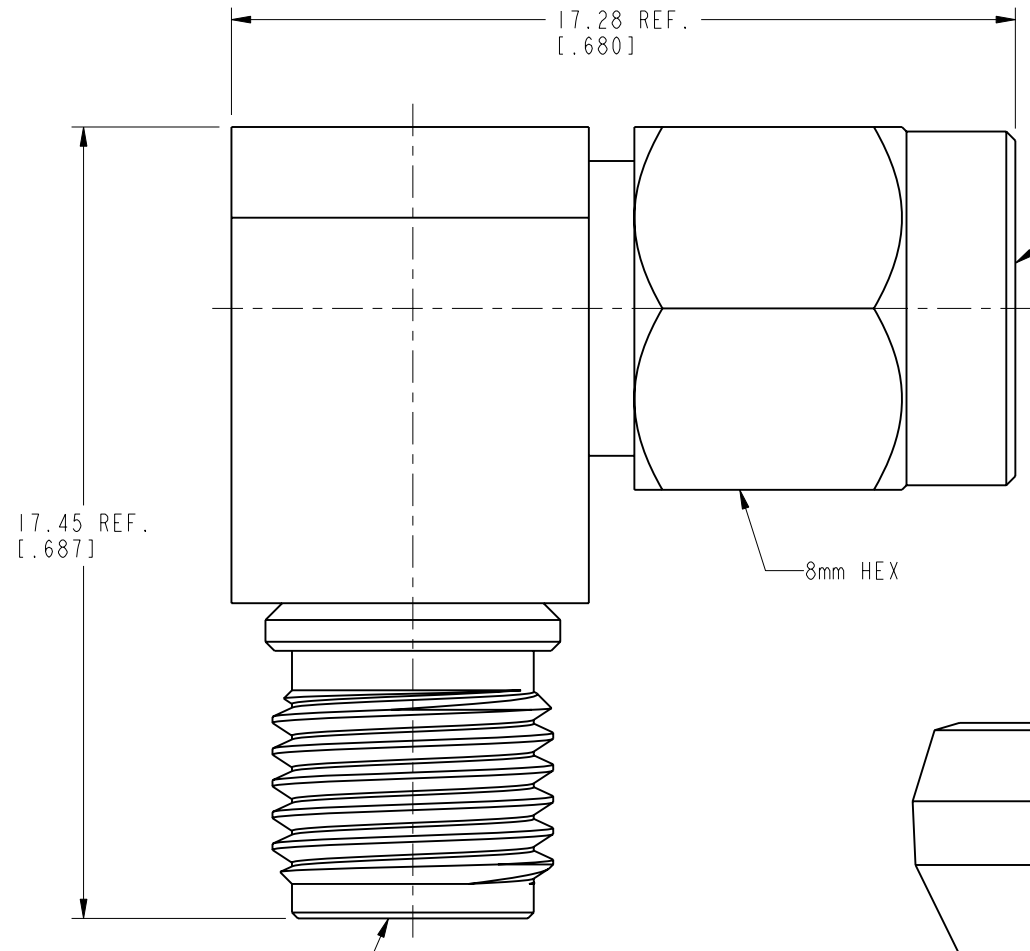
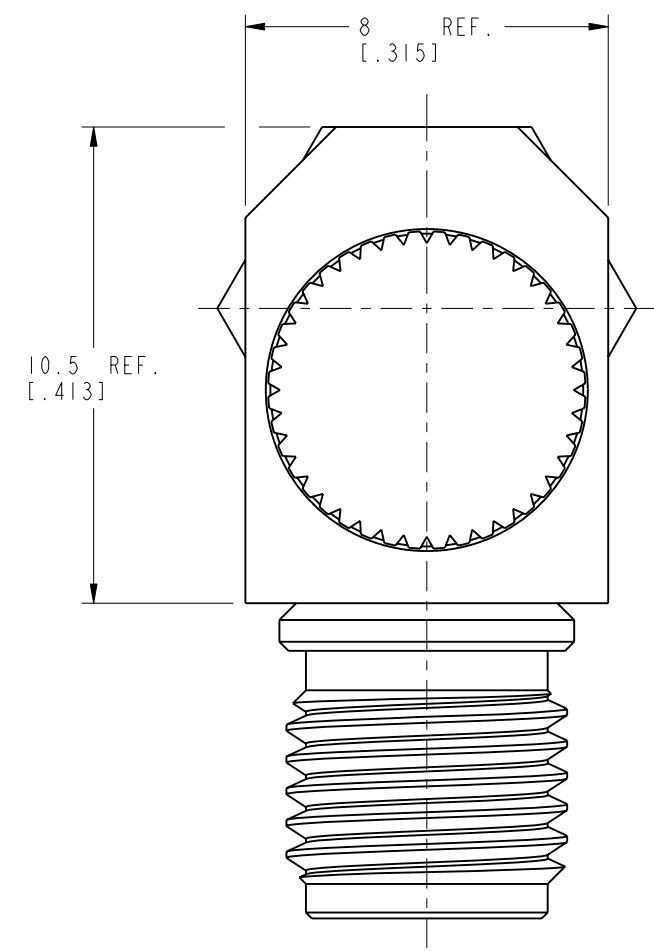
2

1

NOTES:

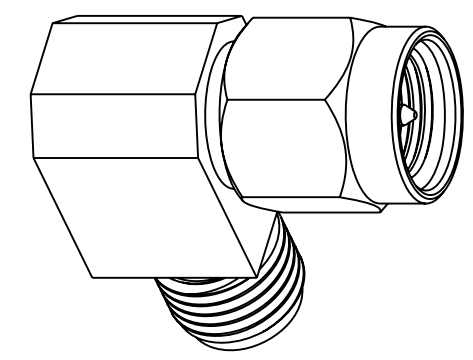
- 1. MATERIALS AND FINISHES:
  - BODY - BRASS, GOLD PLATING
  - COVER - BRASS, NICKEL PLATING
  - CONTACT - BRASS, GOLD PLATING
  - CONTACT PIN - BeCu, GOLD PLATING
  - INSULATORS - PTFE, NATURAL
  - COUPLING NUT - STAINLESS STEEL, PASSIVATED
- 2. ELECTRICAL:
  - A. IMPEDANCE: 50 OHM
  - B. FREQUENCY RANGE: DC-22 GHz
  - C. VSWR(RETURN LOSS): 1.20 MAX.
  - D. DIELECTRIC WITHSTANDING VOLTAGE: 1000 VRMS, MIN.
- 3. MECHANICAL:
  - A. DURABILITY: 500 CYCLES MIN.
  - B. TEMPERATURE RANGE: -65°C TO 165°C
- 4. PACKAGING:
  - A. QUANTITY: SINGLE PACK
  - B. MARKING: PACKAGING TO BE MARKED "AMPHENOL RF, AD-SMAPSMAJ-2, AND DATE CODE"

REVISIONS				
REV	DESCRIPTION	DATE	ECN	APPR
A	RELEASE TO MANUFACTURING	7-Jul-20	15233	SH



INTERFACE PER MIL-STD-348B SERIES: SMA PLUG

INTERFACE PER MIL-STD-348B SERIES: SMA JACK



SCALE 3.000

**CUSTOMER OUTLINE DRAWING**  
ALL OTHER SHEETS ARE FOR INTERNAL USE ONLY

NOTICE: These drawings, specifications, or other data (1) are, and remain the property of Amphenol corp. (2) must be returned upon request; and (3) are confidential and not to be disclosed to any person other than those to whom they are given by Amphenol Corp. The furnishing of these drawings, specifications, or other data by Amphenol Corp., or to any other person to anyone for any purpose is not to be regarded by implication or otherwise in any manner licensing, granting rights to permitting such holder or any other person to manufacture, use or sell any product, process or design, patented or otherwise, that may in any way be related to or disclosed by said drawings, specifications, or other data.

THIRD ANGLE PROJ. REFERENCE EAR# 8845

UNLESS OTHERWISE SPECIFIED DIMENSIONS ARE METRIC (INCHES) AND TOLERANCES ARE:

<0.5mm = ±0.05mm	[<0.020 = ±0.002]
>0.5 - 6mm = ±0.1mm	[>0.020 - 0.236 = ±0.004]
>6.00 - 30mm = ±0.2mm	[>0.236 - 1.181 = ±0.008]
>30.00 - 120mm = ±0.3mm	[>1.181 - 4.725 = ±0.012]

ANGLES = ±1°

MATERIAL: SEE NOTES

ENGINEER: WIKI DATE: 23-Jun-20

TITLE: HIGH PERFORMANCE R/A SMA PLUG - SMA JACK ADAPTER

SHEET NO. 2 OF 2 SCALE: 6.0:1.0

SIZE: B		DRAWING NO. AD-SMAPSMAJ-2		REV: A
		ITEM NO. AD-SMAPSMAJ-2		
		PART NO. AD-SMAPSMAJ-2		

5

4

3

2

1