

NOTES:

1. MATERIAL AND FINISH (PLATING THICKNESS IN MICRO-INCHES):  
 BODY - BRASS, ALBALOY PLATING  
 CONTACT BODY - PHOSPHOR BRONZE, ALBALOY PLATING  
 CONTACT PIN - BERYLLIUM COPPER, SILVER PLATING  
 INSULATOR - PTFE, NATURAL

2. ELECTRICAL:

- A. IMPEDANCE: 50 OHM
- B. FREQUENCY RANGE: DC-6 GHz
- C. RETURN LOSS: 1.08 MAX. @ DC-4GHz  
 1.1 MAX. @ 4-6 GHz
- D. INSERTION LOSS: 0.05+0.05\*SQRT(f) dB
- E. INTERMODULATION 3RD ORDER: -166 dBc MAX. (2\*43 dBm)
- F. DIELECTRIC WITHSTANDING VOLTAGE: 2500 VRMS. MIN. 60 Hz
- G. INSULATION RESISTANCE: 5000 MΩ MIN.

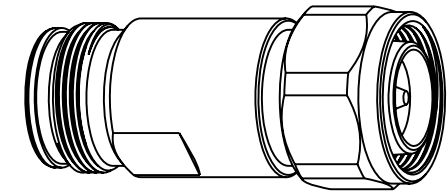
3. MECHANICAL:

- A. DURABILITY: 100 CYCLES MIN.
- B. TEMPERATURE RANGE: -65°C TO +165°C
- C. OPERATING TEMPERATURE: -55°C TO +90°C

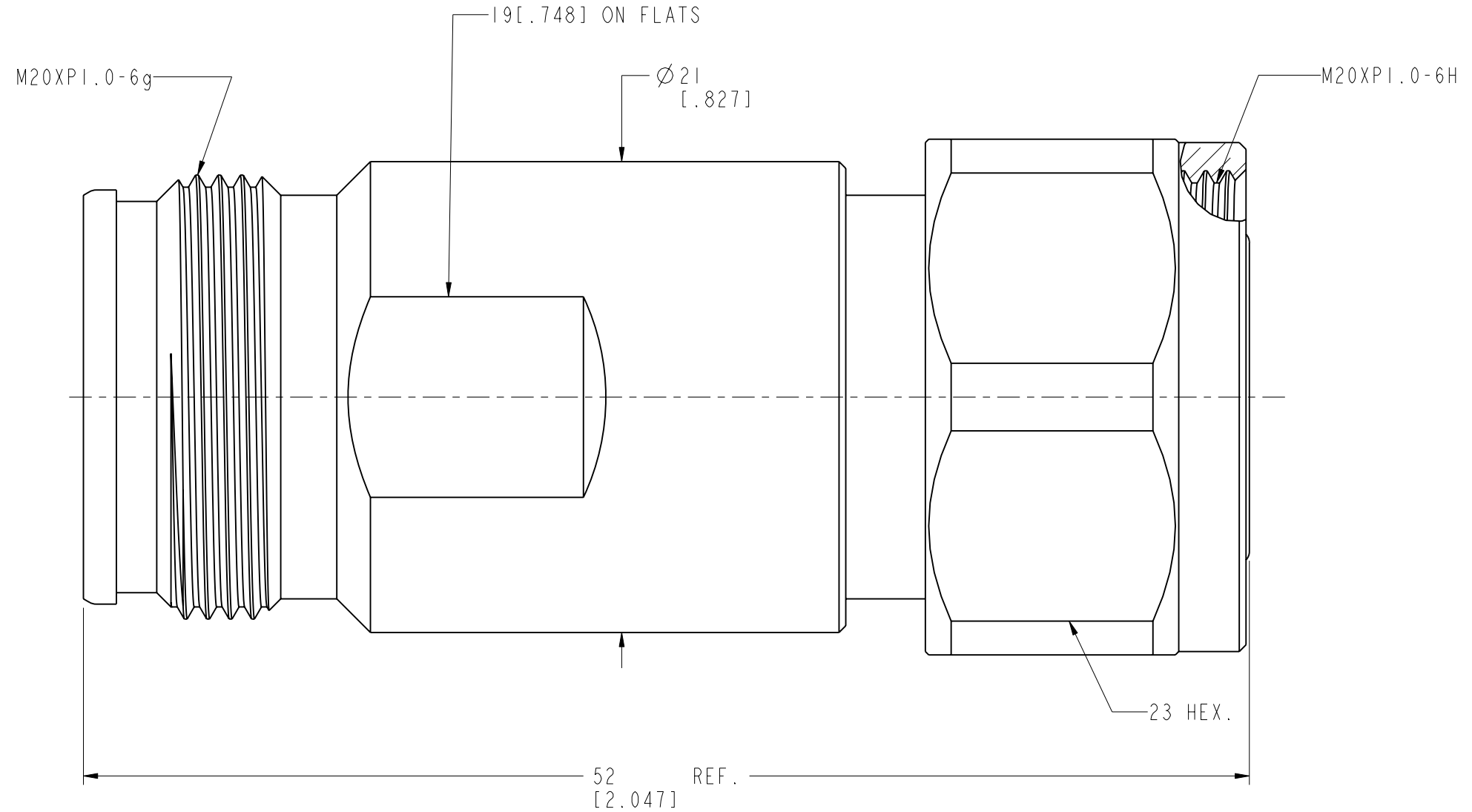
THIRD ANGLE PROJ.

REVISIONS

REV	DESCRIPTION	DATE	ECO	APPR
A	RELEASE TO MFG.	29-Mar-16	00201	KCE
B	NOTE 3A 100 WAS 500	1/9/17	02802	KCE



SCALE 1.000



**CUSTOMER OUTLINE DRAWING**

ALL OTHER SHEETS ARE FOR INTERNAL USE ONLY

UNLESS OTHERWISE SPECIFIED, DIMENSIONS ARE IN METRIC AND TOLERANCES ARE:  
 <0.5mm ±0.05mm    0.5 - 6mm ±0.1mm    6 - 30mm ±0.2mm    30 - 120mm ±0.3mm    ANGLES ±1°

NOTICE - These drawings, specifications, or other data (1) are, and remain the property of Amphenol corp. (2) must be returned upon request; and (3) are confidential and not to be disclosed to any person other than those to whom they are given by Amphenol Corp. the furnishing of these drawings, specifications, or other data by Amphenol Corp., or to any other person to anyone for any purpose is not to be regarded by implication or otherwise in any manner licensing, granting rights to permitting such holder or any other sperson to manufacture, use or sell any product, process or design, patented or otherwise, that may in any way be related to or disclosed by said drawings, specifications, or other data.

MATERIAL -	DRAWN K. SONG	DATE 16-Jan-17	TITLE 4.3-10 JACK TO 4.3-10 PLUG ADAPTER	Amphenol RF www.amphenolrf.com
	ENGINEER H. HE	DATE 29-Mar-16		
REFERENCE EAR#6396	APPROVED S. HSIEH	DATE 17-Jan-17	SCALE: 4.0:1.0	DRAWING NO. 4310M-4310F1-ATS-50
CONFIGURATION LEVEL:	CAD FILE		SHEET 2 OF 2	
FINISH			DWG SIZE B	REV B
				ITEM NO. 88M-88F1-AB-5-F
				PART NO. AD-4310P4310J-1