

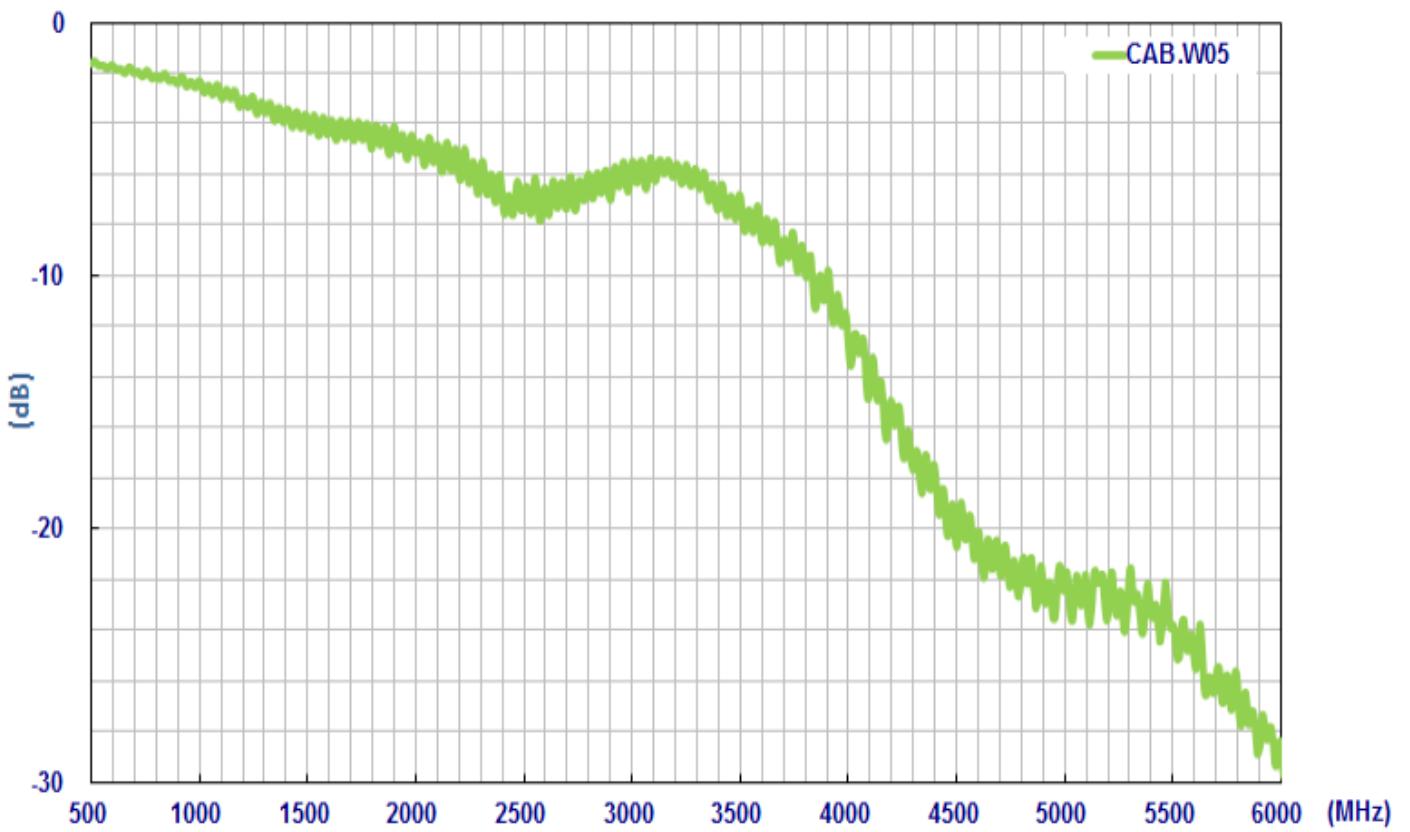
## SPECIFICATION

Part No. : **CAB.W05**  
Product Name : Taoglas Cable Assembly  
NMO Magnet Mount - 3/4 inch Hole Brass Mount type to  
SMA(M) Straight Plug  
with 3M CFD-200 cable

Photo :

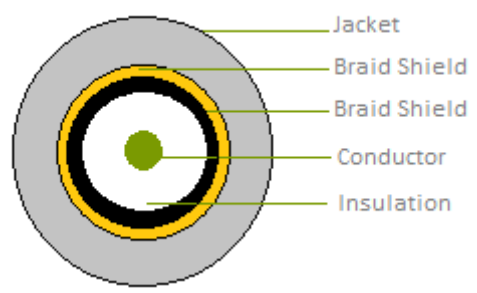


## 1. Cable Insertion Loss

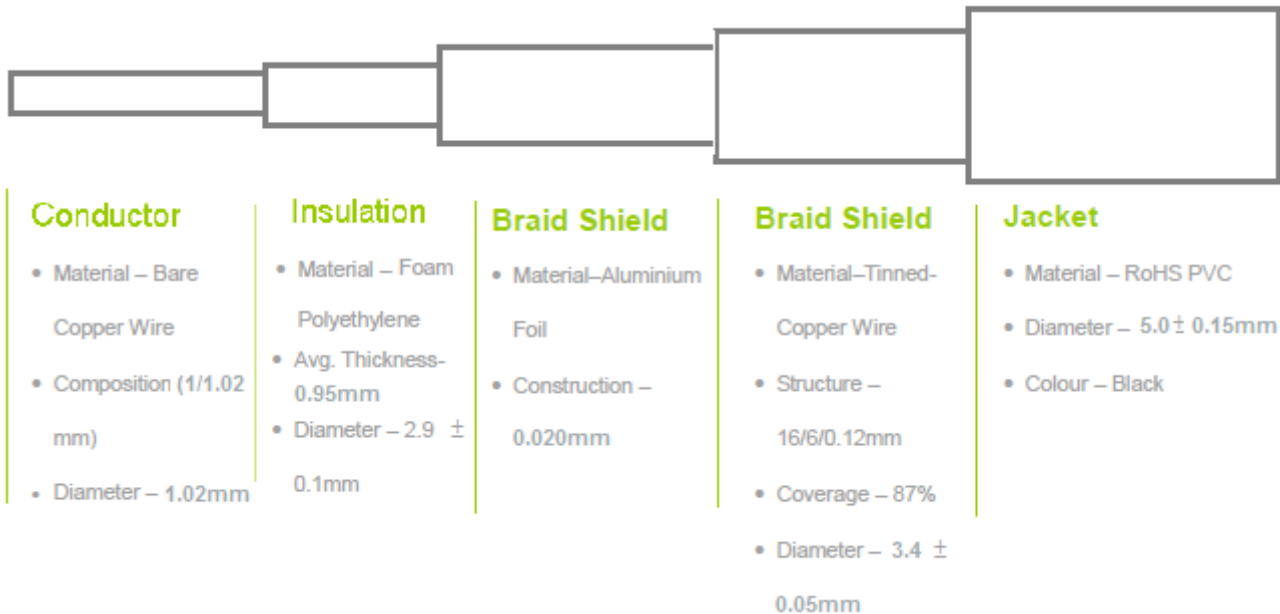


## 2. CFD-200 Cable Specification

### 2. Drawing – Cross Section



## 2.2 Structure and Dimensions

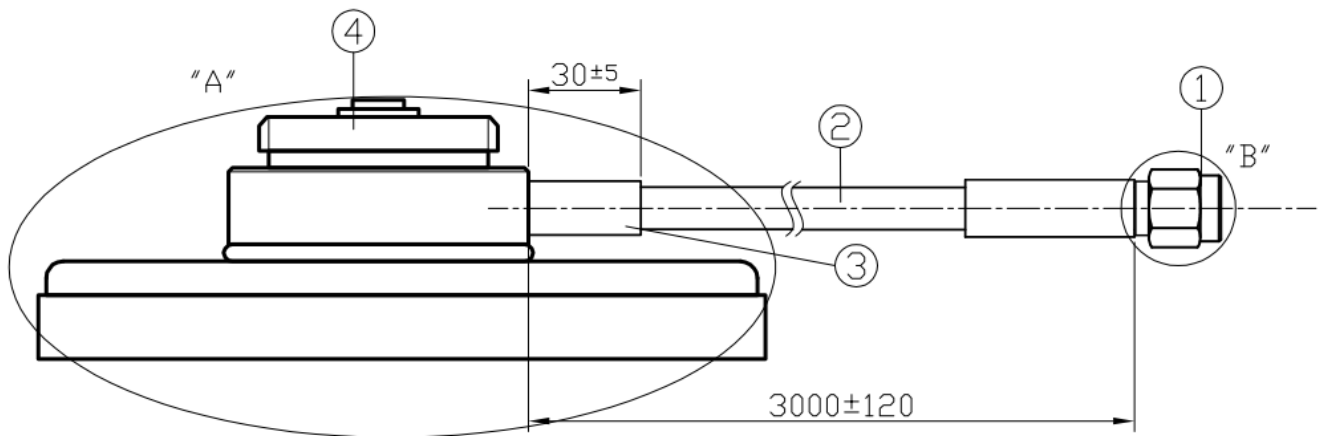


## 2.3 Electrical & Physical Specification

ELECTRICAL						
Attenuation	150MHz	450MHz	900MHz	1500MHz	1800MHz	2500MHz
dB/100M	12.1	21.6	31.2	41.1	45.3	54.4
Insulation Resistance	1000 MΩ-Km (Min)					
Capacitance	80.4 ± 3 pF/m					
Nom. Impedance	53 ± 3 Ω					
MECHANICAL						
Cable Type	CFD-200 coaxial cable					
Cable length	3 Meters					
Connector	NMO Magnet Mount - 3/4 inch Hole Brass Mount type SMA(M)					
Connector Max. Torque	0.9N·m					
Weight	300g					
ENVIRONMENTAL						
Temperature Range	-40°C to 85°C					
Humidity	Non-condensing 65°C 95% RH					

### 3. Technical Drawing

#### 3.1 CAB.W05



	Name	Material	Finish	QTY
1	SMA(M) ST	Brass	Gold	1
2	CFD200 Coaxial Cable	PVC	Black	1
3	Heat Shrink Tube	PE	Black	1
4	NMO(MM)	Brass	Ni Plated	1

### 3.2 Connectors

