



TAOGLAS®



Datasheet

CAB.955

Description:

N Type Jack with O-Ring to 100mm (3.93") RG-316 SMA(M)ST PLUG

Features:

- Cable Assembly
- N Type Jack with O-Ring
- SMA(M)ST PLUG
- 100mm RG-316 cable
- RoHS & Reach Compliant

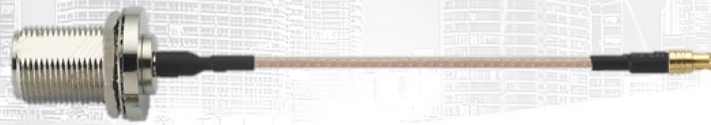
1.	Introduction	3
2.	Cable Specifications	4
3.	Cable Insertion Loss	6
4.	Mechanical Drawing	7
<hr/>		
	Changelog	8

Taoglas makes no warranties based on the accuracy or completeness of the contents of this document and reserves the right to make changes to specifications and product descriptions at any time without notice. Taoglas reserves all rights to this document and the information contained herein.

Reproduction, use or disclosure to third parties without express permission is strictly prohibited.



1. Introduction



The Taoglas CAB.955 is a RG-316 cable of 100m length with SMA female bulkhead connector and N Type Jack with O-Ring. As one of a great range of Taoglas' standard cables the CAB.955 is ideal for use by worldwide RF professionals. Taoglas also provides [custom cables](#) through our Cable and Connector Division. When a custom cable is required this is the perfect tool for building your own cable variant.

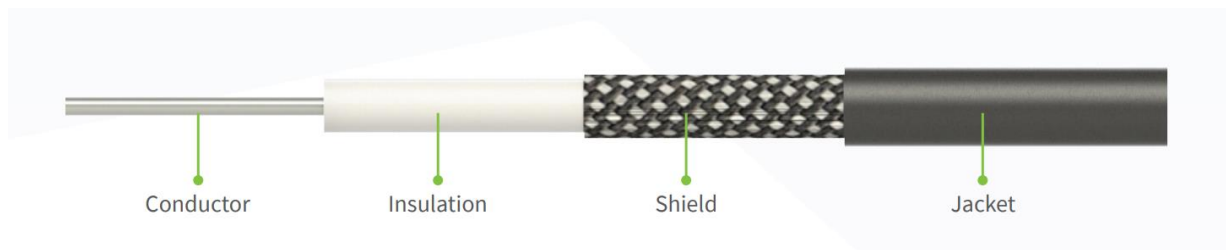
Taoglas provides customized length and connector variants subject to MOQ. Contact your regional Taoglas customer support team for further details.

2. Cable Specifications – 0.047” Semi Rigid

2.1 Cross Section



2.2 Structure and Dimensions



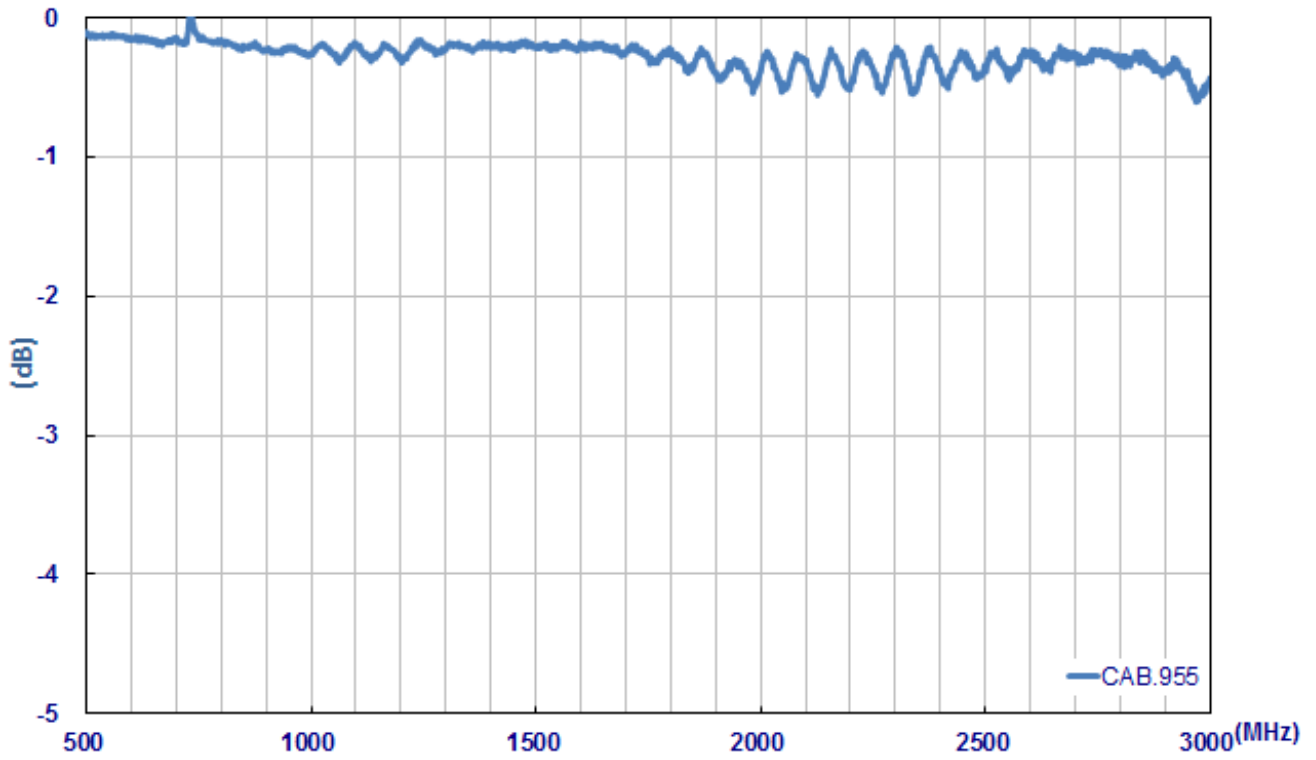
Part Designation	Material	Outer Diameter
Conductor	SCCS	0.51
Dielectric	PTFE	1.52
Shield	SPC	1.91
Jacket	FEP	2.49 ± 0.08

2.3 Cable Specifications

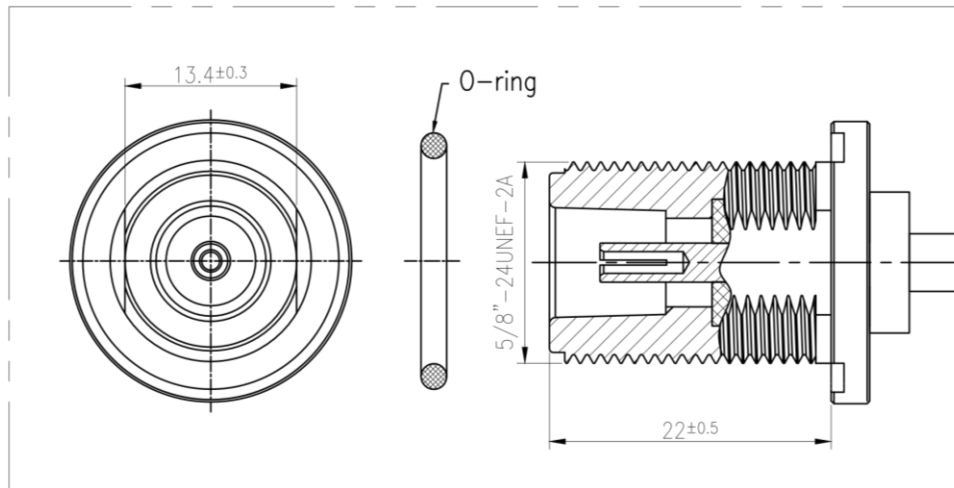
Rating Temp Voltage:	105°C 30V	
Insulation Resistance:	3000 MEGA OHM-KM Min.	
Conductor Resistance:	302 OHM/KM/20°C Max.	
Dielectric Strength:	AC 1.0 KV/minute	
Spark test:	5 KV	
Nom. Impedance	50 +/- 3 Ohms	
Nom. Capacitance	96 +/- 3 pF/m	
Nom. Vel. Of Prop.	69%	
VSWR (0-6GHz)	Max 1.3	
Standard Attenuation(dB/1 meter):	2GHz	1.35
	2.4GHz	1.5
	3GHz	1.62
	4GHz	1.91
	5GHz	2.2
	6GHz	2.7

3. Cable Insertion Loss

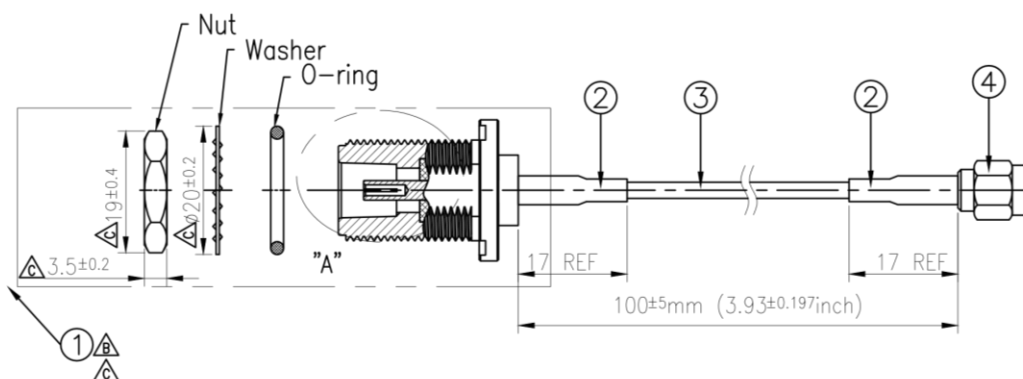
3.1 Insertion Loss



4. Mechanical Drawing (Units: mm)



Detail A
Scale:2:1



NOTES:

1. All material must be RoHS compliant.
2. Open/short, insertion loss QC required.
3. The connectors have a fixed orientation to each other.

	Name	P/N	Material	Finish	QTY
1	N Type(F)BKST	201221D01009BA	Brass	Ni Plated	1
2	Heat Shrink Tube	001315C020000A	PE	Black	2
3	RG-316 Coaxial Cable	301615C000000A	FEP	Brown	1
4	SMA(M) ST	200219K010000A	Brass	Au Plated	1

Changelog for the datasheet

SPE-13-8-082– CAB.955

Revision: B

Date:	2023-03-30
Notes:	Drawing updated
Author:	Cesar Sousa

Previous Revisions

Revision: A (Original First Release)

Date:	2013-10-21
Notes:	Initial Release
Author:	



www.taoglas.com

