

SPECIFICATION

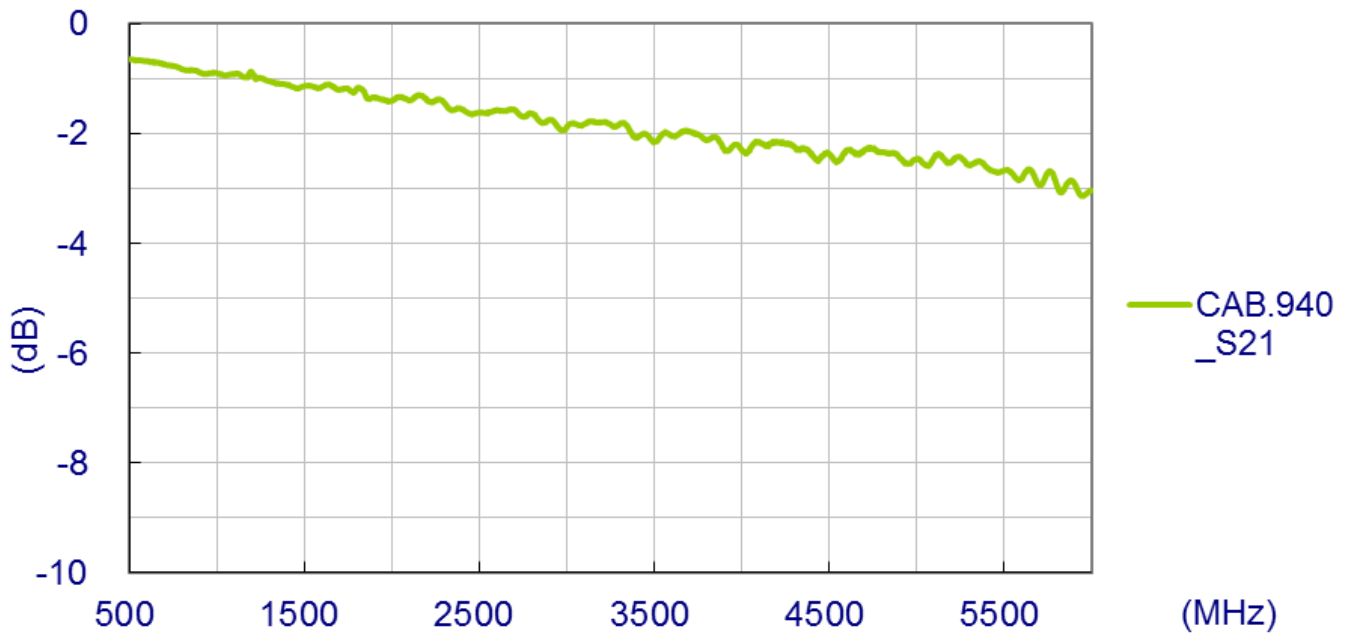
Part No. : **CAB.940**

Product Name : Taoglas Cable Assembly
Murata GSC to SMA(F)Bulkhead Straight Connector
with 200mm \varnothing 0.81 cable

Photo :

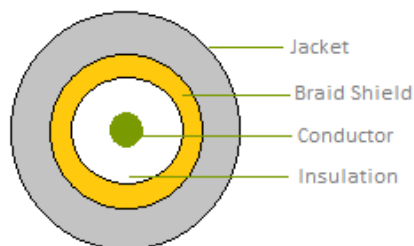


1. Cable Insertion Loss

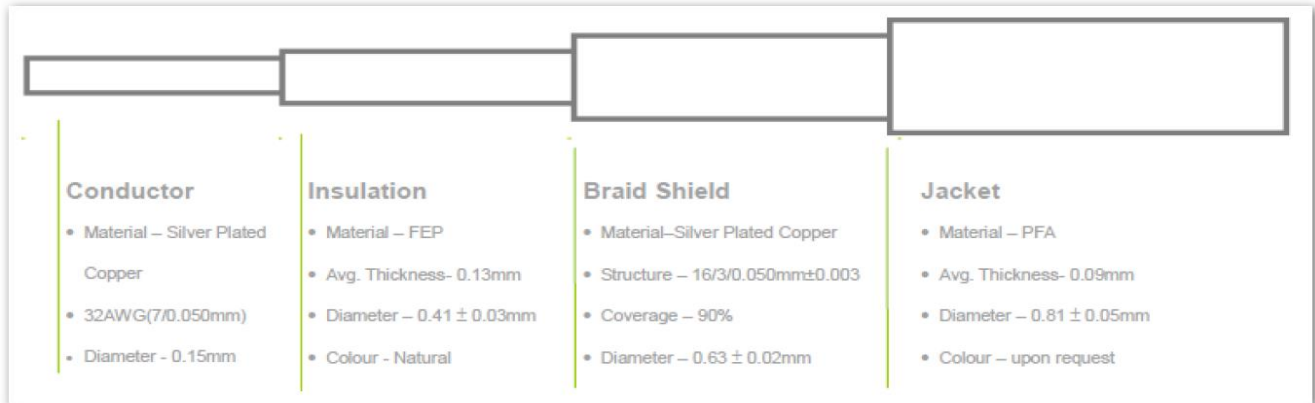


2. 0.81 Cable Specification

2.1 Drawing – Cross Section



2.2 Structure and Dimensions

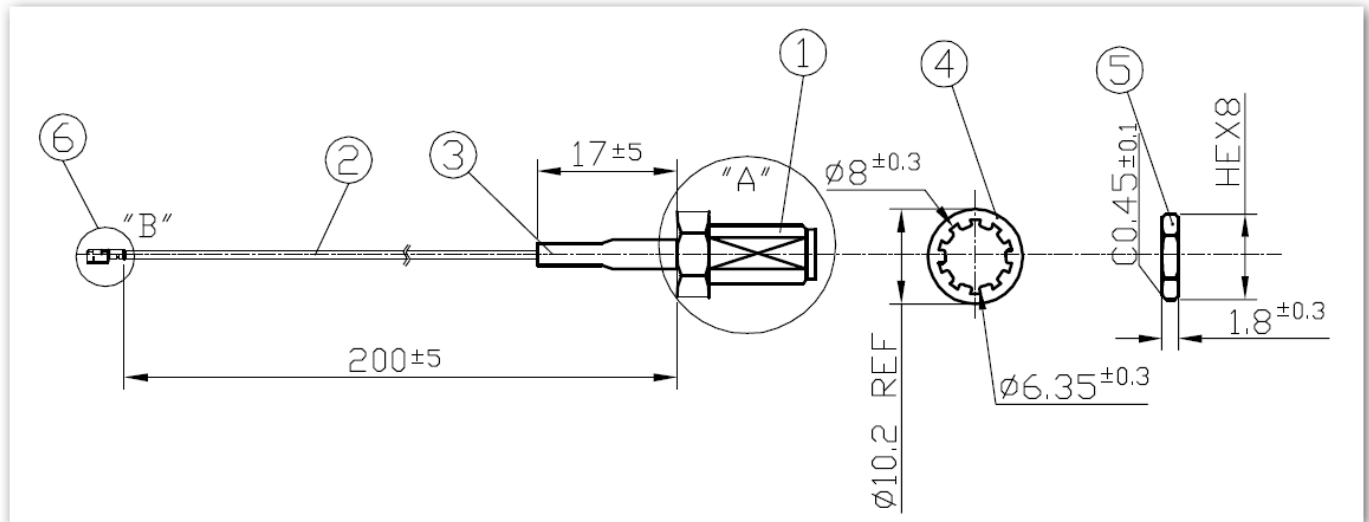


2.3 Electrical & Physical Specification

1	Insulation Resistance:	1000 MEGA OHM-KM Min.	
2	Conductor Resistance:	1400 OHM/KM/20°C Max.	
3	Dielectric Strength:	AC 1.0 KV/minute	
4	Spark test:	2.5 KV	
5	Nom. Impedance	50 ± 3 Ohms	
6	Nom. Capacitance	97 ± 3 pF/m	
7	Attenuation (dB/1M)	2.0GHz	3.60
		2.4GHz	5.10
		3.0GHz	6.20
		4.0GHz	7.50
		5.0GHz	8.50
		6.0GHz	9.40

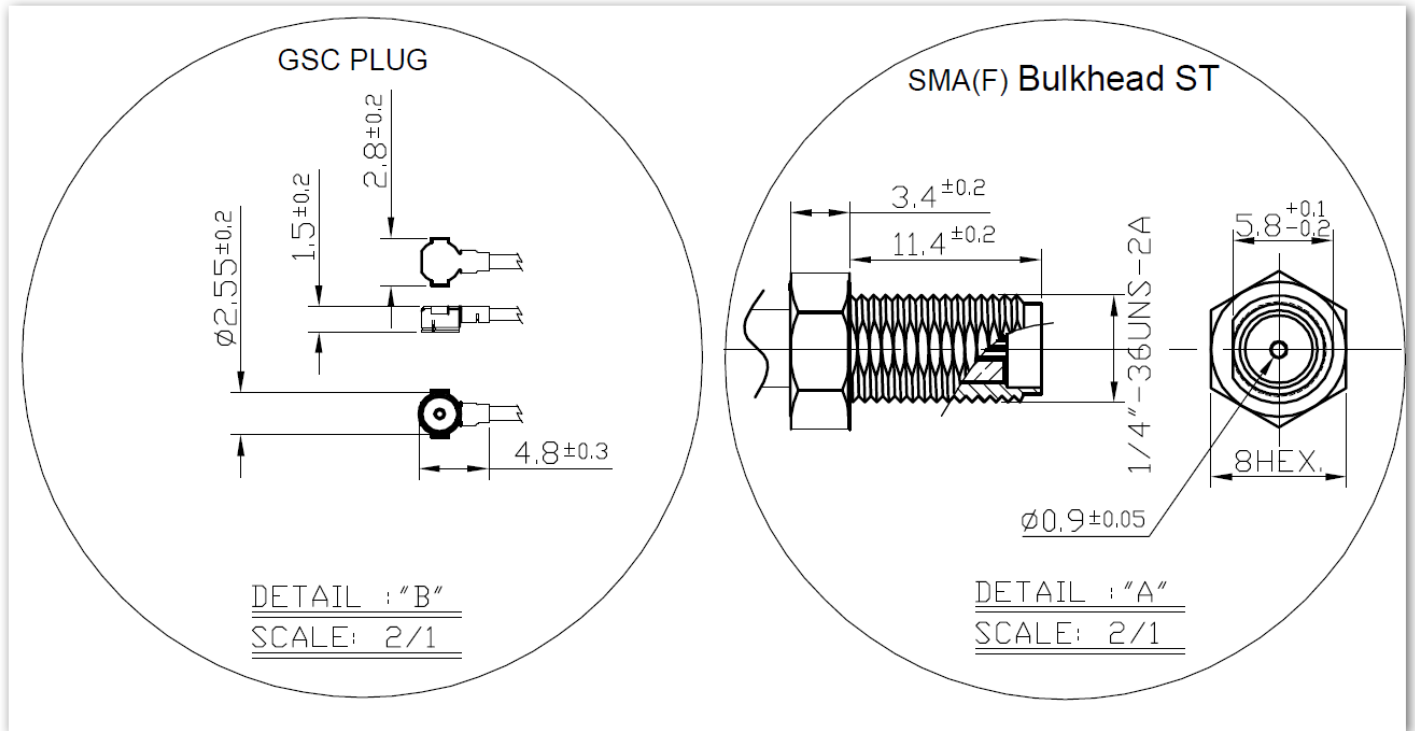
3. Technical Drawing

3.1 CAB.940



	Name	Part No.	Material	Finish	QTY
1	SMA(F) Bulkhead ST	SMA.F.ST.JACK.113.J	Brass	Gold	1
2	0.81 Coaxial Cable	OD.081.J	FEP Jacket	White	1
3	Heat Shrink Tube	001311H000013A	PE	Black	1
4	Washer		Brass	Gold	1
5	Nut		Brass	Gold	1
6	GSC PLUG	MUR.GSC.081	Brass	Silver	1

3.2 Connectors



3.3 Recommended Mounting Hole – SMA(F) Bulkhead

