

CAB PC 504020 T

FIBOX
Enclosing innovations



Sample image

Order symbol: CAB PC 504020 T

Product nbr: 8113060

UL Code: 8143060

UL Name: UL CAB PC 504020 T

Description: Smoked transparent door

Remarks: Latches on the long side

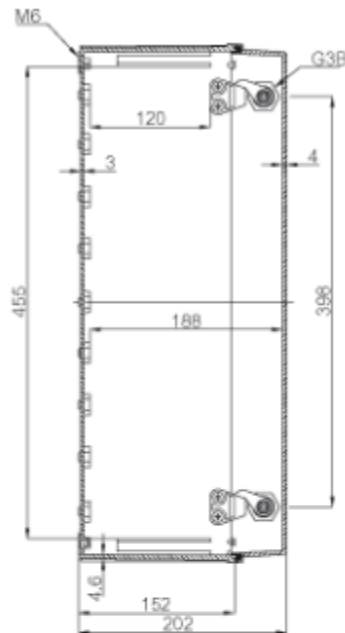
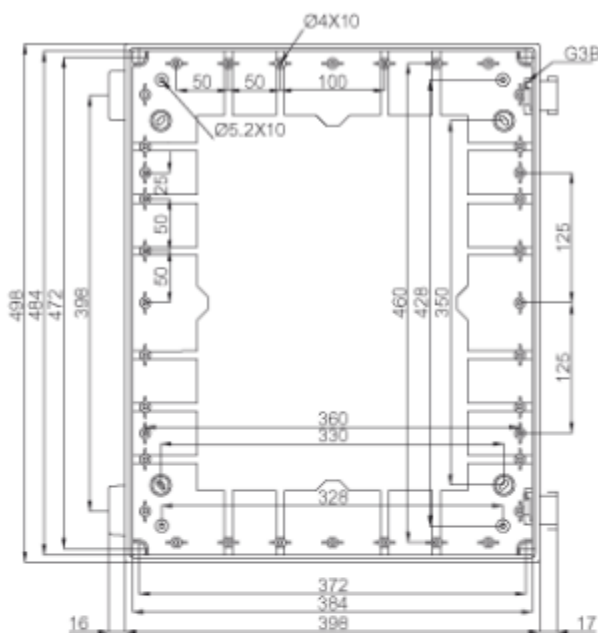
Including: Cabinet base, door with PUR gasket, latches, screws for mounting plate/DIN-rail and corner plugs.

EAN: 64 18074020338

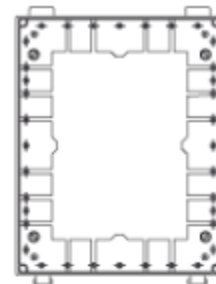
El. number:

- Finland: 3424170
- Denmark: 8212020278
- Sweden: 2539951

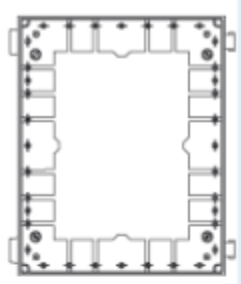
CAB 500x400x200



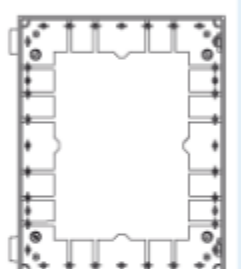
CAB 4050



CAB 5040



CAB 5040 G3B



| Dimensions: | Height | Width | Depth |
|-------------|--------|-------|-------|
| mm: | 500 | 400 | 200 |
| inch: | 19.69 | 15.75 | 7.87 |

Materials:

| | |
|------------------|----------------------|
| Material: | Polycarbonate |
| Base colour: | RAL 7035 -light grey |
| Cover colour: | Clear transparent |
| Gasket material: | Polyurethane |

Temperatures:

| | |
|------------------------------|-------------|
| Temperature °C (short term): | -40 ... 120 |
| Temperature °C (continuous): | -40 ... 80 |
| Temperature °F (short term): | -40 ... 250 |
| Temperature °F (continuous): | -40 ... 175 |

Rating:

| | |
|--|-------------------|
| Ingress protection (EN 60529): | IP65; |
| Impact Resistance (EN 62262): | IK08; |
| Electrical insulation: | Totally insulated |
| Halogen free (DIN/VDE 0472, Part 815): | 1 |
| UV resistance: | UL 508 |
| Flammability Rating: | UL 746C 5" |
| Glow Wire Test (IEC 695-2-1) °C: | 960 °C |
| NEMA Class | |

Certificates:

Certificate FI 40854