



**American Opto Plus LED Corp.**  
**Case Mold Type LED Display**  
**C/A1501LB G/W**

● **EDIT HISTORY**

Version A: Sep.1, 2011

New color data sheet.

Manufacture	Examination	Approving



# American Opto Plus LED Corp.

## Case Mold Type LED Display

### C/A1501LB G/W

#### ● FEATURES

- 1.50 inch (38.10 mm) Digit Height.
- Low current operation..
- Case mold type.
- Gray face, White segment.
- RoHS compliant, Pb Free.

#### ● DESCRIPTION

The C/A1501LB G/W is a 1.50 inch (38.10 mm) height single 7-segment display.

This device utilizes super bright blue LED chip which are made from InGaN on a transparent GaN substrate. The display has Gray face, White segment.

#### ● DEVICE

PART NO	DESCRIPTION
Super Bright Blue	
A1501LB G/W	Common Anode
C1501LB G/W	Common Cathode

#### RoHS Compliance



#### Pb free.



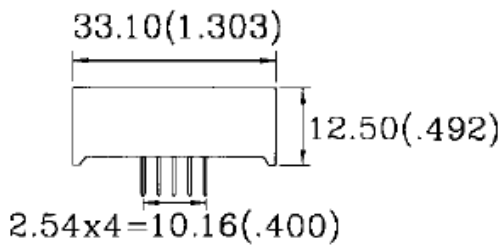
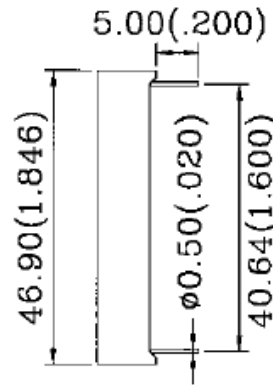
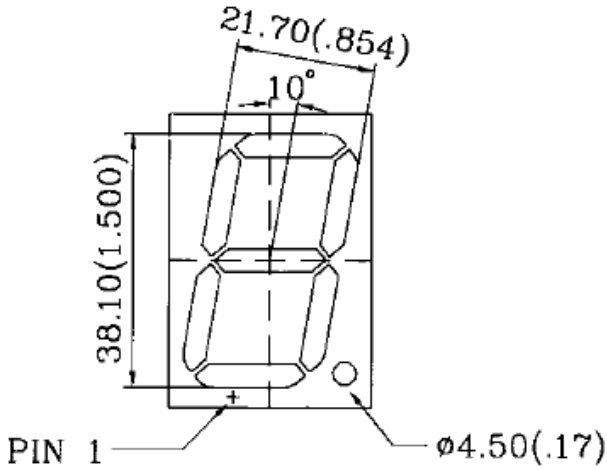


# American Opto Plus LED Corp.

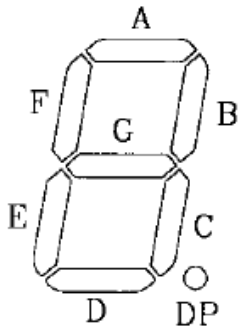
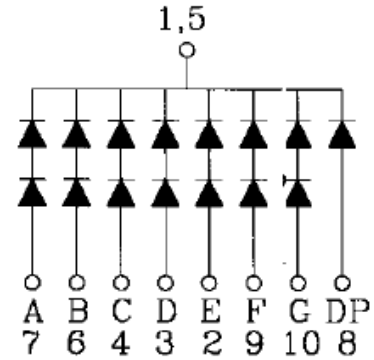
## Case Mold Type LED Display

### C/A1501LB G/W

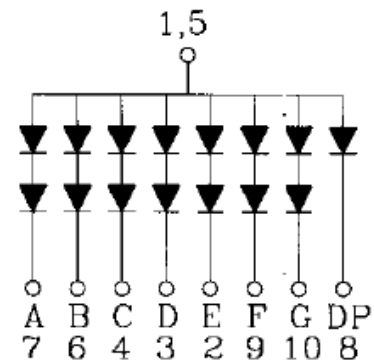
#### ● MECHANICAL DIMENSIONS



C-1501X



A-1501X



NOTES: All dimensions are in millimeters. Tolerances are  $\pm 0.25$  mm unless otherwise noted.



**American Opto Plus LED Corp.**  
**Case Mold Type LED Display**  
**C/A1501LB G/W**

● **B: SUPER BRIGHT BLUE (InGaN/GaN)**

ABSOLUTE MAXIMUM RATING AT Ta=25°C

Parameter	Symbol	Super Bright Blue	Unit
Power dissipation per dice	P <sub>AD</sub>	120	mW
Derating liner from 25°C per dice	-	0.4	mA / °C
Continuous forward current per dice	I <sub>AF</sub>	30	mA
Peak current per dice (duty cycle 1/10, 1kHz)	I <sub>PF</sub>	100	mA
Reverse voltage per dice	V <sub>R</sub>	5	V
Operating temperature	T <sub>OPR</sub>	-25 to +85	°C
Storage temperature	T <sub>STG</sub>	-25 to +85	°C

ELECTRICAL - OPTICAL CHARACTERISTICS AT Ta=25°C

Characteristic	Symbol	Condition	Min.	Type.	Max.	Unit
Power dissipation per Segment(DP)	V <sub>F</sub>	I <sub>F</sub> =20mA	-	6.0 (3.0)	7.2 (3.6)	V
Reverse current per Segment (DP)	I <sub>R</sub>	V <sub>R</sub> =16V V <sub>R</sub> =8V	-	-	10	μA
Dominant wavelength per dice	λ <sub>D</sub>	I <sub>F</sub> =20mA	460	465	470	nm
Luminous intensity	I <sub>v</sub>	I <sub>F</sub> =20mA	-	40	-	mcd
Spectral radiation bandwidth	Δλ	I <sub>F</sub> =20mA	-	30	-	nm



# American Opto Plus LED Corp.

## Case Mold Type LED Display

### C/A1501LB G/W

#### ● B: SUPER BRIGHT BLUE (InGaN/GaN) CURVE

Typical Electro-optical Characteristic Curves  
(25 °C Free Air Temperature Unless Otherwise Specified)

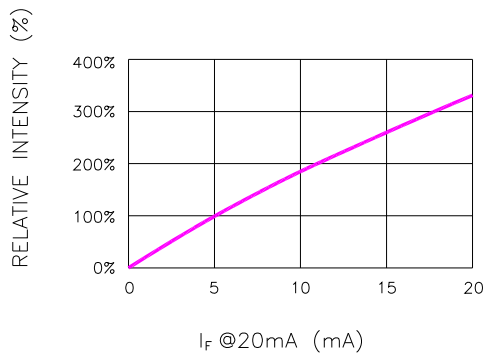


Fig.1 RELATIVE INTENSITY VS. FORWARD CURRENT

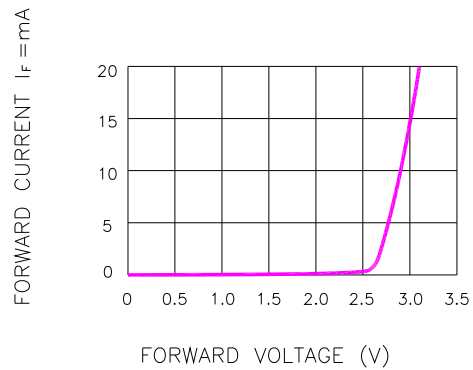


Fig.2 FORWARD CURRENT VS. FORWARD VOLTAGE

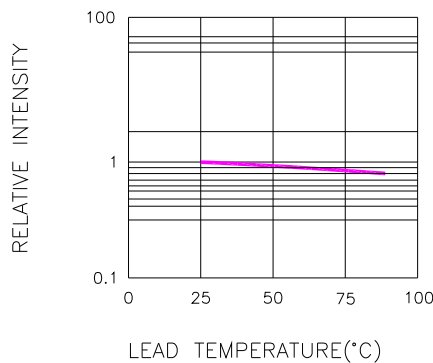


Fig.3 RELATIVE INTENSITY VS. LEAD TEMPERATURE  
(PULSED 20 mA; 300us PULSE, 10ms PERIOD)

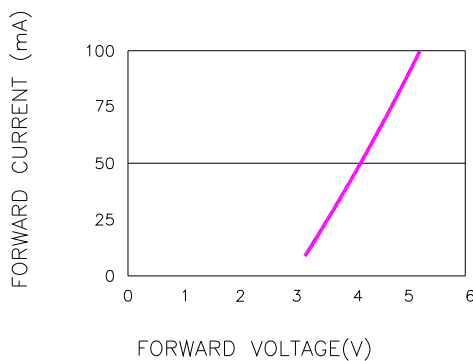


Fig.4 PEAK FORWARD VOLTAGE VS. FORWARD CURRENT  
(100us TEST PULSE, 1% DUTY CYCLE)

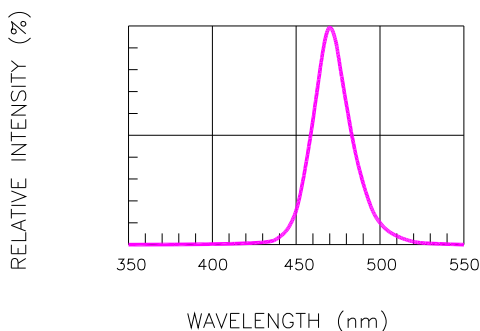


Fig.5 RELATIVE INTENSITY VS. WAVELENGTH

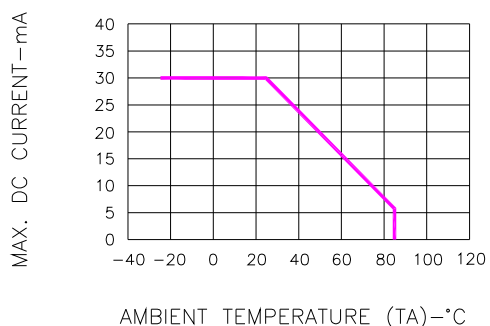


Fig.6 MAX. ALLOWABLE DC CURRENT VS. AMBIENT TEMPERATURE



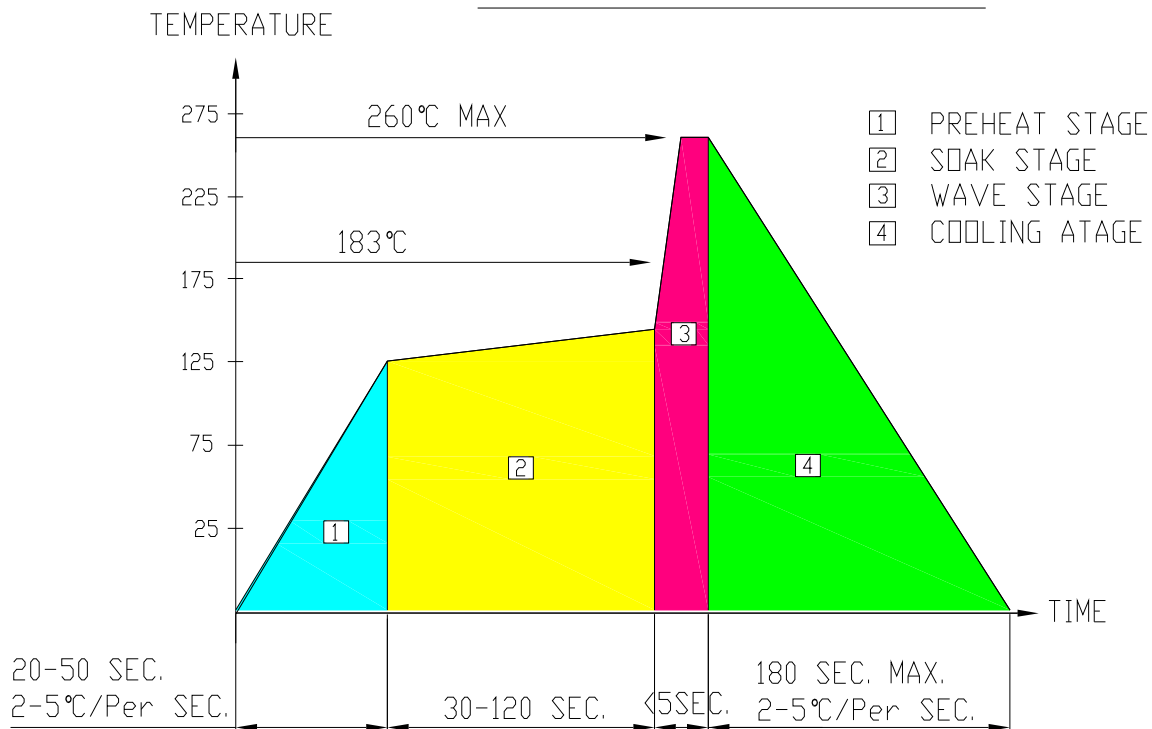
# American Opto Plus LED Corp.

## Case Mold Type LED Display

### C/A1501LB G/W

#### ● RECOMMEND SOLDERING PROFILE

#### WAVE SOLDER PROFILE



#### ● SOLDERING IRON

Basic spec is  $\leq 4$  sec when 260°C. If temperature is higher, time should be shorter (+10°C → 1 sec). Power dissipation of Iron should be smaller than 15W, and temperature should be controllable. Surface temperature of the device should be under 230°C.

#### ● REWORK

Customer must finish rework within  $\leq 4$  sec under 245°C.