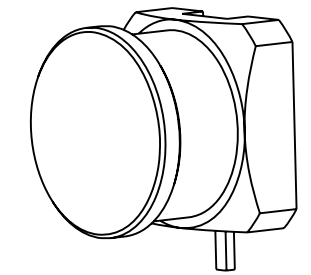


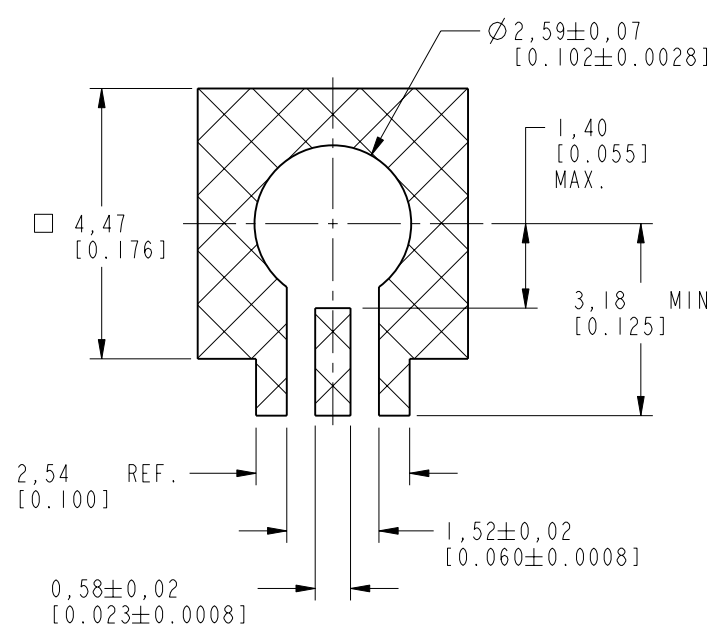
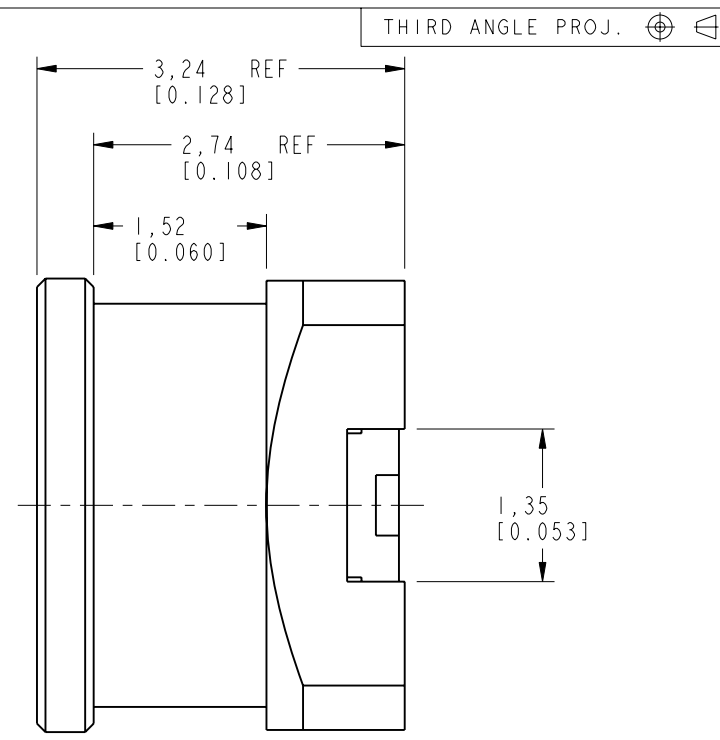
NOTES:

1. MATERIALS & FINISHES:  
 BODY - BRASS - GOLD PLATING (0.000030 MIN.)  
 CONTACT - BRASS - GOLD PLATING (0.000030 MIN.)  
 INSULATOR - LCP, NATURAL
2. ELECTRICAL:  
 A. IMPEDANCE : 50 OHM  
 B. FREQUENCY RANGE : DC - 10 GHz  
 C. CONNECTOR ONLY VSWR: 1.15:1 MAX AT DC - 10 GHz  
 D. DIELECTRIC WITHSTANDING VOLTAGE : 500 VRMS MIN.  
 E. INSULATION RESISTANCE : 1,000 MEGOHMS MIN.
3. MECHANICAL:  
 A. DURABILITY : 100 MATING CYCLES MIN.  
 B. TEMPERATURE RANGE : -65°C TO +165°C
4. PACKAGING:  
 A. QUANTITY: 50 PCS/TRAY  
 B. MARKING: TRAY TO BE MARKED:  
 "AMPHENOL RF, 925-144J-51P, DATE CODE"

		REVISIONS		
REV	DESCRIPTION	DATE	ECN	APPR
A	RELEASE TO MFG.	04-JUL-16	00941	RM
B	NOTE 4A WAS TAPE AND REELVD-DMI701240IR3	11-FEB-17	02466	RM
C	UPDATED FREQUENCY	28-Nov-18	09761	EH



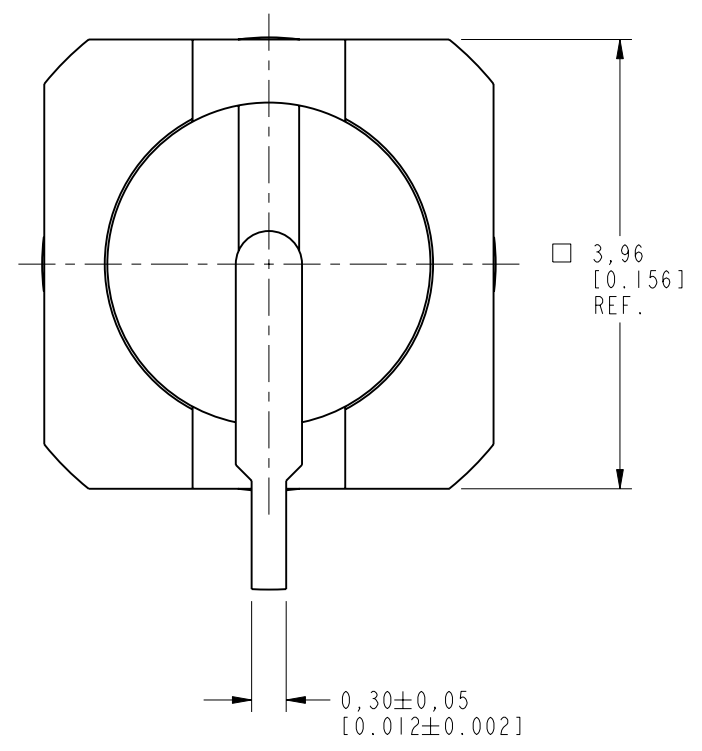
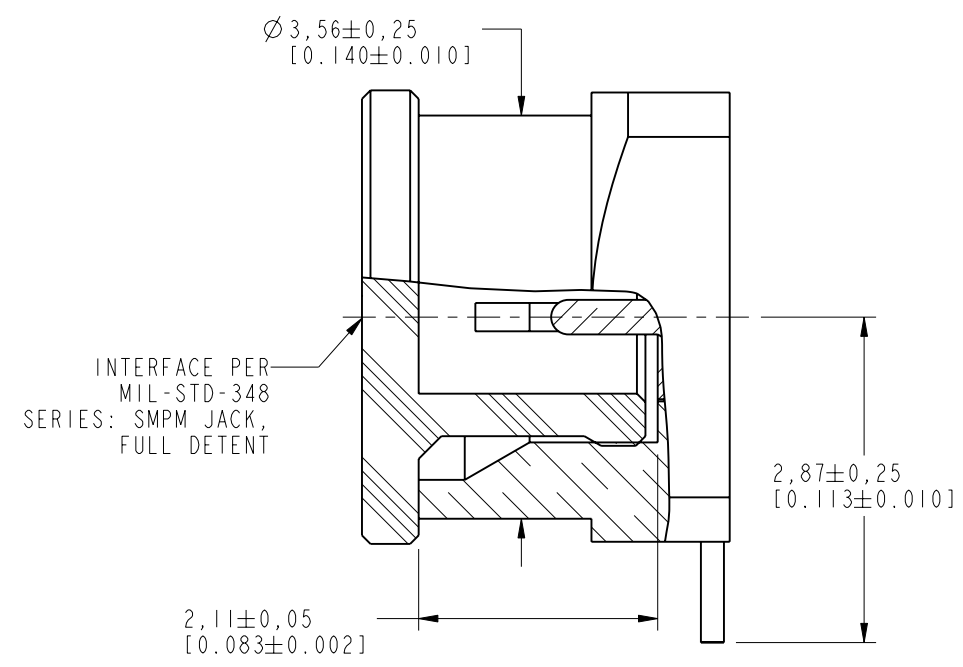
SCALE 7.000



**RECOMMENDED PCB LAYOUT**

DESIGNED FOR USE WITH 0.25 [0.010] THICK ROGERS 4350 PCB MATERIAL

THESE DIMENSIONS MAY VARY DEPENDING ON PCB MATERIAL USED



**CUSTOMER OUTLINE DRAWING**  
 ALL OTHER SHEETS ARE FOR INTERNAL USE ONLY

UNLESS OTHERWISE SPECIFIED, DIMENSIONS ARE IN METRIC AND TOLERANCES ARE: <0.5mm ±0.05mm    0.5 - 6mm ±0.1mm    6 - 30mm ±0.2mm    30 - 120mm ±0.3mm    ANGLES ±1°	MATERIAL SEE NOTES	DRAWN W. ZENG	DATE 29-Nov-18	TITLE SMPM MALE, SURFACE MOUNT, SMOOTH BORE	Amphenol RF www.amphenolrf.com
	REFERENCE EAR# 5317	ENGINEER S. DUAN	DATE 29-Nov-18		
NOTICE - These drawings, specifications, or other data (1) are, and remain the property of Amphenol corp. (2) must be returned upon request; and (3) are confidential and not to be disclosed to any person other than those to whom they are given by Amphenol Corp. the furnishing of these drawings, specifications, or other data by Amphenol Corp., or to any other person to anyone for any purpose is not to be regarded by implication or otherwise in any manner licensing, granting rights to permitting such holder or any other person to manufacture, use or sell any product, process or design, patented or otherwise, that may in any way be related to or disclosed by said drawings, specifications, or other data.	REF:	APPROVED FIGO	DATE 29-Nov-18	SCALE: 15.0:1.0 SHEET 2 OF 2	ITEM NO. 925-144J-51P
	CONFIGURATION LEVEL: In Work	CAD FILE	DWG SIZE B	REV C	PART NO. 925-144J-51P
	FINISH				