

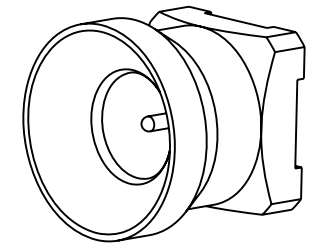
NOTES:

1. MATERIAL AND FINISHES:  
 BODY & CONTACT PIN - BRASS, GOLD PLATING  
 INSULATOR - LCP, NATURAL
2. ELECTRICAL:  
 A. IMPEDANCE: 50 OHM  
 B. FREQUENCY RANGE: DC - 6 GHz  
 C. RETURN LOSS (VSWR): 20dB (1.22) @ DC - 3 GHz  
 17dB (1.33) @ 3 - 6 GHz  
 D. CONTACT RESISTANCE: CENTER CONTACT 5 mΩ MAX.  
 OUTER CONTACT 5 mΩ MAX.  
 E. DIELECTRIC WITHSTANDING VOLTAGE: 1000 VRMS, MIN.  
 F. INSERTION LOSS: 0.1dB @ DC-3GHz  
 G. INSULATION RESISTANCE: 5000 MΩ MIN.  
 H. POWER HANDLING: 40 W @ 2.6 GHz AT 95°C  
 120 W @ 2.5 GHz AT 95°C

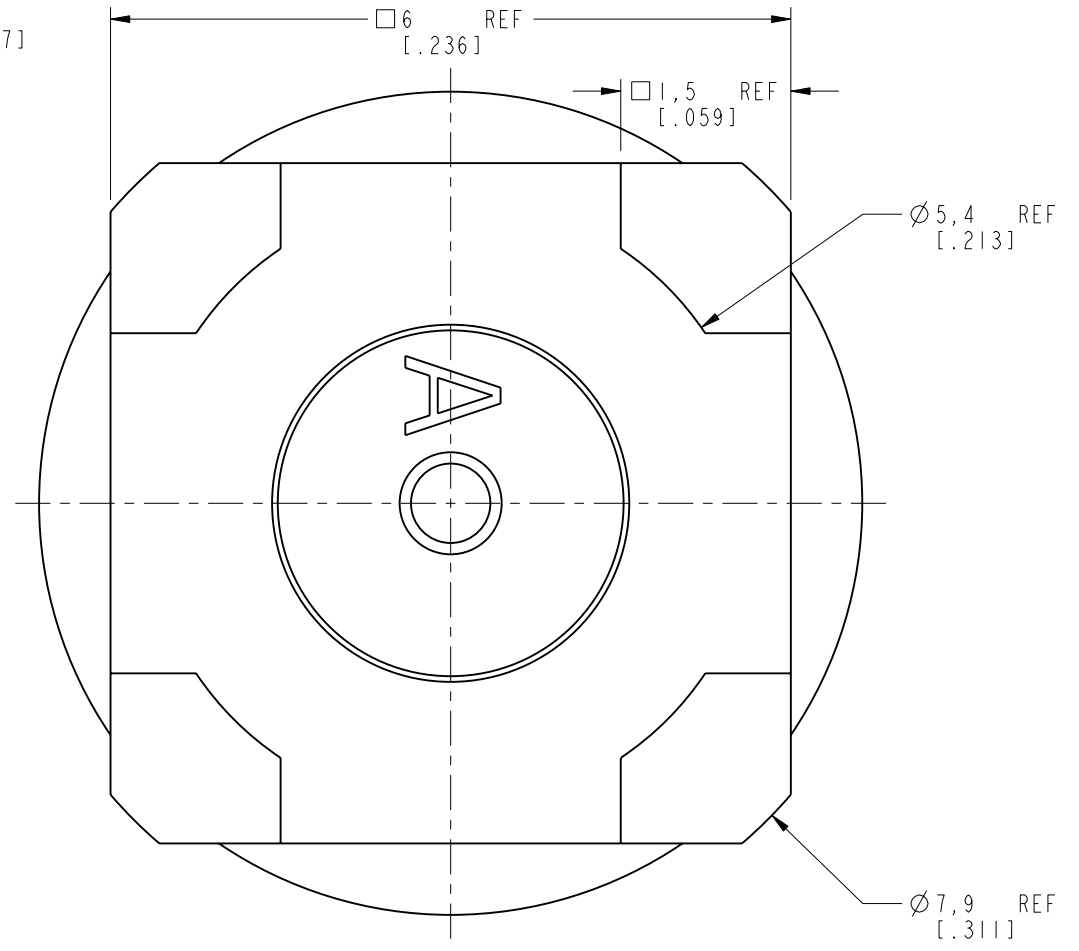
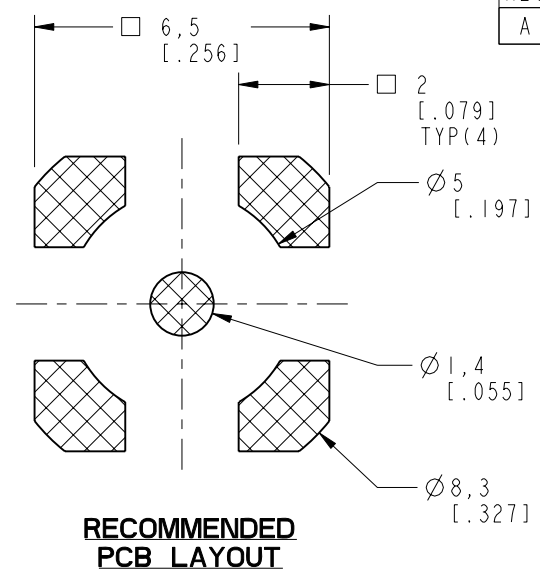
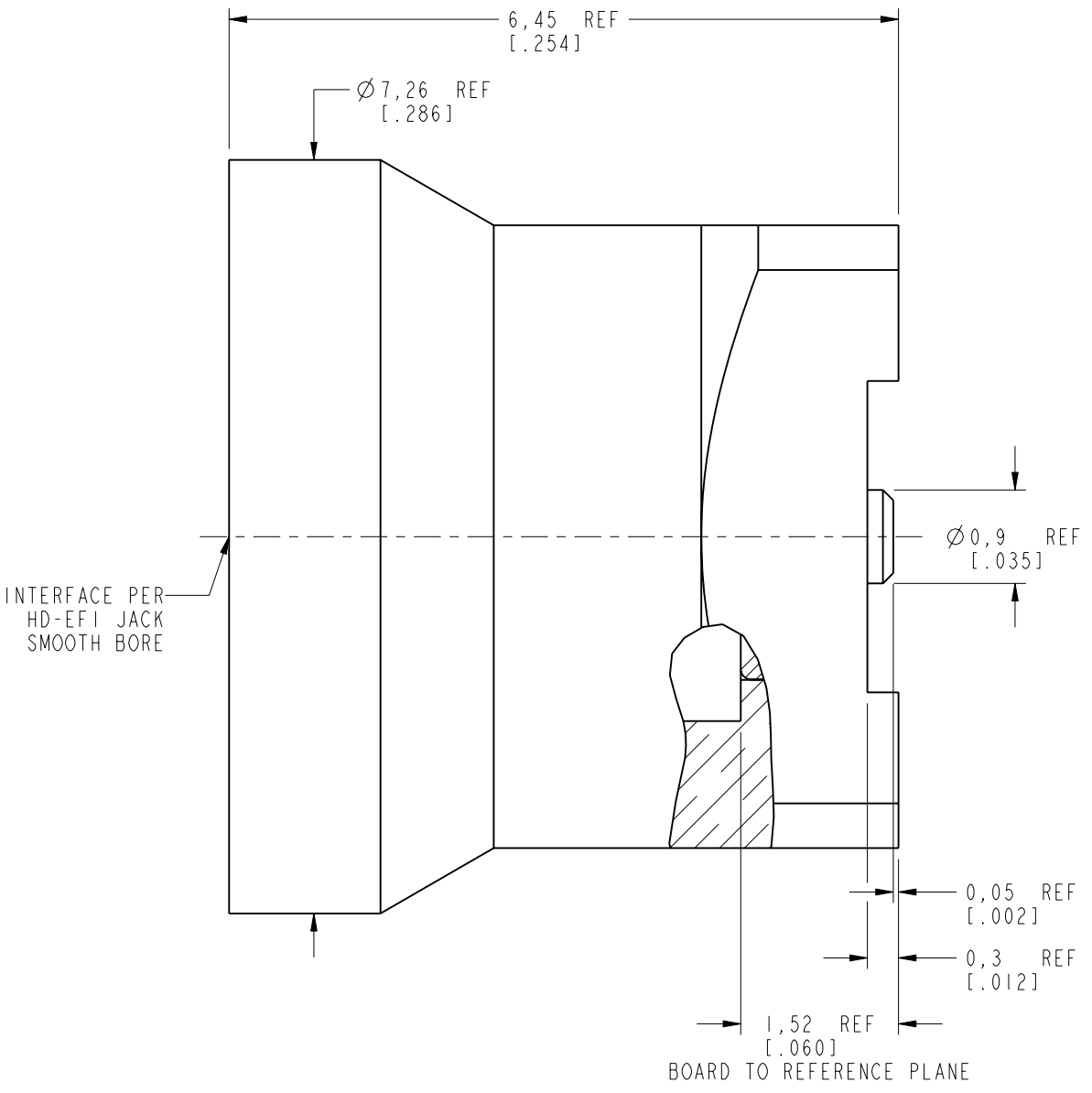
3. MECHANICAL:  
 A. MATING CYCLES: 200 MIN.  
 B. TEMPERATURE RANGE: -45°C TO +125°C
4. PACKAGING:  
 A. PACKAGE IN 50 PIECES TRAYS  
 B. MARK TRAY: "AMPHENOL RF,  
 920-501J-53P, DATE CODE"

THIRD ANGLE PROJ.

REV		DESCRIPTION	DATE	ECO	APPR
A		RELEASE TO MFG.	29-May-18	08168	BMG



SCALE 4.000



**CUSTOMER OUTLINE DRAWING**  
 ALL OTHER SHEETS ARE FOR INTERNAL USE ONLY

UNLESS OTHERWISE SPECIFIED, DIMENSIONS ARE IN METRIC AND TOLERANCES ARE: <0.5mm ±0.05mm    0.5 - 6mm ±0.1mm    6 - 30mm ±0.2mm    30 - 120mm ±0.3mm    ANGLES ±1°	MATERIAL	DRAWN	DATE	TITLE HD-EFI STR JACK SMOOTH BORE SURFACE MOUNT	Amphenol RF www.amphenolrf.com
	SEE NOTES	W. ZENG	3-Jul-18		
NOTICE - These drawings, specifications, or other data (1) are, and remain the property of Amphenol corp. (2) must be returned upon request; and (3) are confidential and not to be disclosed to any person other than those to whom they are given by Amphenol Corp., the furnishing of these drawings, specifications, or other data by Amphenol Corp., or to any other person to anyone for any purpose is not to be regarded by implication or otherwise in any manner licensing, granting rights to permitting such holder or any other person to manufacture, use or sell any product, process or design, patented or otherwise, that may in any way be related to or disclosed by said drawings, specifications, or other data.	REFERENCE AND CONFIGURATION LEVEL: In Work	ENGINEER	DATE	SCALE: 15.0:1.0	SHEET 2 OF 2
	FINISH	S. HSIEH	9-Jul-18	DWG SIZE B	REV A
		CAD FILE			ITEM NO. 920-501J-53P
					PART NO. 920-501J-53P