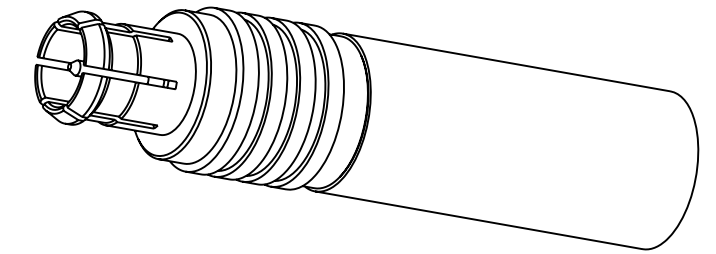


NOTES:

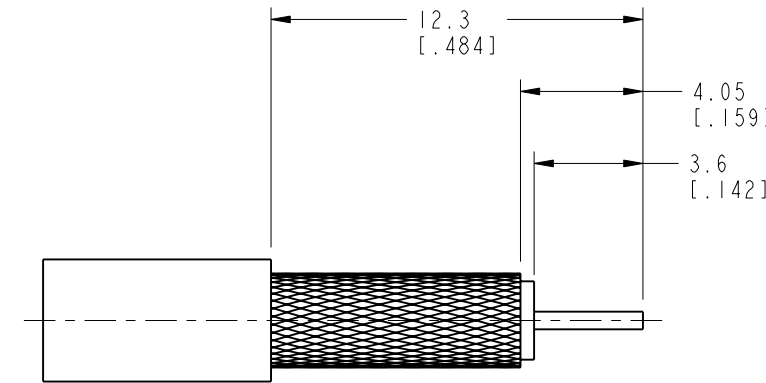
1. MATERIALS AND FINISHES:
 FERRULE - COPPER, NICKEL PLATING
 BODY - BERYLLIUM COPPER, GOLD PLATING
 REAR BODY - BRASS, GOLD PLATING
 CONTACT - BRASS, GOLD PLATING
 INSULATOR - PTFE, NATURAL
 INSULATOR BEAD - PTFE, NATURAL
2. ELECTRICAL:
 A. IMPEDANCE: 75 OHM
 B. FREQUENCY RANGE: DC-12 GHz
 C. VSWR(RETURN LOSS): 1.22 (20 dB) MAX. @ DC-6 GHz
 1.43 (15 dB) MAX. @ 6-12 GHz
 D. DIELECTRIC WITHSTANDING VOLTAGE: 500 VRMS, MIN.
3. MECHANICAL:
 A. DURABILITY: 500 CYCLES MIN.
 B. TEMPERATURE RANGE: -65°C TO +165°C
 C. DISENGAGEMENT FORCE: 8 LBS MAX.
4. CABLE ASSEMBLY INSTRUCTIONS:
 A. TRIM CABLE AS SHOWN.
 B. SLIDE FERRULE ONTO CABLE.
 C. INSERT INSULATOR BEAD ONTO CENTER CONDUCTOR.
 D. SOLDER CONTACT TO CABLE CENTER CONDUCTOR.
 E. INSERT CABLE INTO CONNECTOR WITH FOIL ENTERING CONNECTOR AND BRAID OVER KNURL.
 F. CRIMP FERRULE USING .178" HEX DIE.
5. SHOWS CABLE ENTRY DIMENSIONS.
6. PACKAGING:
 A. QUANTITY: SINGLE PACK
 B. MARKING: PACKAGING TO BE MARKED
 "AMPHENOL RF, 919-421P-71S12G & DATE CODE"

THIRD ANGLE PROJ.

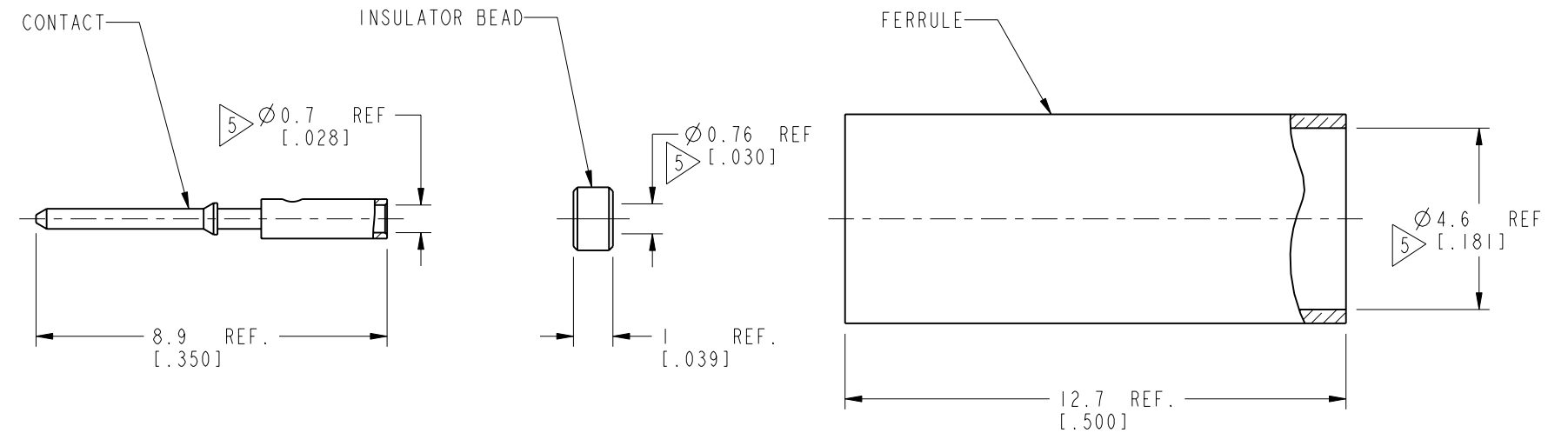
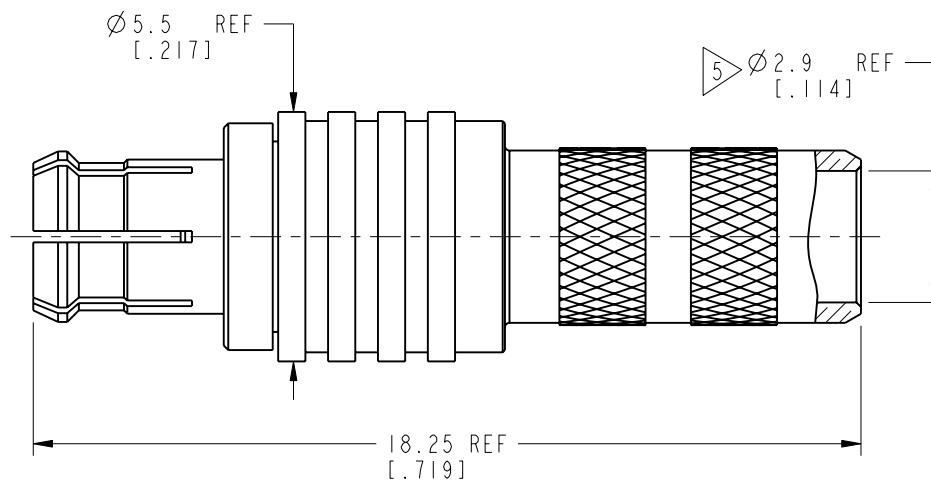
		REVISIONS		
REV	DESCRIPTION	DATE	ECN	APPR
A	RELEASE TO MFG.	09-Aug-19	12525	EH



SCALE 4.000



RECOMMENDED
CABLE STRIPPING DIMENSIONS



CUSTOMER OUTLINE DRAWING

ALL OTHER SHEETS ARE FOR INTERNAL USE ONLY

UNLESS OTHERWISE SPECIFIED, DIMENSIONS ARE IN METRIC AND TOLERANCES ARE: <0.5mm ±0.05mm 0.5 - 6mm ±0.1mm 6 - 30mm ±0.2mm 30 - 120mm ±0.3mm ANGLES ±1°	MATERIAL NOTE 1	DRAWN M. ZHANG DATE 09-Aug-19	TITLE 75 OHM MCX PLUG FOR BELDEN 4855R SCALE: 6.0:1.0 SHEET 2 OF 2	Amphenol RF www.amphenolrf.com
	REFERENCE EAR# 8605 REF: --- CONFIGURATION LEVEL: In Work FINISH	ENGINEER E. HILL DATE 13-May-19 APPROVED S. HSIEH DATE 14-Aug-19 CAD FILE		