

NOTES:

1. MATERIALS AND FINISHES:

- BODY - BERYLLIUM COPPER, WHITE BRONZE PLATING OVER SILVER
- REAR BODY - BRASS, WHITE BRONZE PLATING OVER SILVER
- CONTACT - BERYLLIUM COPPER, GOLD PLATING OVER HIGH PHOSPHORUS ELECTROLESS NICKEL
- INSULATORS - PTFE
- CAP - BRASS, WHITE BRONZE PLATING OVER SILVER

2. ELECTRICAL:

- A. IMPEDANCE: 50 OHM
- B. FREQUENCY RANGE: DC - 2.4 GHz
- C. VSWR(RETURN LOSS): 1.2 MAX.
- D. DIELECTRIC WITHSTANDING VOLTAGE: 1000 VRMS, MIN.

3. MECHANICAL:

- A. DURABILITY: 100 CYCLES MIN. WHEN MATED WITH FULL DETENT PLUG
100 CYCLES MIN. WHEN MATED WITH LIMITED DETENT PLUG
1000 CYCLES MIN. WHEN MATED WITH A SMOOTH BORE PLUG
- B. TEMPERATURE RANGE: -65°C TO 165°C

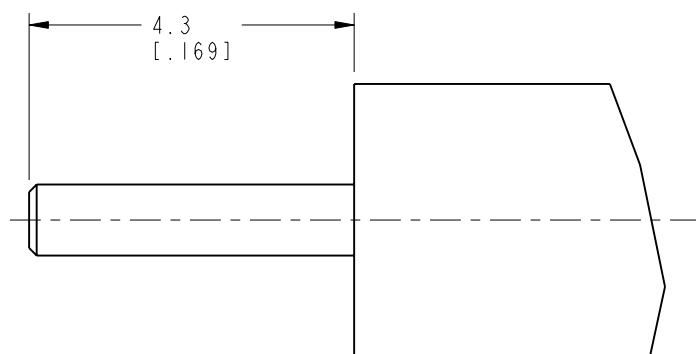
4. CABLE ENTRY DIMENSIONS

5. ASSEMBLY INSTRUCTIONS

- A. STRIP CABLE TO DIMENSIONS SHOWN
- B. FULLY INSERT CABLE INTO THE CONNECTOR.
- C. SOLDER CABLE CENTER CONDUCTOR TO CONTACT
- D. SOLDER CABLE TO CONNECTOR BODY
- E. PRESS CAP INTO POSITION AND DIMPLE SLIGHTLY.

6. PACKAGING:

- A. QUANTITY: SINGLE PACK
- B. MARKING: BAG TO BE MARKED
"AMPHENOL RF, 915-1006, AND DATE CODE"

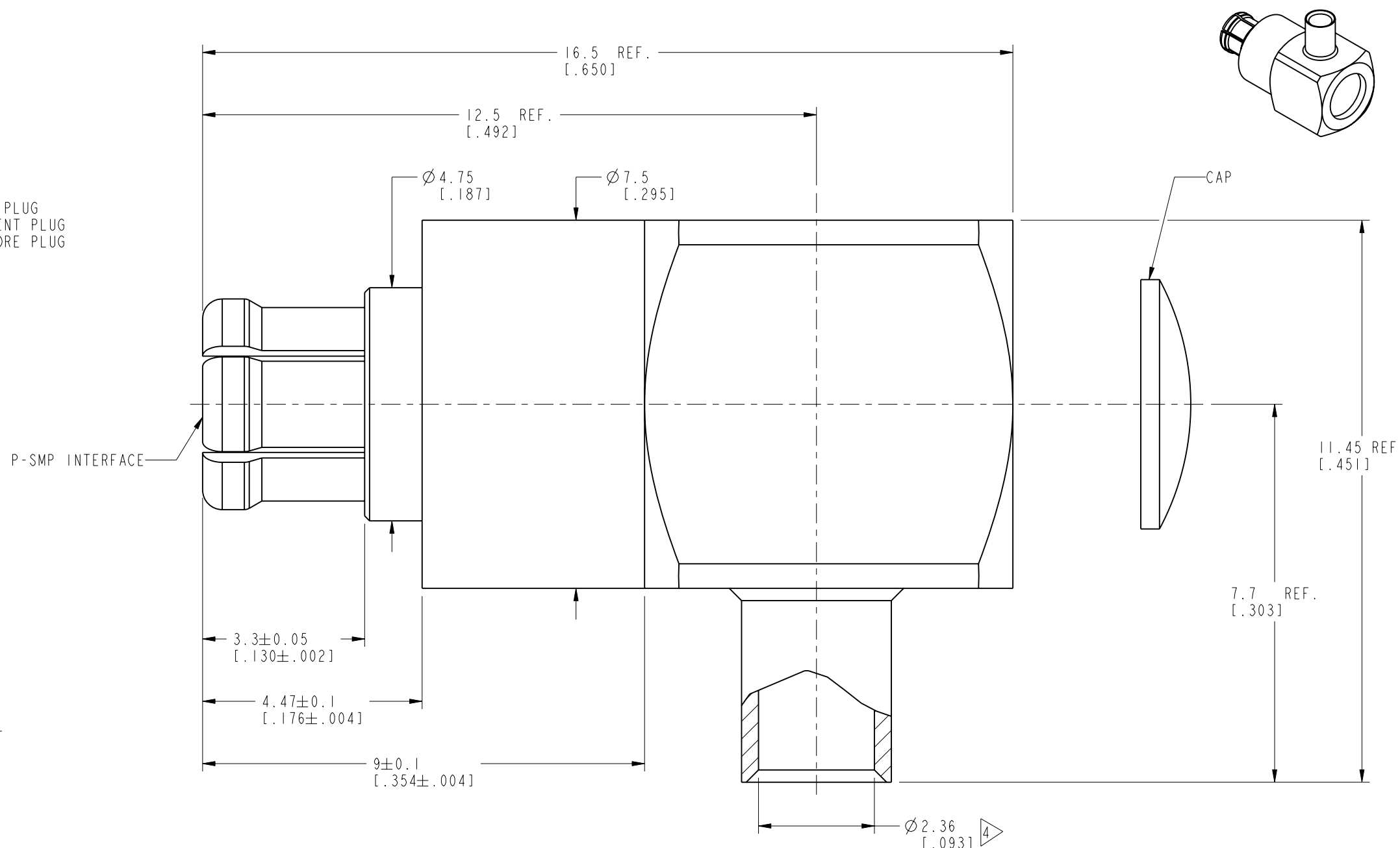


RECOMMENDED CABLE STRIPPING DIMENSIONS

THIRD ANGLE PROJ.

REVISIONS

REV	DESCRIPTION	DATE	ECO	APPR
A	RELEASE TO MFG.	23-Jun-16	01141	MZ
B	UPDATE TITLE BLOCK\N/A	15-Jul-16	01323	SH



CUSTOMER OUTLINE DRAWING

ALL OTHER SHEETS ARE FOR INTERNAL USE ONLY

UNLESS OTHERWISE SPECIFIED, DIMENSIONS ARE IN METRIC AND TOLERANCES ARE: <0.5mm ±0.05mm 0.5 - 6mm ±0.1mm 6 - 30mm ±0.2mm 30 - 120mm ±0.3mm ANGLES ±1°	MATERIAL	DRAWN M. ZHANG	DATE 15-Jul-16	TITLE P-SMP RA JACK (FOR .086" CABLE)	Amphenol RF www.amphenolrf.com
	REFERENCE EAR # 7104	ENGINEER K. ELMES	DATE 4/7/16		
NOTICE - These drawings, specifications, or other data (1) are, and remain the property of Amphenol corp. (2) must be returned upon request; and (3) are confidential and not to be disclosed to any person other than those to whom they are given by Amphenol Corp. the furnishing of these drawings, specifications, or other data by Amphenol Corp., or to any other person to anyone for any purpose is not to be regarded by implication or otherwise in any manner licensing, granting rights to permitting such holder or any other person to manufacture, use or sell any product, process or design, patented or otherwise, that may in any way be related to or disclosed by said drawings, specifications, or other data.	CONFIGURATION LEVEL: In Work	APPROVED S. HSIEH	DATE 15-Jul-16	SCALE: 10.0:1.0 SHEET 2 OF 2	ITEM NO. 915-1006
	FINISH	CAD FILE	DWG SIZE B	REV B	PART NO. 915-1006