

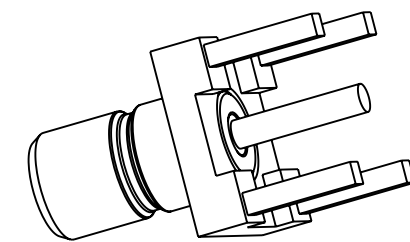
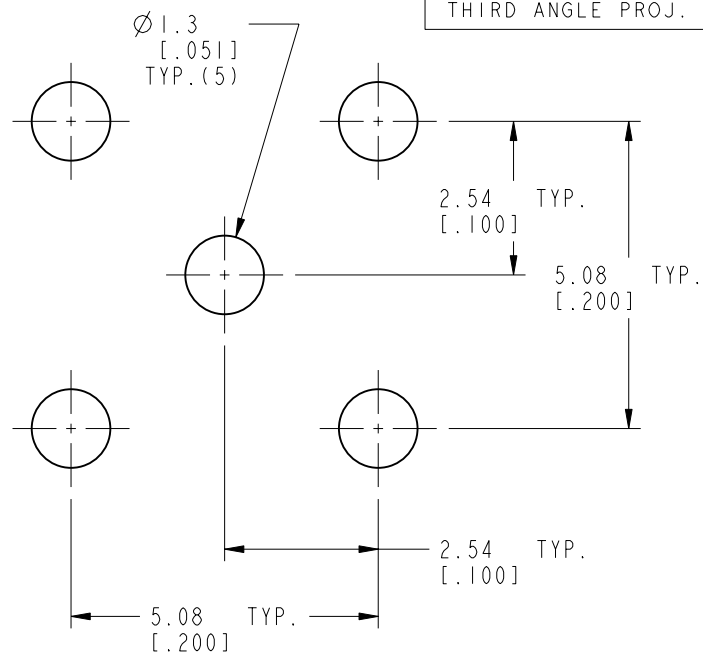
NOTES:

1. MATERIALS AND FINISHES:
 BODY - BERYLLIUM COPPER, GOLD PLATING
 CONTACT - BERYLLIUM COPPER, GOLD PLATING
 INSULATOR -PTFE, NATURAL
2. ELECTRICAL:
 A. IMPEDANCE: 50 OHM
 B. FREQUENCY RANGE: DC TO 4 GHz
 C. DIELECTRIC WITHSTANDING VOLTAGE: 1000 VRMS, MIN.
3. MECHANICAL:
 A. DURABILITY: 500 CYCLES MIN.
 B. TEMPERATURE RANGE: -65°C to +165°C
4. PACKAGING:
 A. PACKAGE CONNECTOR IN TRAY 100 PIECES PER.
 B. MARK TRAY OR TAG:
 "AMPHENOL RF 903-NM415J-51P 100 PIECES. DATE CODE"
 AND "NON-MAGNETIC CONNECTORS" IN LARGE LETTERS.

THIRD ANGLE PROJ.

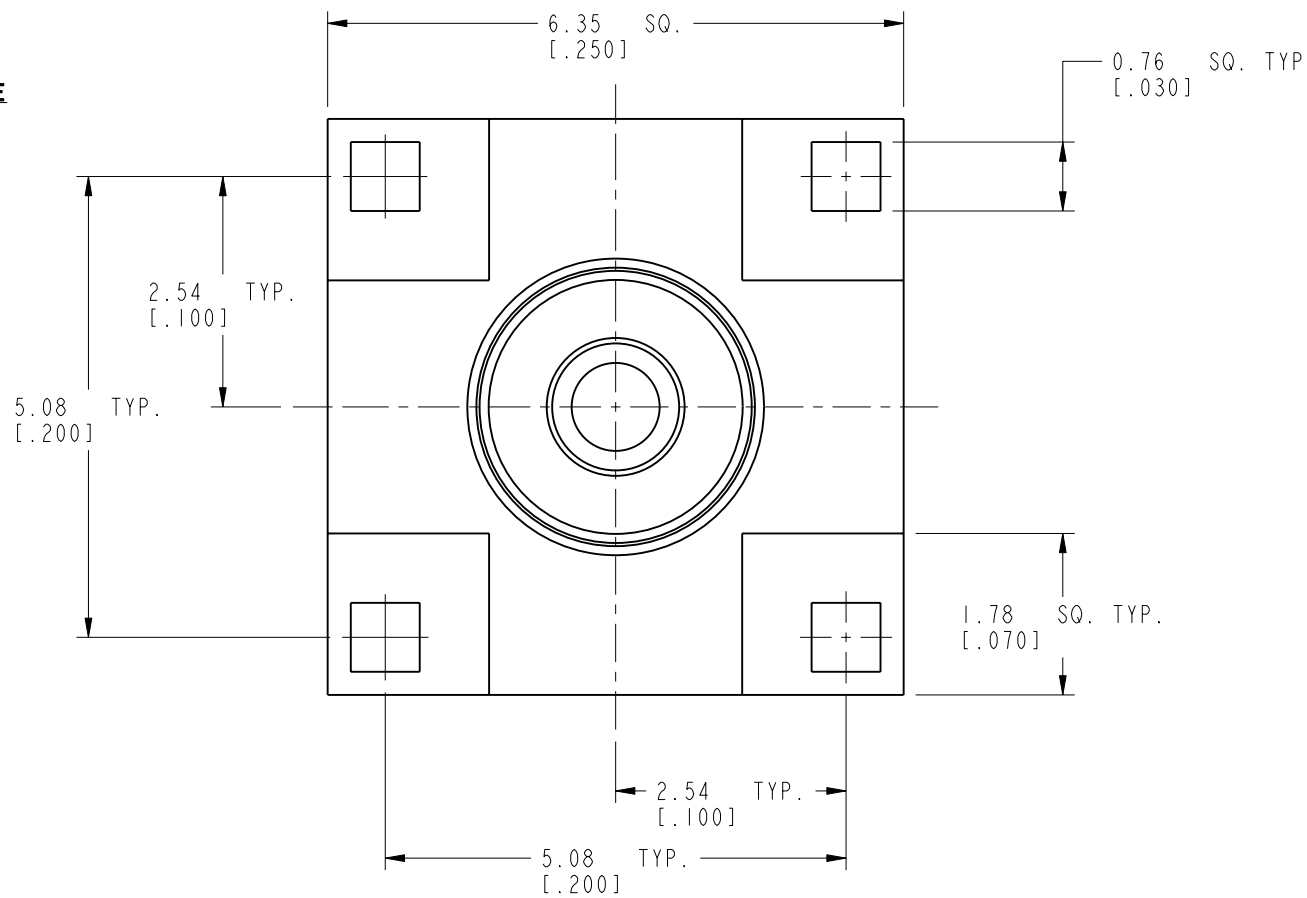
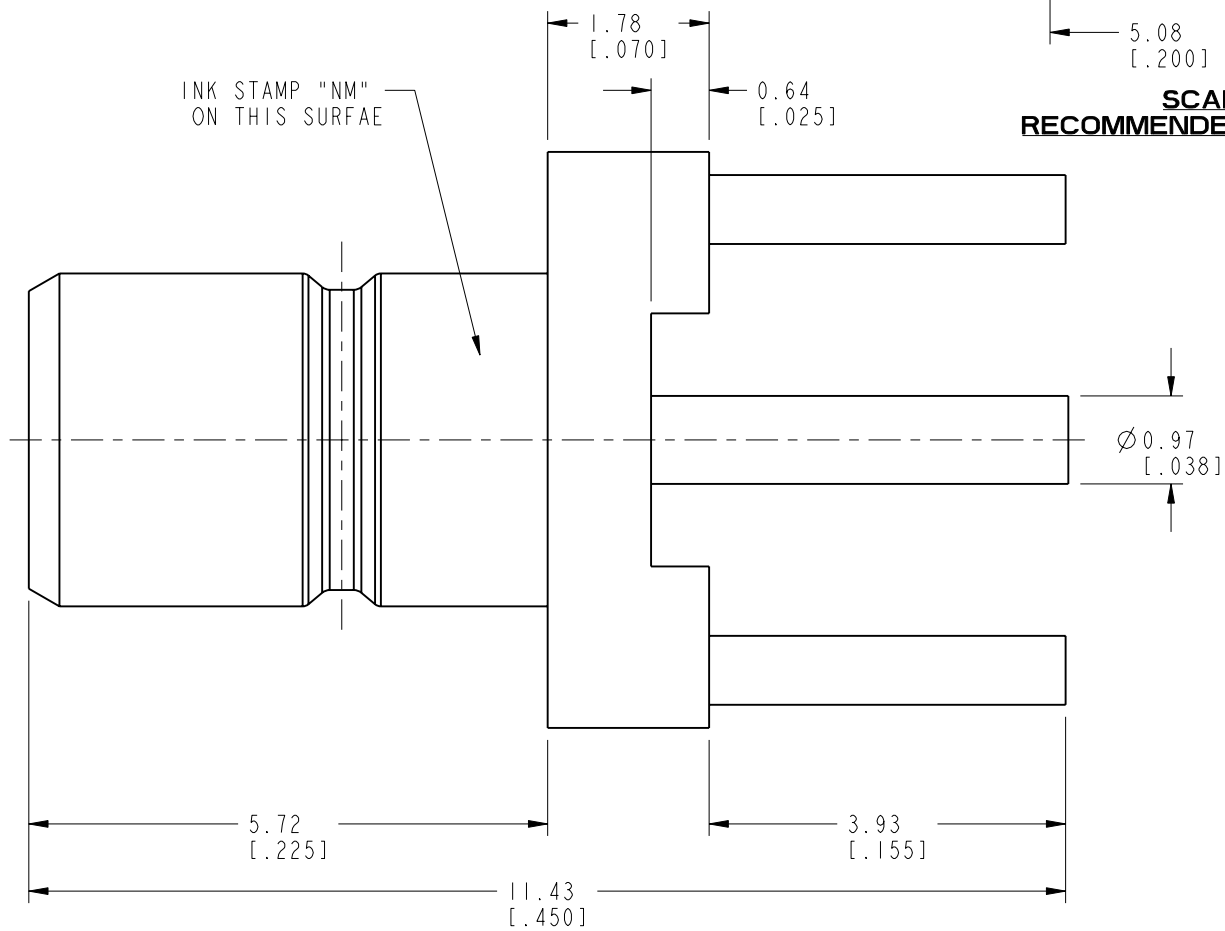
REVISIONS

REV	DESCRIPTION	DATE	ECN	APPR
A	RELEASE TO MFG.	08-Aug-06	46108	CW
B	TRANSFER TO ARFA	10-May-11	48586	TD
C	CHANGED THE PACKAGING WAY FROM IN BAG TO IN TRAY	01-Mar-19	10741	SH



SCALE 4.000

SCALE 8.000
 RECOMMENDED MOUNTING HOLE



NO MATERIAL OR PLATING SUBSTITUTIONS

CUSTOMER OUTLINE DRAWING
 ALL OTHER SHEETS ARE FOR INTERNAL USE ONLY

UNLESS OTHERWISE SPECIFIED, DIMENSIONS ARE IN METRIC AND TOLERANCES ARE: <0.5mm ±0.05mm 0.5 - 6mm ±0.1mm 6 - 30mm ±0.2mm 30 - 120mm ±0.3mm ANGLES ±1°	MATERIAL	DRAWN	DATE	TITLE SMB JACK PC MOUNT NON MAGNETIC	Amphenol RF www.amphenolrf.com
	SEE NOTES	M. ZHANG	01-Mar-19		
NOTICE - These drawings, specifications, or other data (1) are, and remain the property of Amphenol corp. (2) must be returned upon request; and (3) are confidential and not to be disclosed to any person other than those to whom they are given by Amphenol Corp. the furnishing of these drawings, specifications, or other data by Amphenol Corp., or to any other person to anyone for any purpose is not to be regarded by implication or otherwise in any manner licensing, granting rights to permitting such holder or any other person to manufacture, use or sell any product, process or design, patented or otherwise, that may in any way be related to or disclosed by said drawings, specifications, or other data.	REFERENCE	ENGINEER	DATE	SCALE: 12.0:1.0 SHEET 2 OF 2 DWG SIZE B REV C	DRAWING NO. 903-NM415J-51P
	EAR#	S. LI	10-May-11		ITEM NO. 903-NM415J-51P
	REF: 903-415J-51P	CONFIGURATION LEVEL: In Work	APPROVED	DATE	PART NO. 903-NM415J-51P
FINISH		S. HSIEH	01-Mar-19		
		CAD FILE			