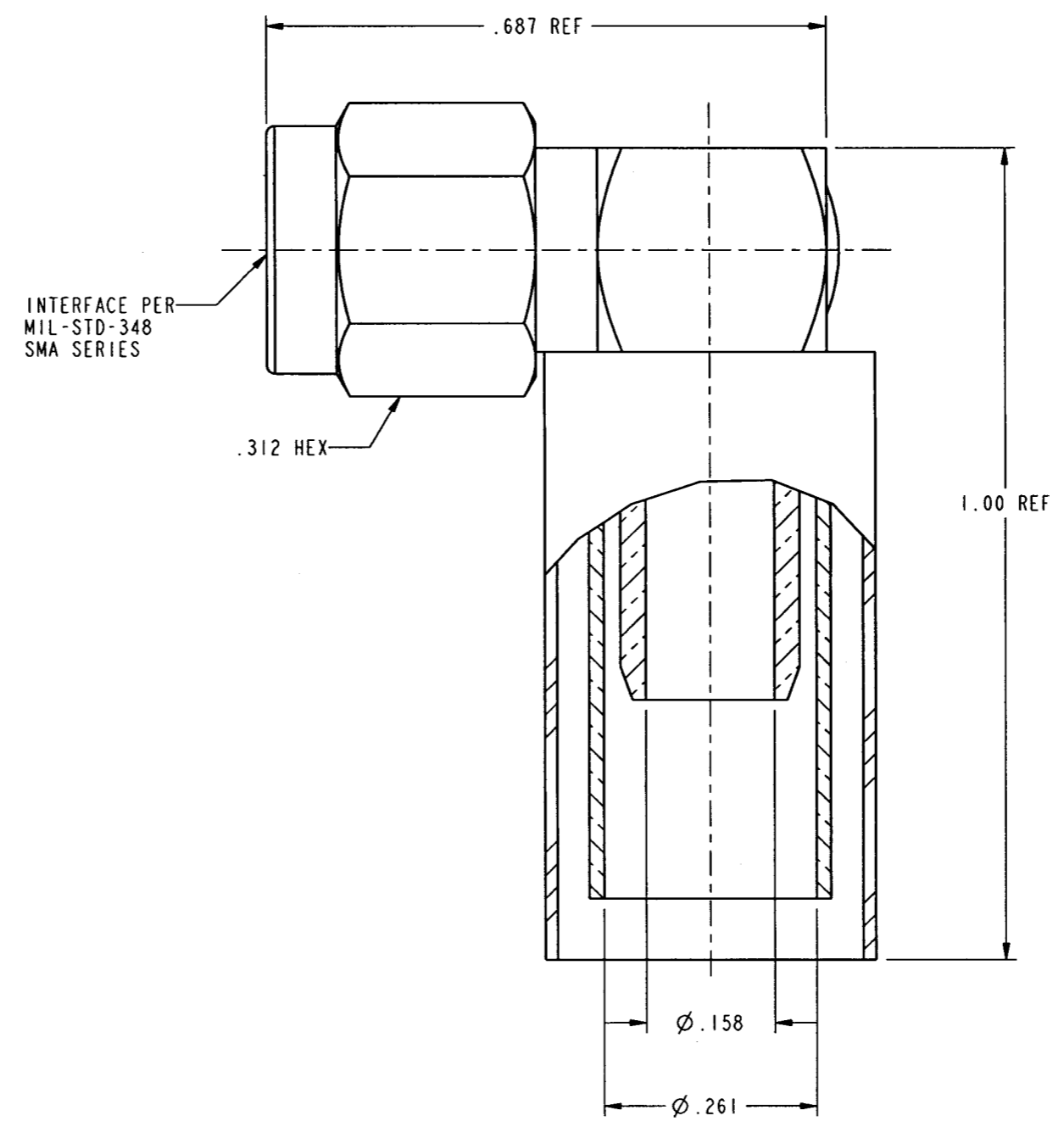
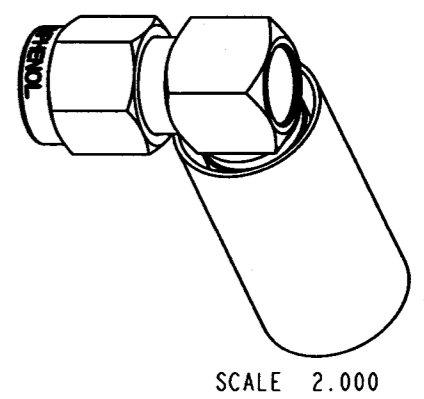


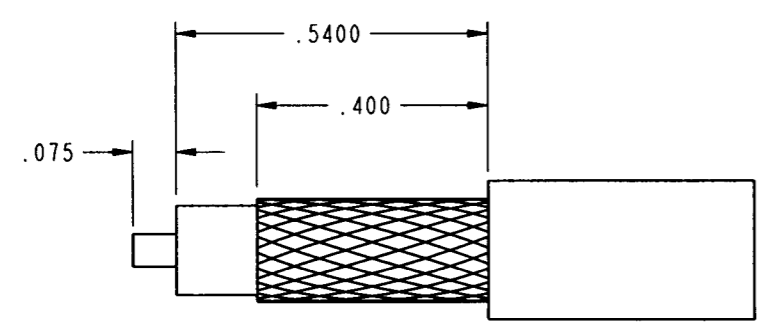
NOTES:

1. MATERIALS AND FINISHES:
 CONTACT: BERYLLIUM COPPER, GOLD PLATED
 FERRULE: ANNEALED COPPER, NICKEL PLATED
 INSULATOR: PTFE
 BODY & COUPLING NUT: STAINLESS STEEL, PASSIVATED
 GASKET: SILICONE BUBBER
2. MECHANICAL SPECIFICATIONS:
 MATING CYCLES: MINIMUM 500
 COUPLING TORQUE: 7 INCH-POUNDS MIN., 17 INCH-POUNDS MAX.
3. ELECTRICAL SPECIFICATIONS:
 IMPEDANCE: 50 OHMS
 VOLTAGE RATING: 500 VOLTS RMS PEAK
 VSWR: 1.15 +.02f (GHz), DC TO 12.4 GHz
 INSERTION LOSS: .15√f(GHz), DC TO 12.4 GHz
4. CRIMP USING TOOL 227-994, CRIMP DIE 227-1221-59
 CAVITY "A" (.255 HEX).

901-10014		REVISIONS			
DRAWING NO.	REV	DESCRIPTION	DATE	ECO	APPR
THIRD ANGLE PROJ.	A	OFFICIAL ENG. RELEASE TO MFG.	6/18/99	43007	PB/TA
	B	DEL NOTE 1; ADDED NOTES 2 & 3; NOTE 4 WAS NOTE 3	7/1/99	43041	CPM/



CUSTOMER OUTLINE DRAWING
FOR REFERENCE ONLY



CABLE STRIPPING DIMENSIONS

UNLESS OTHERWISE SPECIFIED, DIMENSIONS ARE IN INCHES AND TOLERANCES ARE: 2 PLACE DECIMAL ±.015 (0.381 mm) 3 PLACE DECIMAL ±.005 (0.127 mm) ANGLES ± 1°	MATERIAL	DRAWN P. BRENZEL	DATE 28 MAY 99	TITLE SMA ANGLE PLUG FOR TWB 2401, LMR 240 CABLES	Amphenol Amphenol Corporation Communication and Network Products Division Danbury, CT U.S.A. 06810	
	REFERENCE EAR 102-966987 2 615X-1500-100 GEN# ASSYM11_SMA	ENGINEER P. BRENZEL	DATE 28 MAY 99			
NOTICE - These drawings, specifications, or other data (1) are, and remain the property of Amphenol Corp. (2) must be returned upon request; and (3) are confidential and not to be disclosed to any person other than those to whom they are given by Amphenol Corp. The furnishing of these drawings, specifications, or other data by Amphenol Corp., or to any other person to anyone for any purpose is not to be regarded by implication or otherwise in any manner licensing, granting rights or permitting such holder or any other person to manufacture, use or sell any product, process or design, patented or otherwise, that may in any way be related to or disclosed by said drawings, specifications, or other data.		APPROVED T. AUBIN	DATE 2 JUN 99	SCALE: 5.0:1	SHEET 1 OF 1	
		CAD FILE I:\SMA\901-10014	CODE ID 74868	DWG SIZE B	DRAWING NO. 901-10014	REV B