

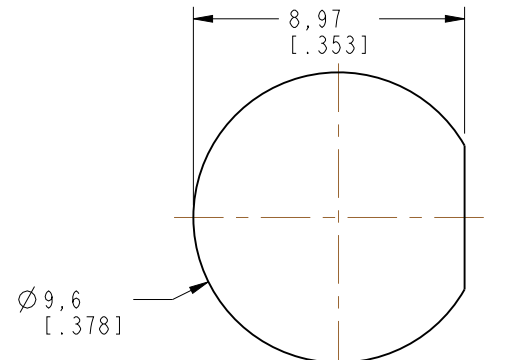
NOTES:

1. MATERIALS:
 CONTACT - BERYLLIUM COPPER, NICKEL PLATE
 INSULATOR - PTFE
 BODY - BRASS, BRIGHT ACID TIN PLATE
2. ELECTRICAL:
 A. IMPEDANCE: 75 OHM
 B. FREQUENCY RANGE: DC - 1 GHz
 C. VSWR(RETURN LOSS): 30 dB, MIN.
3. MECHANICAL:
 A. CENTER CONTACT TO ACCEPT \varnothing .56 [.022] TO \varnothing 1.07 [.042] PIN.
 B. TEMPERATURE RANGE: 40° C TO 85° C
4. PACKAGING:
 A. QUANTITY: SINGLE PACK
 B. MARKING: BAG TO BE MARKED
 "AMPHENOL, 531-40147, AND DATE CODE"

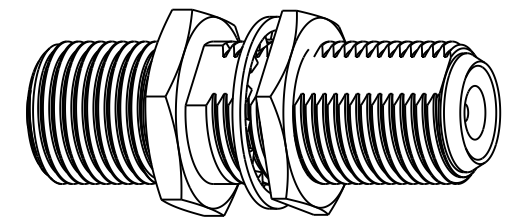
THIRD ANGLE PROJ.

REVISIONS

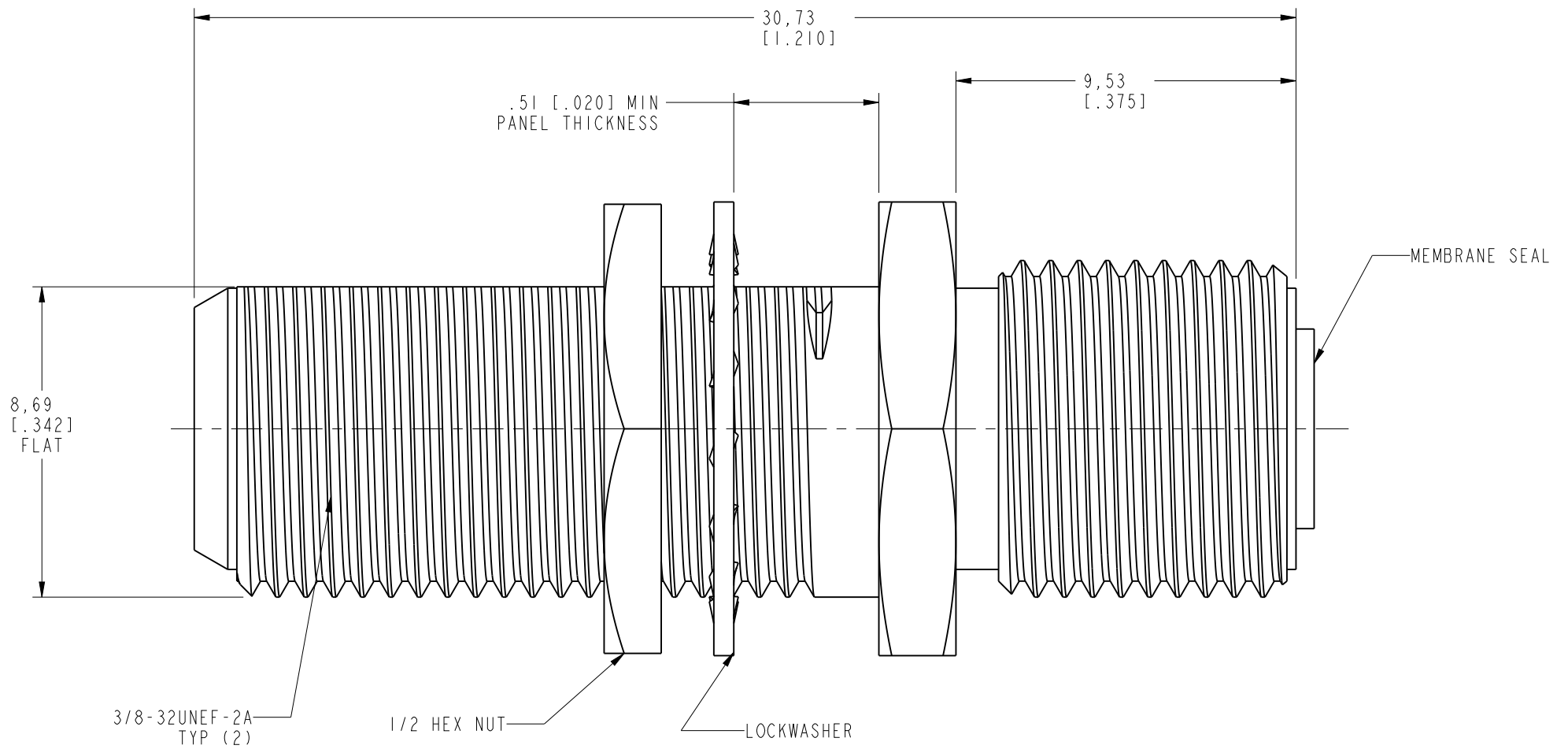
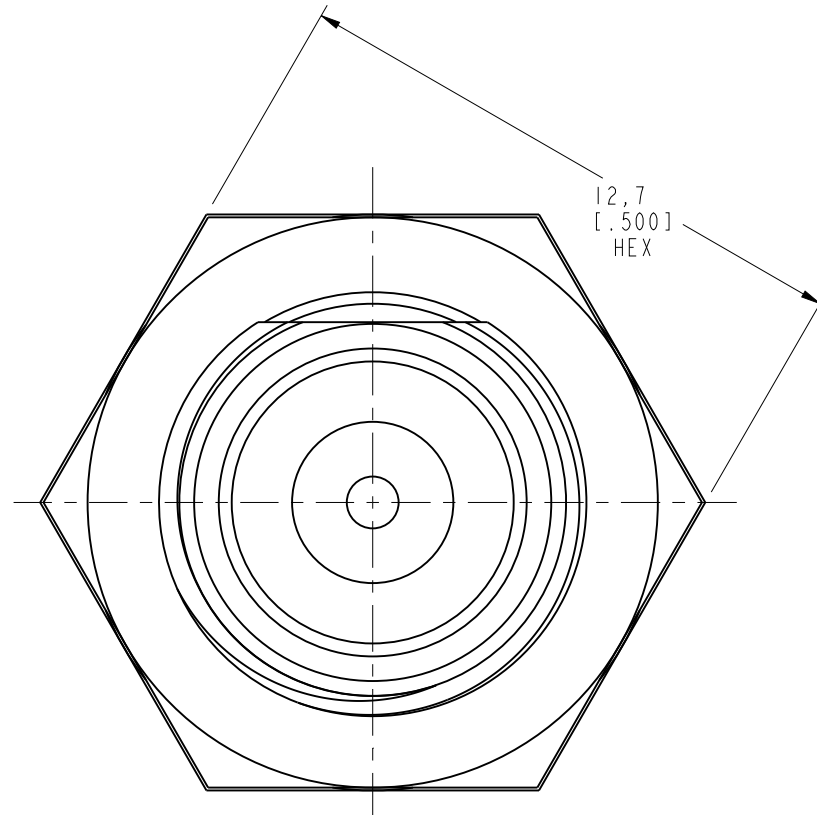
REV	DESCRIPTION	DATE	ECN	APPR
A	RELEASE TO MFG	24-Jan-03	44337	CPM
B	ADDED MOUNTING HOLE, CONTACT PLATING WAS TIN	27-Aug-18	08962	EH



RECOMMENDED MOUNTING HOLE
SCALE 4.000



SCALE 2.000



CUSTOMER OUTLINE DRAWING
ALL OTHER SHEETS ARE FOR INTERNAL USE ONLY

UNLESS OTHERWISE SPECIFIED, DIMENSIONS ARE IN METRIC AND TOLERANCES ARE:
 <0.5mm ±0.05mm 0.5 - 6mm ±0.1mm 6 - 30mm ±0.2mm 30 - 120mm ±0.3mm ANGLES ±1°

NOTICE - These drawings, specifications, or other data (1) are, and remain the property of Amphenol corp. (2) must be returned upon request; and (3) are confidential and not to be disclosed to any person other than those to whom they are given by Amphenol Corp. the furnishing of these drawings, specifications, or other data by Amphenol Corp., or to any other person to anyone for any purpose is not to be regarded by implication or otherwise in any manner licensing, granting rights to permitting such holder or any other person to manufacture, use or sell any product, process or design, patented or otherwise, that may in any way be related to or disclosed by said drawings, specifications, or other data.

MATERIAL	DRAWN K. CAPOZZI	DATE 26-Sep-02	TITLE F RECEPTACLE FEMALE - FEMALE	Amphenol RF www.amphenolrf.com
REFERENCE EAR# 771 REF: 531-40008	ENGINEER K. CAPOZZI	DATE 26-Sep-02	SCALE: 6.0:1.0 SHEET 2 OF 2	
CONFIGURATION LEVEL: In Work	APPROVED O. BARTHELMS	DATE 24-Jan-03	DWG SIZE B	DRAWING NO. 531-40147
FINISH	CAD FILE		REV B	ITEM NO. 531-40147
				PART NO. 531-40147