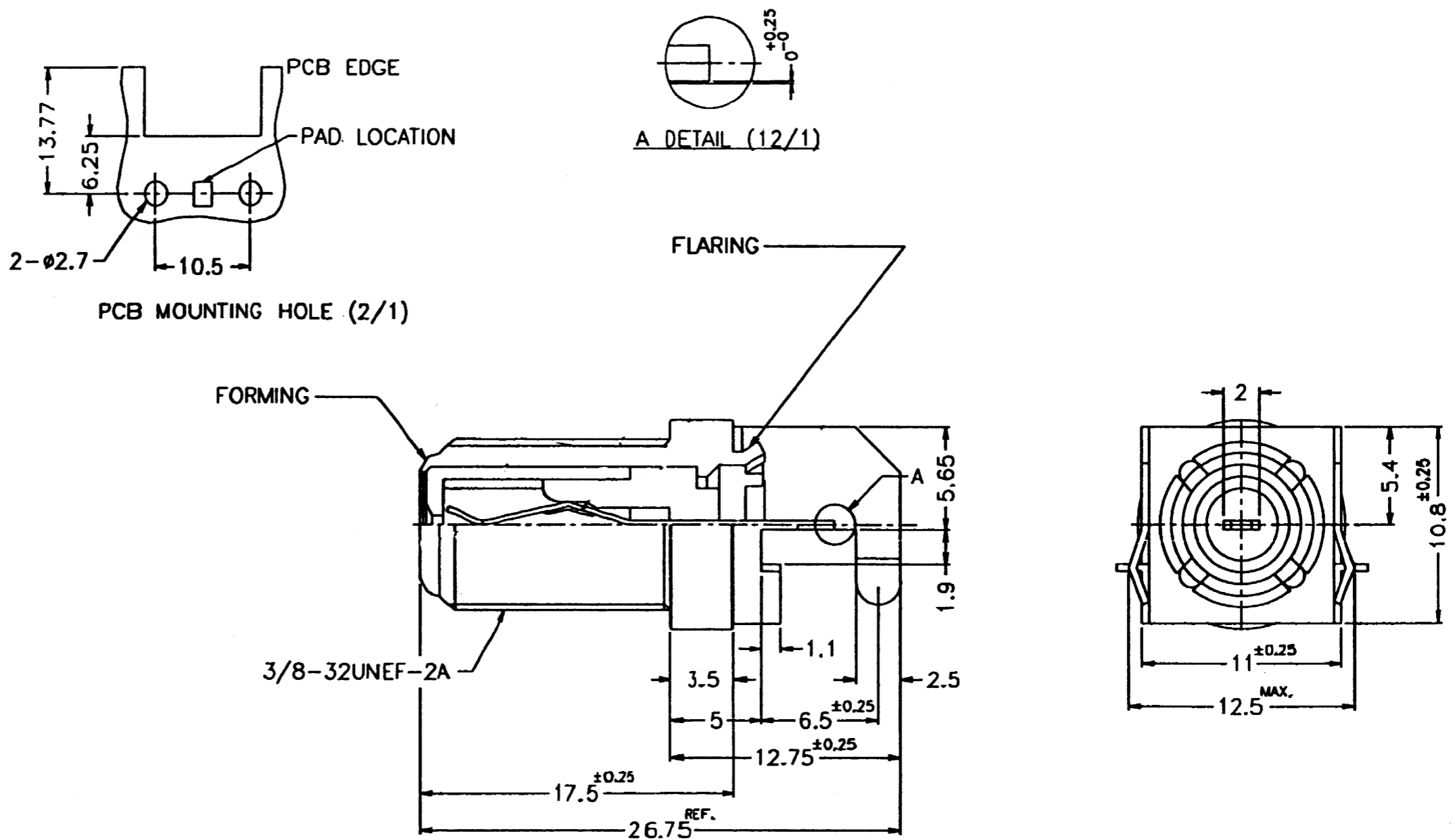


NOTES:

1. MATERIALS OF CONSTRUCTION:
 BODY = BRASS, NICKEL PLATED (.000200 MIN THICK)
 CONTACT PIN = PHOSPHOR BRONZE, BRIGHT TIN PLATE (.000250 MIN THICK)
 BRACKET = PHOSPHOR BRONZE, BRIGHT TIN PLATE (.000180 MIN THICK)
 INSULATORS (2) = POLYPROPYLENE, NATURAL
2. ELECTRICAL:
 A. NOMINAL IMPEDANCE: 75 OHM
 B. FREQUENCY RANGE: DC-2150 MHz
 C. RETURN LOSS: 10dB MINIMUM
 D. DIELECTRIC WITHSTANDING VOLTAGE: 1200 VRMS
 E. INSULATION RESISTANCE: 500 MEG OHMS
 F. CONTACT REISITANCE: 20 mOHMS MAXIMUM
3. MECHANICAL:
 A. DURABILITY: 100 CYCLES MINIMUM
 B. PIN RANGE: \varnothing .025 TO .040
 C. MATING TORQUE: 15 IN*LBS. MAXIMUM
 D. BODY TO BRACKET RETENTION: 60 LBS MINIMUM
 E. CONTINUOUS OPERATING TEMPERATURE: -40° TO +60°C.

531-40101		REVISIONS			
DRAWING NO.	REV	DESCRIPTION	DATE	ECO	APPR
THIRD ANGLE PROJ.	A	RELEASE TO MFG.	3-8-02	43836	CPM



CUSTOMER OUTLINE DRAWING
 ALL OTHER SHEETS ARE FOR INTERNAL USE ONLY

UNLESS OTHERWISE SPECIFIED, DIMENSIONS ARE IN INCHES AND TOLERANCES ARE: 0.5 - 6mm ±0.2mm 6 - 30mm ±0.4mm 30 - 120mm ±0.6mm	MATERIAL	DRAWN C. McGRATH	DATE 10-Aug-01	TITLE F RECEPTACLE PCB EDGE MOUNT	Amphenol Amphenol Corporation Communication and Network Products Division Danbury, CT U.S.A. 06810		
	REFERENCE EAR# 385 GEN# 531-40101_ASSY	ENGINEER O. BARTHELMES	DATE 10-Aug-01			SCALE: 1.0:1	SHEET 2 OF 2
NOTICE - These drawings, specifications, or other data (1) are, and remain the property of Amphenol Corp. (2) must be returned upon request; and (3) are confidential and not to be disclosed to any person other than those to whom they are given by Amphenol Corp. The furnishing of these drawings, specifications, or other data by Amphenol Corp., or to any other person to anyone for any purpose is not to be regarded by implication or otherwise in any manner licensing, granting rights or permitting such holder or any other person to manufacture, use or sell any product, process or design, patented or otherwise, that may in any way be related to or disclosed by said drawings, specifications, or other data.	APPROVED 	DATE 3/8/02	CAD FILE I:\FA\531-40101	CODE ID 74868	DWG SIZE B	DRAWING NO. 531-40101	REV A