

PROPRIETARY DATA OF IF Engineering Corp.
 THIS DOCUMENT CONTAINS PROPRIETARY INFORMATION.
 ANY REPRODUCTION, DISCLOSURE, OR USE OF
 ITS CONTENTS IS EXPRESSLY PROHIBITED EXCEPT AS
 AUTHORIZED BY IF Engineering Corp.

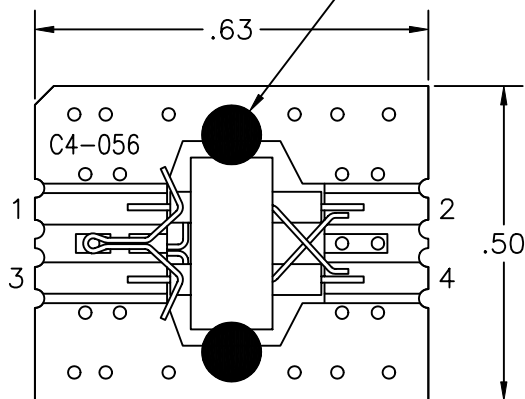
ELECTRICAL SPECIFICATION
 DIRECTIONAL COUPLER

FREQUENCY RANGE (MHZ)	137-550
COUPLING (dB) NOM.	22
COUPLING TOL. (dB) MAX.	±2.0
COUPLING VARIATION (dB) MAX.	±2.0
INSERTION LOSS (dB) MAX.	.22
DIRECTIVITY (dB) MIN.	20
VSWR MAX.	1.25:1
IMPEDANCE (OHMS) NOM.	50
TEMPERATURE RANGE (°C)	-40 TO +85
INPUT POWER (WCW)	25

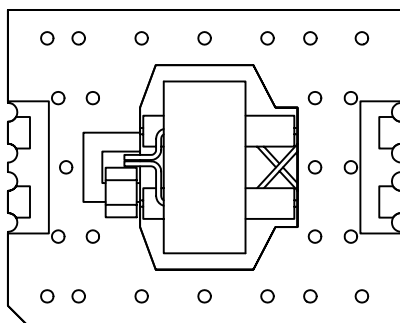
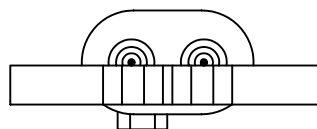
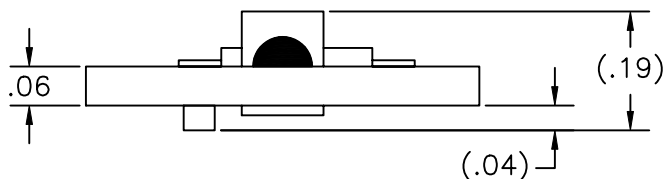
REVISION

LTR.	DESCRIPTION	DATE	APPVL.
-	ENG. RELEASED	12/26/12	MJD

EPOXY TRANSFORMER TO BOARD



TOP VIEW



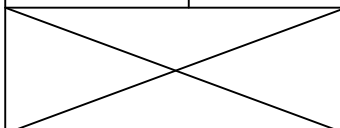
BOTTOM VIEW

**RoHS
 Compliant**

UNLESS OTHERWISE SPECIFIED
 DRAWING PRACTICES PER
 MIL-STD-100

TOLERANCES ANGLES ±1/2°
 .XX ±.01 .XXX ±.005

SURFACE 63/ REMOVE BURRS
 ROUGHNESS ✓ SHARP EDGES



DRAWN DATE
 MJD 10/9/12

ENGRG APPD DATE
 EJS 12/26/12

MFG APPD DATE
 EDW 12/26/12

QA APPD DATE

RELEASED DATE
 MJD 12/26/12

PORT	DESIG.
1	INPUT
2	OUTPUT
1-3	COUPLED
2-4	COUPLED

ALL EDGES GROUND

THERMAL RISE		
POWER	TEMP RISE	
	137MHz	500MHz
10W	12°C	7°C
25W	35°C	30°C
50W	62°C	58°C

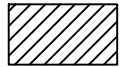
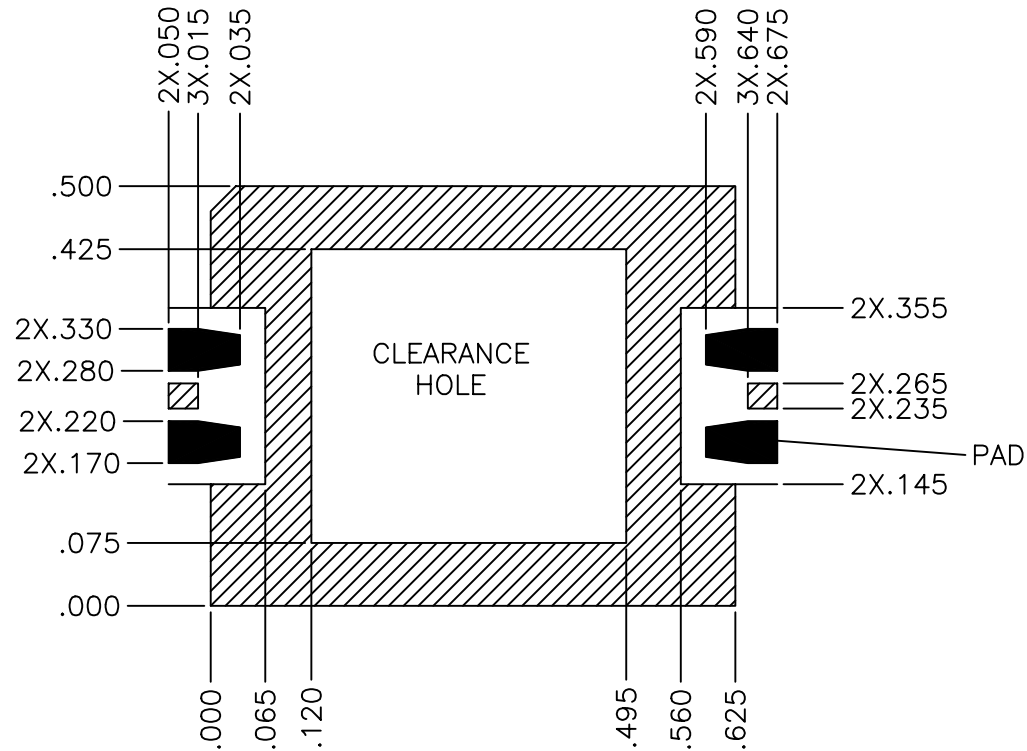
IFE ENGINEERING
 3 FOSHAY ROAD, DUDLEY MA 01571

TITLE
 OUTLINE DRAWING
 C4-056-HT COUPLER

SIZE	CODE IDENT NO.	DRAWING NO.	REV.
A	OUF A1	100-104-181	-
SCALE	3:1	SHEET 1 OF 1	

- NOTES:
 1. DC BLOCK ON BOTTOM SIDE.
 2. THIS PART MUST BE ABLE TO WITHSTAND
 220°C FOR 60 SECONDS (SMT SURFACE-
 MOUNT SOLDERING) WITH NO
 DEGRADATION IN PERFORMANCE OR
 PHYSICAL APPEARANCE.
 3. SPECIFICATION SUBJECT TO CHANGE
 WITHOUT NOTICE.

REVISION			
LTR.	DESCRIPTION	DATE	APPVL.
-	ENG. RELEASED	01/07/08	RJB



GROUND



PAD

UNLESS OTHERWISE SPECIFIED DRAWING PRACTICES PER MIL-STD-100		DRAWN DATE RJB 01/07/08		<p style="text-align: center;"><i>IFE ENGINEERING</i></p> <p style="text-align: center;">40 PARKER ROAD, FABYAN CT 06255</p> <p style="text-align: center;">TITLE</p> <p style="text-align: center;">PCB FOOTPRINT</p> <p style="text-align: center;">C4-056</p>					
TOLERANCES ANGLES $\pm 1/2^\circ$.XX $\pm .01$.XXX $\pm .005$		ENGRG APPD DATE							
SURFACE 63/ ROUGHNESS <input checked="" type="checkbox"/>		REMOVE BURRS SHARP EDGES		MFG APPD DATE		DRAWING NO.		REV.	
MATERIAL: SEE NOTE 1		QA APPD DATE		SIZE		CODE IDENT NO.		DRAWING NO.	
FINISH: SEE NOTE 2		RELEASED DATE		A		OUFA1		100-056-262	
				SCALE N/A		SHEET 1 OF 1			