

NOTES:

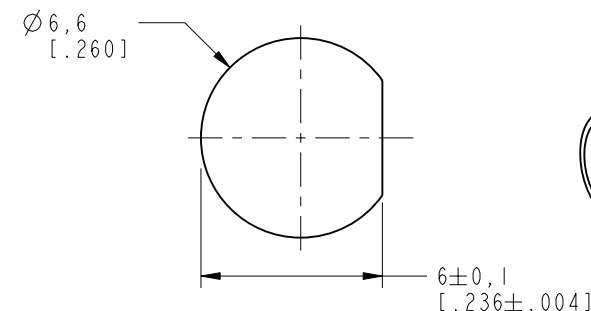
1. MATERIALS AND FINISHES:
 BODIES, LOCK WASHER &
 NUT - BRASS, NICKEL PLATING
 CONTACT - BeCu, GOLD PLATING
 INSULATORS - PTFE, NATURAL
2. ELECTRICAL:
 A. IMPEDANCE: 75 OHM
 B. FREQUENCY RANGE: DC-18 GHz
 C. RETURN LOSS: -20 dB MAX @ DC-6 GHz
 -15 dB MAX @ 6-12 GHz

3. MECHANICAL:
 A. DURABILITY: 500 CYCLES MIN.
 B. TEMPERATURE RANGE: -65°C TO +165°C
 C. RECOMMENDED TORQUE: 10 IN-LBS

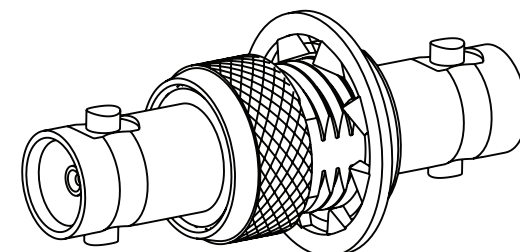
4. PACKAGING:
 A. QUANTITY: SINGLE PACK
 B. MARKING: BAG TO BE MARKED
 "AMPHENOL RF, 34-1109-12G, DATE CODE
 U.S. PATENT NO. 7,553,177"

THIRD ANGLE PROJ.

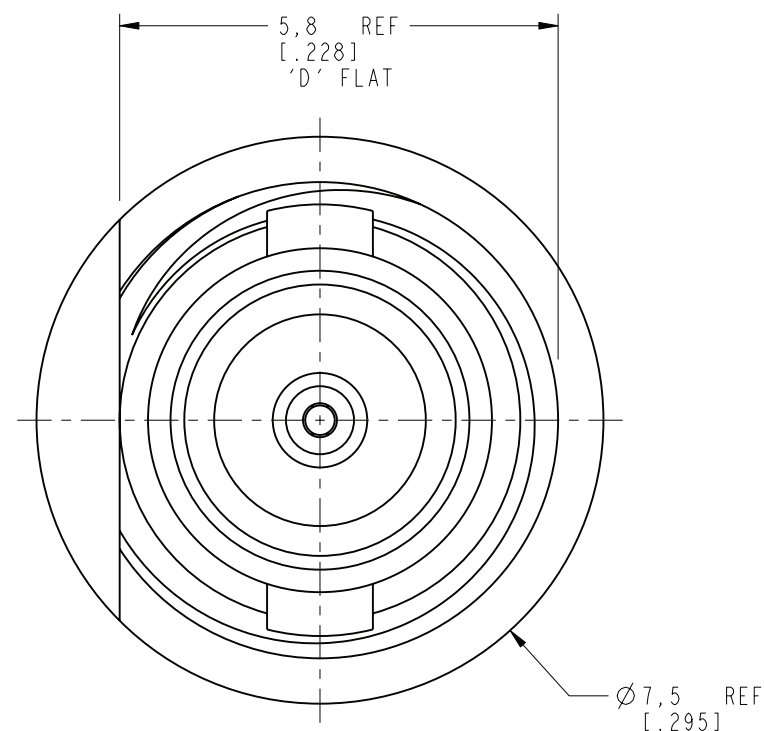
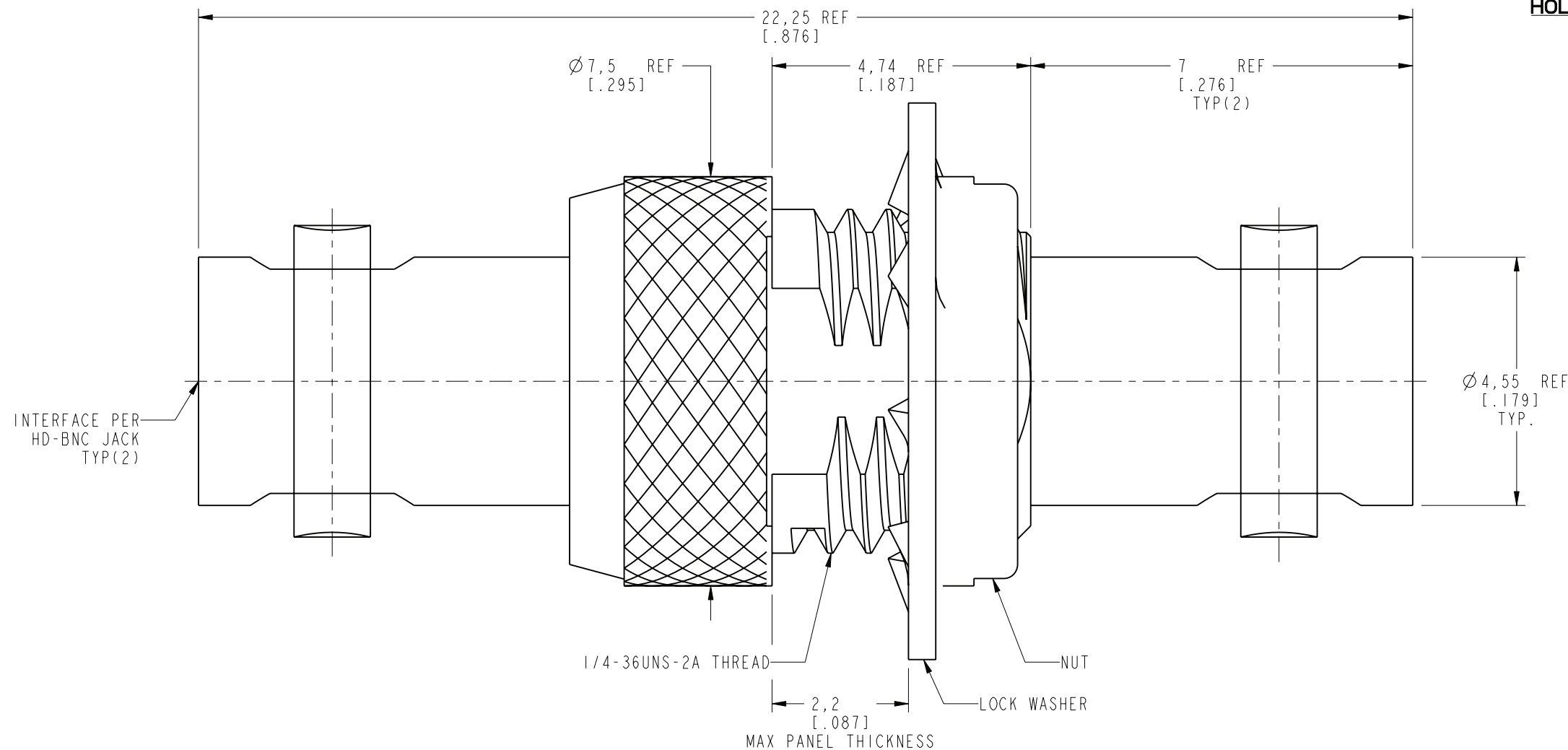
REV		DESCRIPTION	DATE	ECN	APPR
A		RELEASE TO MFG.	16-Aug-18	08866	BMG



RECOMMENDED MOUNTING HOLE DIMENSIONS



SCALE 3.200



NUT & LOCK WASHER NOT SHOWN

PROTECTED UNDER U.S. PATENT # 7,553,177

CUSTOMER OUTLINE DRAWING
 ALL OTHER SHEETS ARE FOR INTERNAL USE ONLY

UNLESS OTHERWISE SPECIFIED, DIMENSIONS ARE IN METRIC AND TOLERANCES ARE:
 <0.5mm ±0.05mm 0.5 - 6mm ±0.1mm 6 - 30mm ±0.2mm 30 - 120mm ±0.3mm ANGLES ±1°

NOTICE - These drawings, specifications, or other data (1) are, and remain the property of Amphenol corp. (2) must be returned upon request; and (3) are confidential and not to be disclosed to any person other than those to whom they are given by Amphenol Corp. the furnishing of these drawings, specifications, or other data by Amphenol Corp., or to any other person to anyone for any purpose is not to be regarded by implication or otherwise in any manner licensing, granting rights to permitting such holder or any other person to manufacture, use or sell any product, process or design, patented or otherwise, that may in any way be related to or disclosed by said drawings, specifications, or other data.

MATERIAL	SEE NOTES
REFERENCE	EAR# 7824
REF:	
CONFIGURATION LEVEL:	In Work
FINISH	

DRAWN	M. ZHANG	DATE	16-Aug-18
ENGINEER	ANANDH G	DATE	14-Sep-17
APPROVED	S. HSIEH	DATE	17-Aug-18
CAD FILE			

TITLE		HD-BNC STR BHD JACK TO JACK ADAPTER	
SCALE:	10.0:1.0	SHEET 2 OF 2	
DWG SIZE	B	REV	A

Amphenol RF	
www.amphenolrf.com	
DRAWING NO.	34-1109-12G
ITEM NO.	34-1109-12G
PART NO.	34-1109-12G