

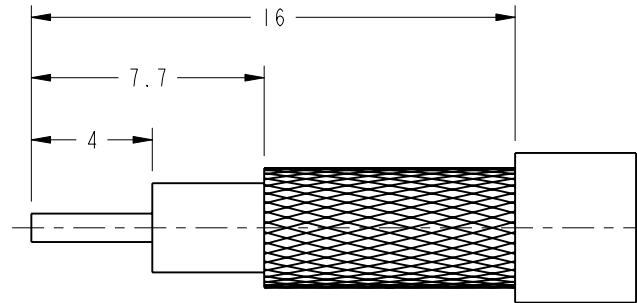
NOTES:

1. MATERIAL AND FINISH (PLATING THICKNESS IN MICRO-INCHES):
 BODY - BRASS, NICKEL PLATING
 CONTACT - BRASS, GOLD PLATING
 INSULATOR - DERIN
2. ELECTRICAL:
 A. IMPEDANCE: 50 OHM
 B. DIELECTRIC WITHSTANDING VOLTAGE: 1500 VRMS. MIN.
3. MECHANICAL:
 A. DURABILITY: 500 CYCLES MIN.
 B. TEMPERATURE RANGE: -40°C TO +85°C
4. CRIMPED FERRULE
 HEX CRIMP SIZE .213"
 CRIMPED CONTACT PIN
 HEX CRIMP SIZE .068"

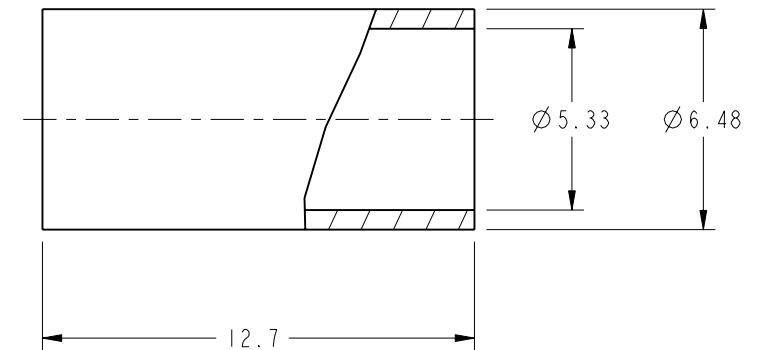
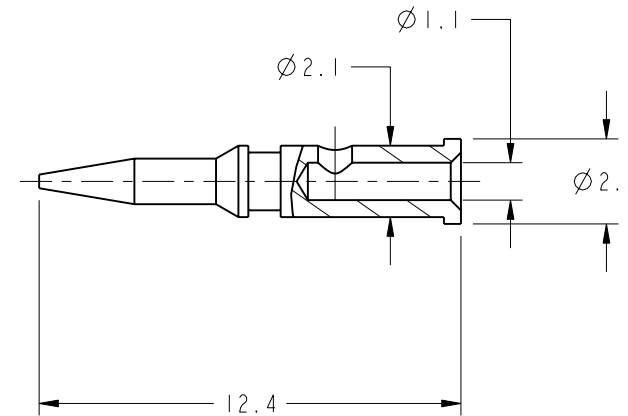
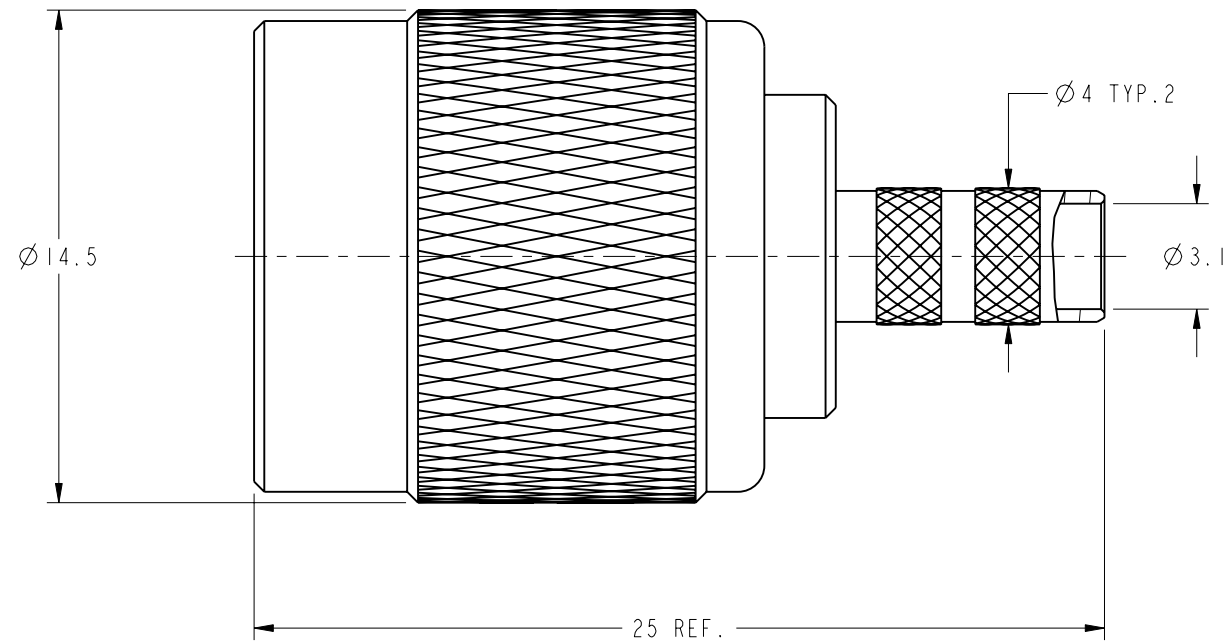
THIRD ANGLE PROJ.

REVISIONS

REV	DESCRIPTION	DATE	ECO	APPR
A	RELEASE TO MFG			
B	SEE SHEET 1	09-23-96'		TONY
E	REDRAWN TO UPDATE FORMAT, ADDED NOTES 4, 5 IRD-DM09071601K	10-Aug-09	47665	SH
F	REMOVE THE UNSUITABLE CABLE GROUP RG-223 IN TITLE BLOCK	24-Mar-18	07423	KS



RECOMMEDED
CABLE SSTRIPPING DIM'S



CUSTOMER OUTLINE DRAWING

ALL OTHER SHEETS ARE FOR INTERNAL USE ONLY

UNLESS OTHERWISE SPECIFIED, DIMENSIONS ARE IN METRIC AND TOLERANCES ARE:
 <0.5mm ±0.05mm 0.5 - 6mm ±0.1mm 6 - 30mm ±0.2mm 30 - 120mm ±0.3mm ANGLES ±1°

NOTICE - These drawings, specifications, or other data (1) are, and remain the property of Amphenol corp. (2) must be returned upon request; and (3) are confidential and not to be disclosed to any person other than those to whom they are given by Amphenol Corp. the furnishing of these drawings, specifications, or other data by Amphenol Corp., or to any other person to anyone for any purpose is not to be regarded by implication or otherwise in any manner licensing, granting rights to permitting such holder or any other person to manufacture, use or sell any product, process or design, patented or otherwise, that may in any way be related to or disclosed by said drawings, specifications, or other data.

MATERIAL	DRAWN K. SONG	DATE 17-Mar-18	TITLE TNC CRIMP PLUG FOR RG-55/U, 142A/U, 400/U	Amphenol RF www.amphenolrf.com	
	ENGINEER KERRY	DATE 06-13-00'			
REFERENCE AND CONFIGURATION LEVEL:	APPROVED S. HSIEH	DATE 28-Mar-18	SCALE: 1.0:1.0	DRAWING NO. T1121A1-ND3G-142AU-50	
	FINISH	CAD FILE	DWG SIZE B	REV F	ITEM NO. 021121AAA02ND5F
				PART NO. 31-2367-RFX	