



FocusLCDs.com  
LCDs MADE SIMPLE®

Ph. 480-503-4295 | [NOPP@FocusLCD.com](mailto:NOPP@FocusLCD.com)

TFT | CHARACTER | UWVD | FSC | SEGMENT | CUSTOM | REPLACEMENT

## Character Display Module

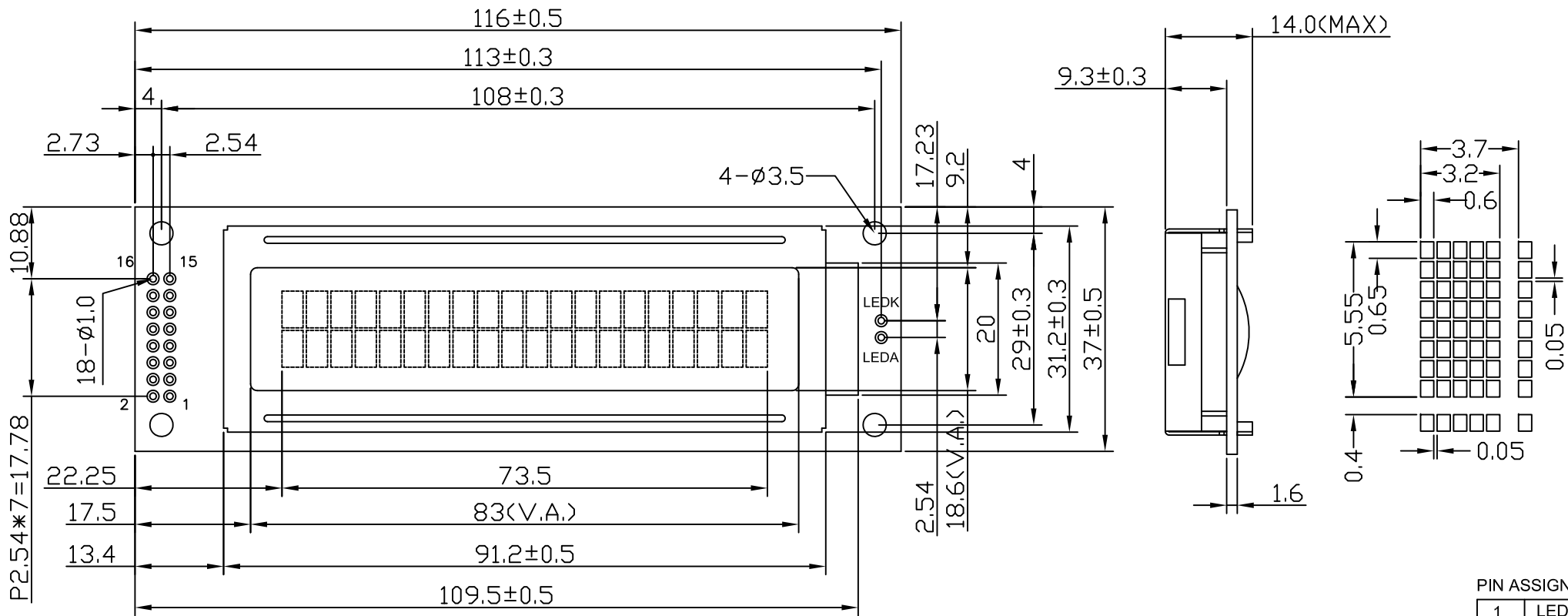
### Part Number

C202B-UR-LW65

### Overview

Character LCD: 20x2 (16x37), UWVD, Transmissive, Red LED Backlight, Wide Temp (-20°- 70° operating/-30°- 80° storage), Bottom View, 5V LED, 5V LCD, RoHS Compliant. Controller: RW1063

REV	DESCRIPTION:	DATE
1.0	First	2020-01-26




PIN ASSIGNMENT

1	LEDA
2	LEDK
3	VSS
4	VDD
5	V0
6	RS
8	R/W
9	E
9~16	DB0~DB7

Notes:

- 1). Driver Method: 1/16duty, 1/5bias, VDD5.0V VLCD5.3V
- 2). Display Type: UWVD/Negative/Transmissive/6:00 Visual Angle
- 3). Operating Temp: -20°C~70°C/Storage Temp: -30°C~80°C
- 4). Backlight Type: Edge/Red/Vled5.0V/15mA
- 5). Driver: RW1063/4bit or 8bit MPU
- 6). RoHS Compliant

Model Name: C202B-UR-LW65		 <b>FOCUS LCDs</b> LCDs MADE SIMPLE®	
GENERAL TOL: ± 0.3			
APPROVALS	DATE	DRAWN NO.	SCALE:
DWN:			
CHK:		SIZE: A4	UNIT: mm
APP:			Page: