



FocusLCDs.com  
LCDs MADE SIMPLE®

Ph. 480-503-4295 | [NOPP@FocusLCD.com](mailto:NOPP@FocusLCD.com)

TFT | CHARACTER | UWVD | FSC | SEGMENT | CUSTOM | REPLACEMENT

## Character Display Module

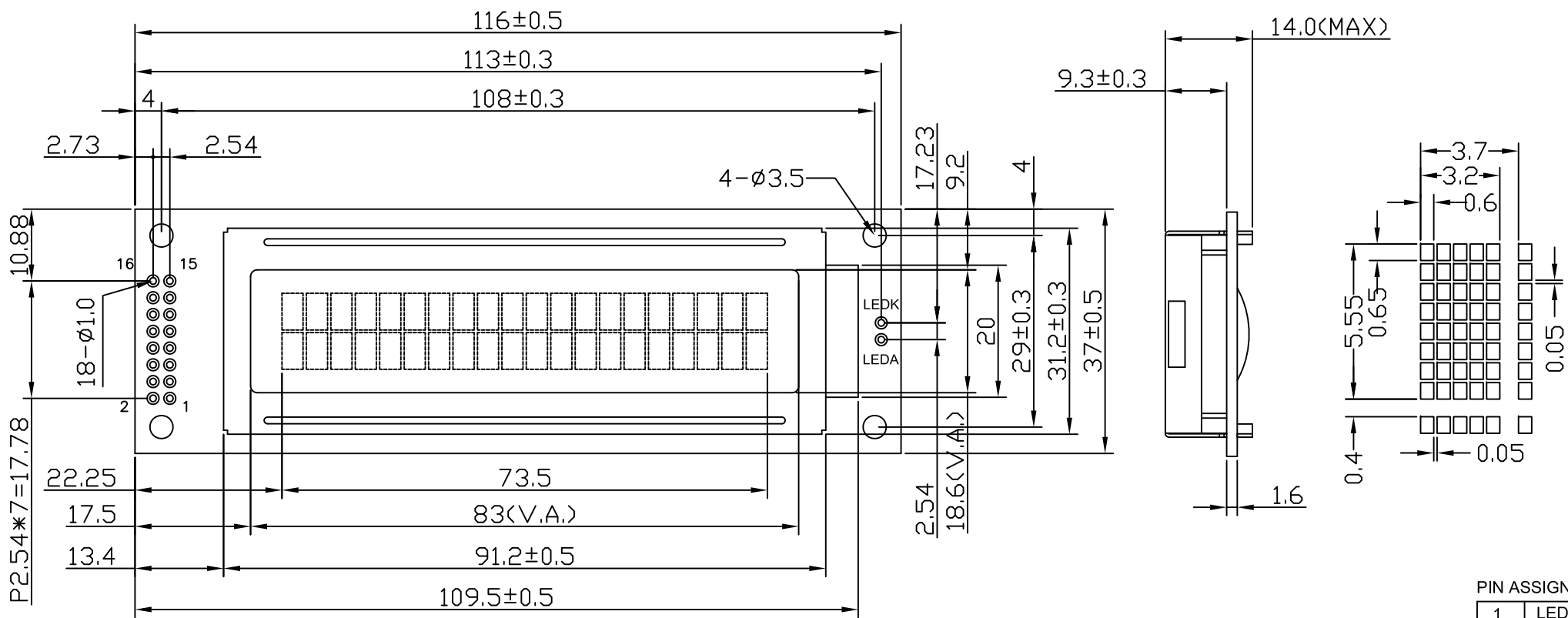
### Part Number

C202B-FTW-LW65

### Overview

Character LCD: 20x2 (116x37), FSTN, Transflective, White LED Backlight, Wide Temp (-20°- 70° operating/-30°- 80° storage), Bottom View, 5V LED, 5V LCD, Controller: RW1063. RoHS Compliant.

REV	DESCRIPTION:	DATE
1.0	First	2020-01-26




PIN ASSIGNMENT

1	LEDA
2	LEDK
3	VSS
4	VDD
5	V0
6	RS
8	R/W
9	E
9~16	DB0~DB7

Notes:

- 1). Driver Method: 1/16duty, 1/5bias, VDD5.0V VLCD4.5V
- 2). Display Type: FSTN/Positive/Transflective /6:00 Visual Angle
- 3). Operating Temp:  $-20^{\circ}\text{C}$ ~ $70^{\circ}\text{C}$ /Storage Temp:  $-30^{\circ}\text{C}$ ~ $80^{\circ}\text{C}$
- 4). Backlight Type: Edge/White/Vled5.0V/15mA
- 5). Driver: RW1063/4bit or 8bit MPU
- 6). RoHS Compliant

Model Name: C202B-FTW-LW65		 <b>FOCUS LCDs</b> LCDs MADE SIMPLE®	
GENERAL TOL: $\pm 0.3$			
APPROVALS	DATE	DRAWN NO.	SCALE:
DWN:			
CHK:		SIZE: A4	UNIT: mm
APP:			Page: