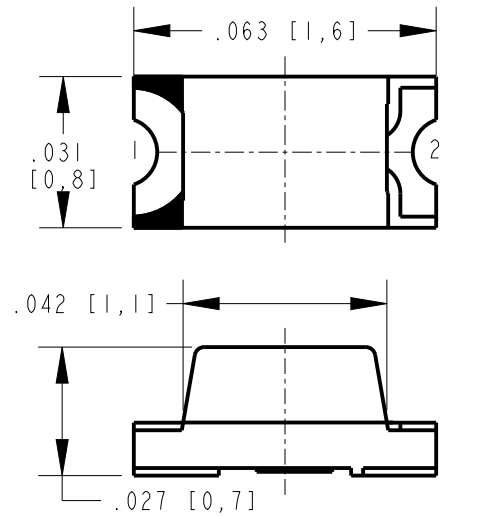


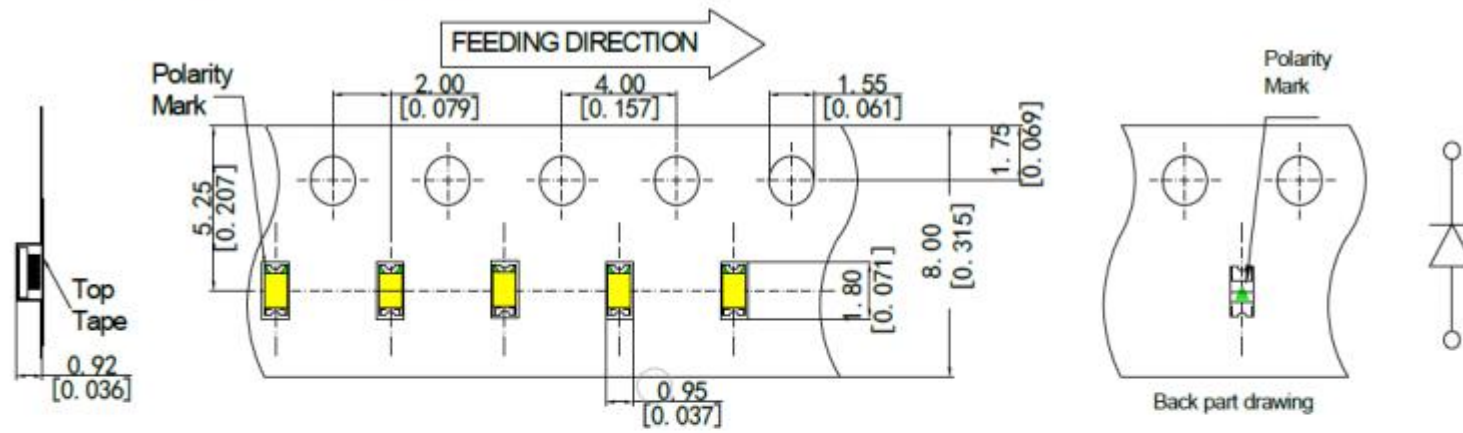
DIALIGHT PART NO.	LED COLOR
598-2002-107F	WHITE
598-2002-102F	(X=0.21, Y=0.16)

REV	ECN NO	REVISIONS	DRN	CKD	APP	DATE
A	106343	NEW RELEASE	JSG	CS	NO	02JUN23

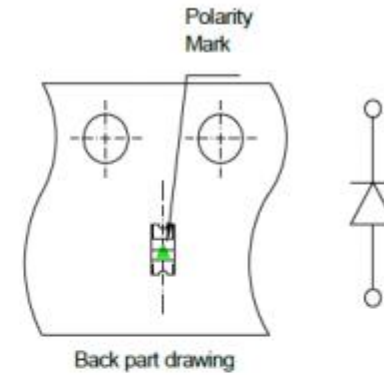
- NOTES:
- PIN NUMBERS ARE FOR REFERENCE ONLY, DESIGNATION NON-EXISTENT ON PART.
  - LABELING FOR REEL AND OUTSIDE OF ALUMINUM BAG, DIALIGHT P/N, QUANTITY PER REEL, DATE CODE, INTENSITY BIN CODE, LOT NUMBER AND COUNTRY OF ORIGIN.
  - THIS PRODUCT IS RoHS COMPLIANT. EACH BAG IS TO BE MARKED WITH RoHS COMPLIANT LABEL OR EQUIVALENT MARKINGS. LED MUST BE Pb FREE.
  - MOISTURE SENSITIVITY LEVEL 3.
  - QUANTITY : PART NUMBERS END WITH 107F REFER AS 4000 PCS/ REEL  
PART NUMBERS END WITH 102F REFER AS 20 PCS/ STRIP



**Carrier Tape Dimension**

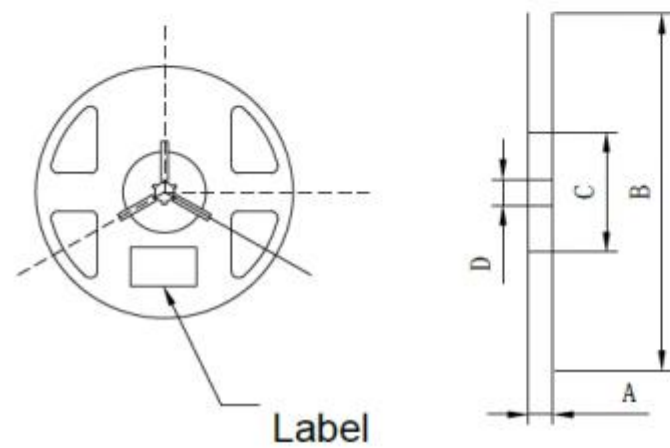


**TAPING SPECIFICATIONS**



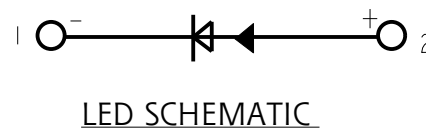
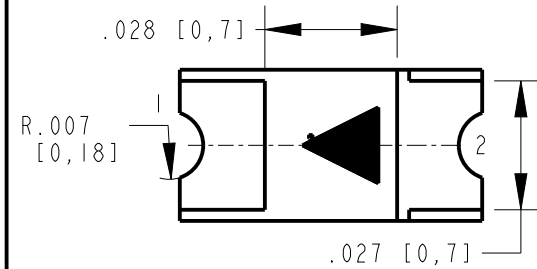
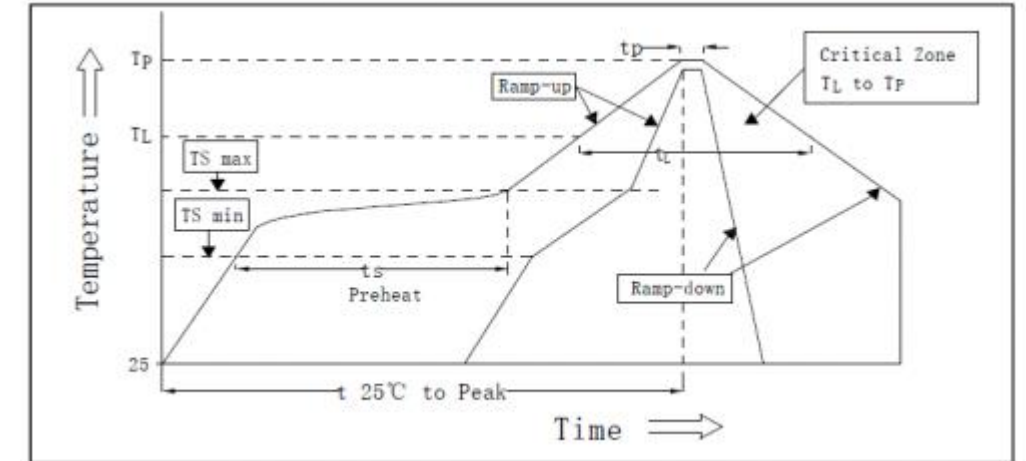
TOLERANCE (UNLESS OTHERWISE SPECIFIED): ±0.003(±0.1mm)

**Reel Dimension**



A	8.0±0.1mm
B	178±1mm
C	60±1mm
D	13.0±0.5mm

**RECOMMENDED RoHS SOLDER PROFILE**



MARK	DEFINITION	CONDITION
T <sub>S max</sub>	MAXIMUM OF PRE-HEATING TEMPERATURE	200°C
T <sub>S min</sub>	MINIMUM OF PRE-HEATING TEMPERATURE	150°C
T <sub>s</sub>	TIME FORM T <sub>Smin</sub> To T <sub>Smax</sub>	60s-120s
T <sub>L</sub>	REFERENCE TEMPERATURE	217°C
t <sub>L</sub>	RETENTION TIME FOR T <sub>L</sub>	60s-150s
T <sub>p</sub>	PEAK TEMPERATURE	260°C
t <sub>p</sub>	TIME FOR PEAK TEMPERATURE	WITHIN 10s
DTr/Dt	TEMPERATURE RISING RATE	WITHIN 3°C/sec
DTd/Dt	TEMPERATURE DECREASING RATE	WITHIN 6°C/sec

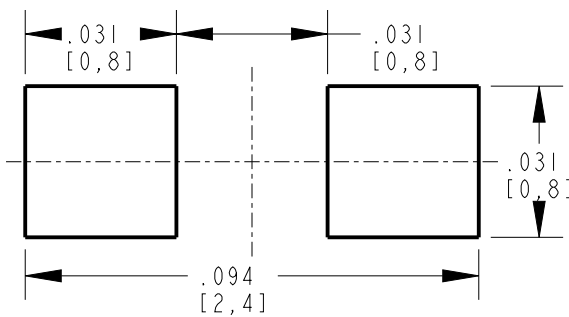
**ABSOLUTE MAXIMUM RATINGS AT 25°C**

LED COLOR (mcd)	POWER DISSIPATION (mW)	FORWARD CURRENT (mA)	PEAK FORWARD CURRENT (mA) 1/10 DUTY CYCLE, 0.1ms PULSE WIDTH	OPERATING TEMPERATURE (°C)	STORAGE TEMPERATURE (°C)	DERATING CURVE (mA/°C)	ELECTROSTATIC DISCHARGE (V)
WHITE(280-800)	108	30	60	-40°C TO +85°C	-40°C TO +85°C	.416	1000

**OPERATING CHARACTERISTICS AT 25°C AMBIENT**

LED COLOR (mcd)	TEST CONDITION (mA)	LUMINOUS INTENSITY (mcd)		FORWARD VOLTAGE (V)		CHROMATICITY COORDINATED (CALCULATED)	REVERSE CURRENT (uA)	VIEWING ANGLE (DEGREES)	THERMAL RESISTANCE (°C/W)
		MIN	MAX	MIN	MAX				
WHITE(280-800)	20mA	280	800	2.8	3.6	X=.212, Y=.169	10µA @ VR=5V	140	450

**RECOMMENDED SOLDER PAD LAYOUT**



THIS DRAWING AND THE CONTENTS HEREIN ARE CONFIDENTIAL AND THE SOLE PROPERTY OF DIALIGHT CORP. REPRODUCTION OF THIS DRAWING OR CONSTRUCTION OF ANY PARTS WITHIN THIS DRAWING ARE FORBIDDEN WITHOUT THE WRITTEN CONSENT OF DIALIGHT CORP.

DIALIGHT CORP INTERNAL REFERENCE ONLY = 3D MODEL : 4500521863923- .1

SCALE: 25.000

ALL DIM's: INCH (mm)

TOLERANCES: UNLESS OTHERWISE SPECIFIED  
FRACTIONS: ±1/64  
DECIMALS (.XX): ±.01  
DECIMALS (.XXX): ±.005  
DECIMALS (.XXXX): ±.0005  
ANGLES: ±1°

FINISH

FSCM 83330

DRAWING NUMBER: C-18694

REV: A

TITLE: SM 0603 WHITE LED 0.7mm THICK

MATERIAL

**Dialight** 1501 ROUTE 34 SOUTH FARMINGDALE, NJ 07727 (732) 919-3119 www.dialight.com

SHEET 1 OF 1 FAMILY TABLE: