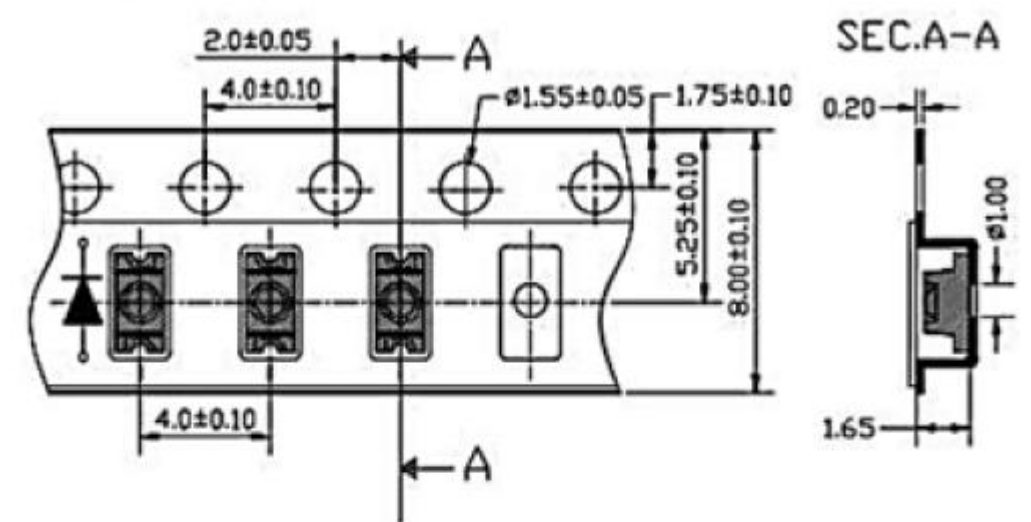
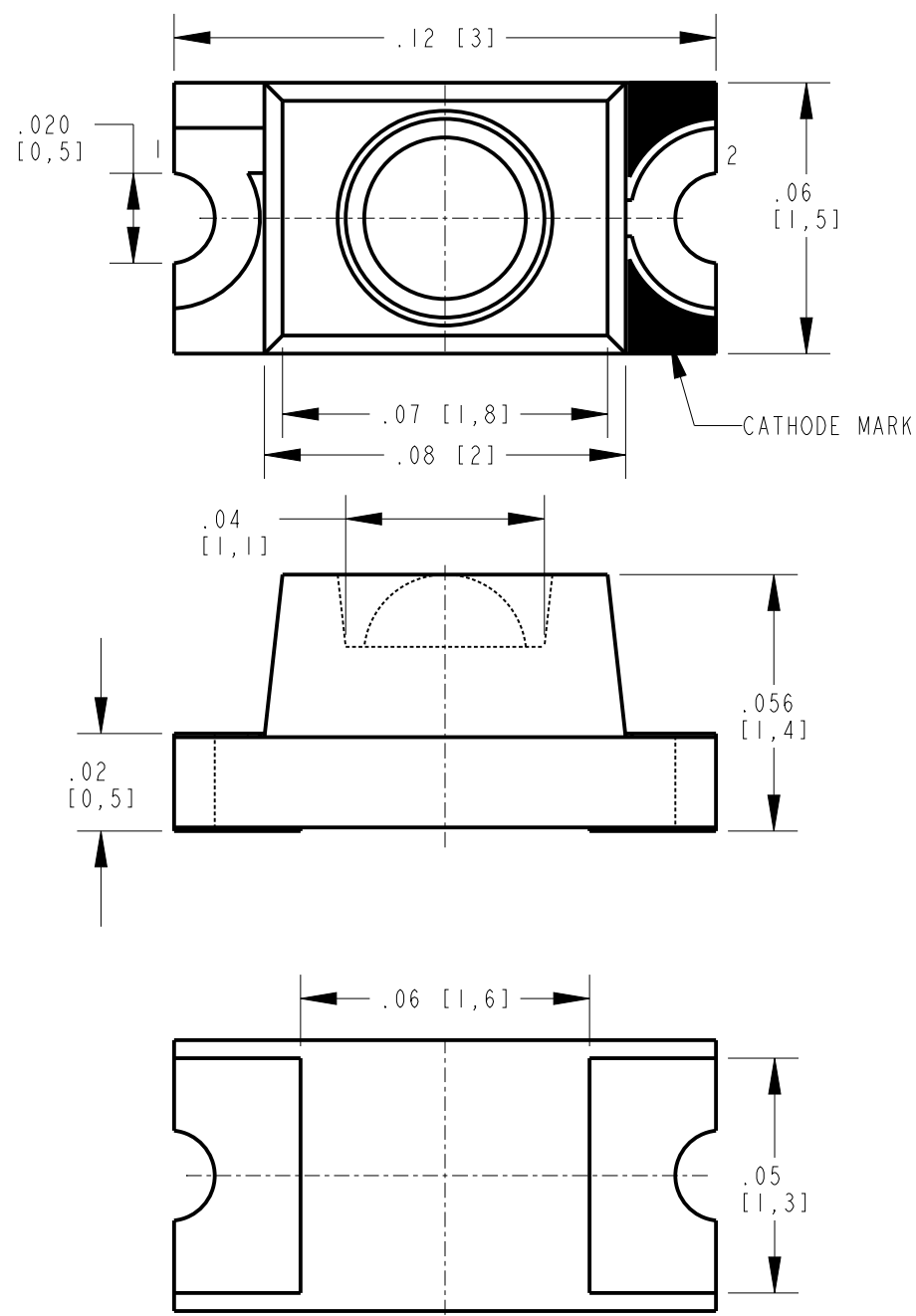


DIALIGHT PART NUMBER	LED COLOR TYP (nm)	LENS COLOR
599-0410-127F	RED (640)	WATER CLEAR
599-0410-122F		
599-0411-127F	RED (630)	
599-0411-122F		
599-0440-127F	YELLOW (590)	
599-0440-122F		
599-0460-127F	GREEN (570)	
599-0460-122F		
599-0461-127F	BRIGHT GREEN (570)	
599-0461-122F		
599-0480-127F	TRUE GREEN (525)	
599-0480-122F		
599-0490-127F	BLUE (470)	
599-0490-122F		

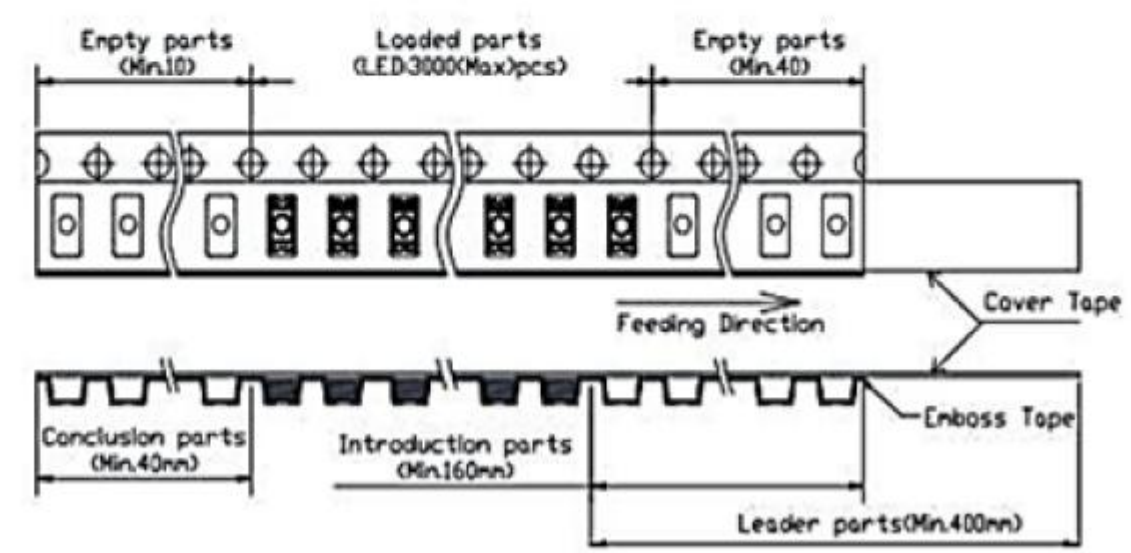
REV	ECN NO	REVISIONS	DRN	CKD	APP	DATE
A	102542	NEW RELEASE	JSG	CS	NO	13FEB23
B	107770	P/N 599-0480-127F & 122F MAX INTENSITY CHANGE 5200 WAS 6800 mcd.	JSG	CS	NO	17JUL23

PACKAGE DIMENSIONS OF TAPE AND REEL

● Dimensions of Tape (Unit: mm)

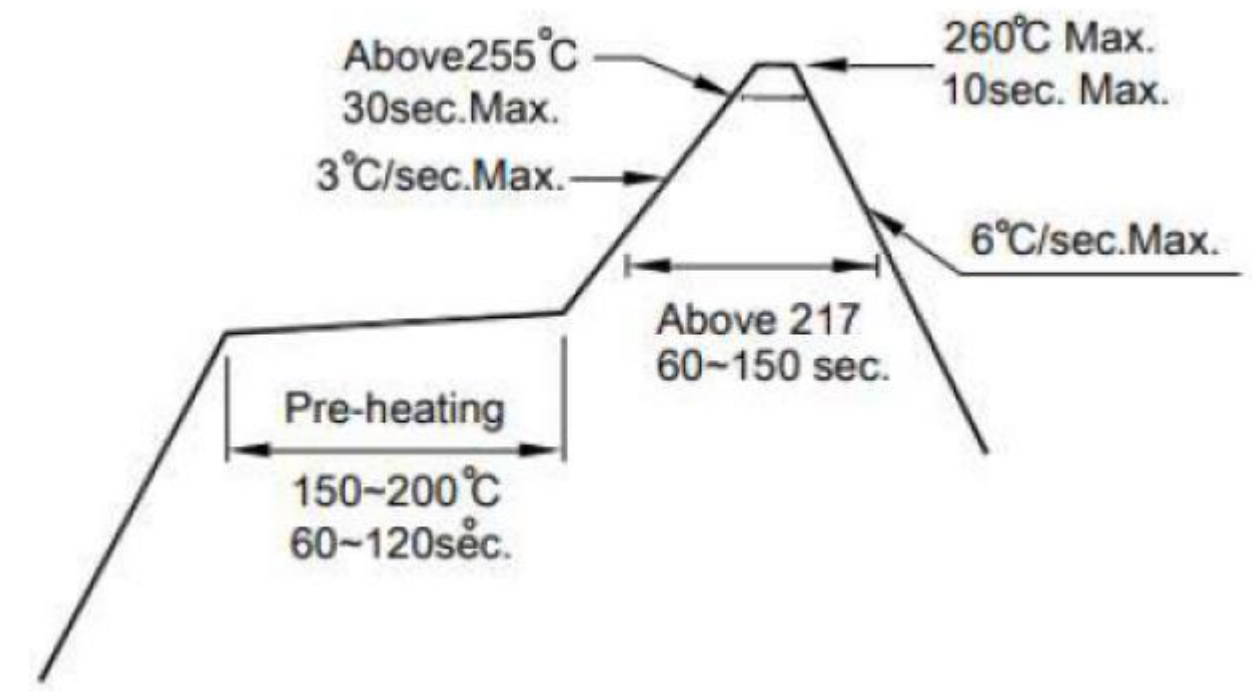
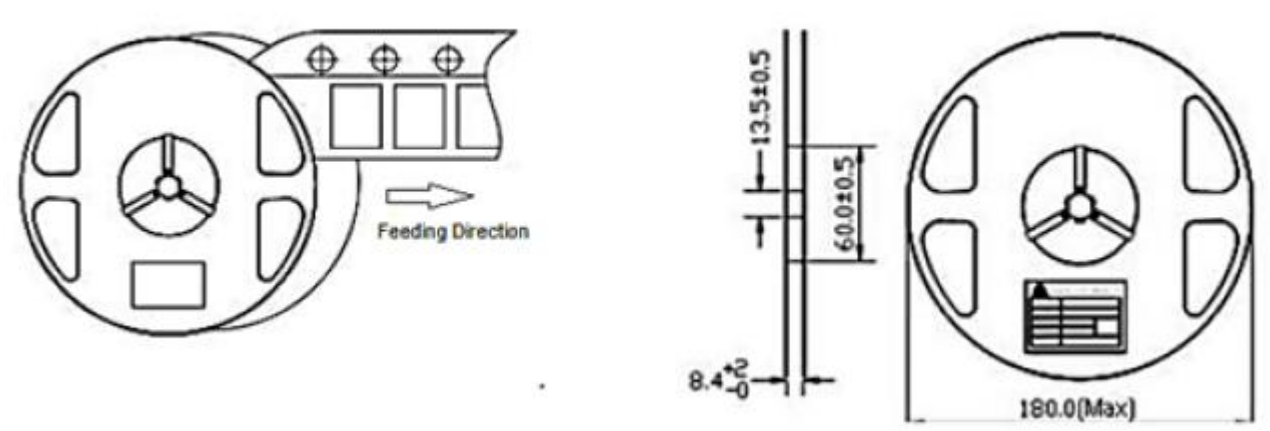


● Arrangement of Tape



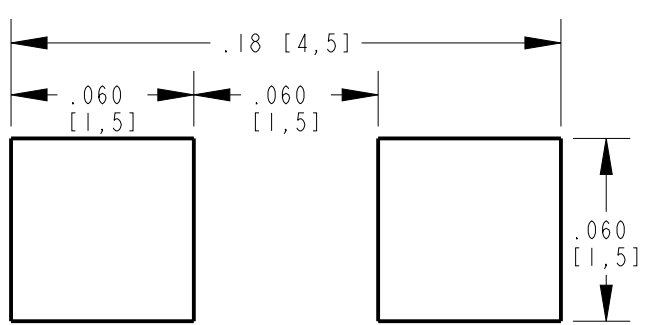
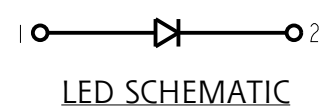
● Feeding Direction

● Dimensions of Reel (Unit: mm)



OPERATING CHARACTERISTICS AT 25°C AMBIENT									
LED COLOR	TEST CONDITION (mA)	LUMINOUS INTENSITY (mcd)		FORWARD VOLTAGE (V)		DOMINANT WAVELENGTH (nm)		REVERSE CURRENT (uA)	VIEWING ANGLE (DEGREES)
		MIN	MAX	MIN	MAX	MIN	MAX	MAX	TYP
RED	20	50	160	1.8	2.4	630	650	10µA@VR=5V	40
RED		200	630	1.8	2.4	625	635		
YELLOW		200	630	1.8	2.4	585	595		
GREEN		63	200	1.8	2.4	565	576		
BRIGHT GREEN		80	320	1.8	2.6	565	576		
TRUE GREEN		2000	5200	2.8	3.7	520	530		
BLUE		320	1000	2.8	3.7	460	470		

- NOTES:
- PIN NUMBERS ARE FOR REFERENCE ONLY, DESIGNATION NON-EXISTENT ON PART.
 - LABELING FOR REEL AND OUTSIDE OF ALUMINUM BAG, DIALIGHT P/N, QUANTITY PER REEL, DATE CODE, INTENSITY BIN CODE, LOT NUMBER AND COUNTRY OF ORIGIN.
 - THIS PRODUCT IS RoHS COMPLIANT. EACH BAG IS TO BE MARKED WITH RoHS COMPLIANT LABEL OR EQUIVALENT MARKINGS. LED MUST BE Pb FREE.
 - MOISTURE SENSITIVITY LEVEL 3.
 - QUANTITY : PART NUMBERS END WITH 127F REFER AS 3000 PCS/ REEL PART NUMBERS END WITH 122F REFER AS 20 PCS/ STRIP



ABSOLUTE MAXIMUM RATINGS AT 25°C							
LED COLOR	POWER DISSIPATION (mW)	FORWARD CURRENT (mA)	PEAK FORWARD CURRENT (mA)	REVERSE VOLTAGE (V)	OPERATING TEMPERATURE (°C)	STORAGE TEMPERATURE (°C)	DERATING CURVE FROM 25°C (mA/°C)
RED	111	30	125 (1/10 DUTY CYCLE, 0.1ms PULSE WIDTH)	5	-40°C TO +80°C	-40°C TO +85°C	0.333
RED	75	30		5			0.333
YELLOW	75	30		5			0.333
GREEN	111	30		5			0.333
BRIGHT GREEN	75	30		5			0.333
TRUE GREEN	111	30		5			0.333
BLUE	111	30		5			0.333



THIS DRAWING AND THE CONTENTS HEREIN ARE CONFIDENTIAL AND THE SOLE PROPERTY OF DIALIGHT CORP. REPRODUCTION OF THIS DRAWING OR CONSTRUCTION OF ANY PARTS WITHIN THIS DRAWING ARE FORBIDDEN WITHOUT THE WRITTEN CONSENT OF DIALIGHT CORP.

DIALIGHT CORP. INTERNAL REFERENCE ONLY = 3D MODEL : 4500521861K29-PADL100T-A-1

SCALE: 1:6.000 DRAWING NUMBER: C-18654 REV: B

TOLERANCES: UNLESS OTHERWISE SPECIFIED

FRACTIONS: ±1/64
DECIMALS (.XX): ±.01
DECIMALS (.XXX): ±.005
DECIMALS (.XXXX): ±.0005
ANGLES: ±1°

FINISH: -

FSCM 83330 SHEET 1 OF 1 FAMILY TABLE:

Dialight 1501 ROUTE 34 SOUTH, FARMINGDALE, NJ 07727 (732) 919-3119 www.dialight.com

TITLE: SM LED 1206 WITH LENS MATERIAL: -