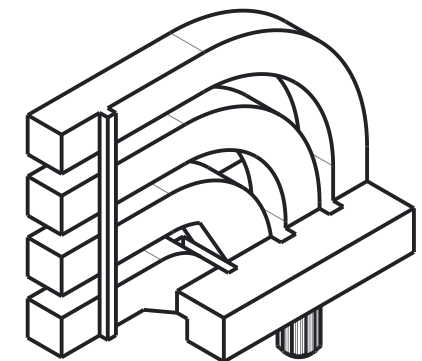
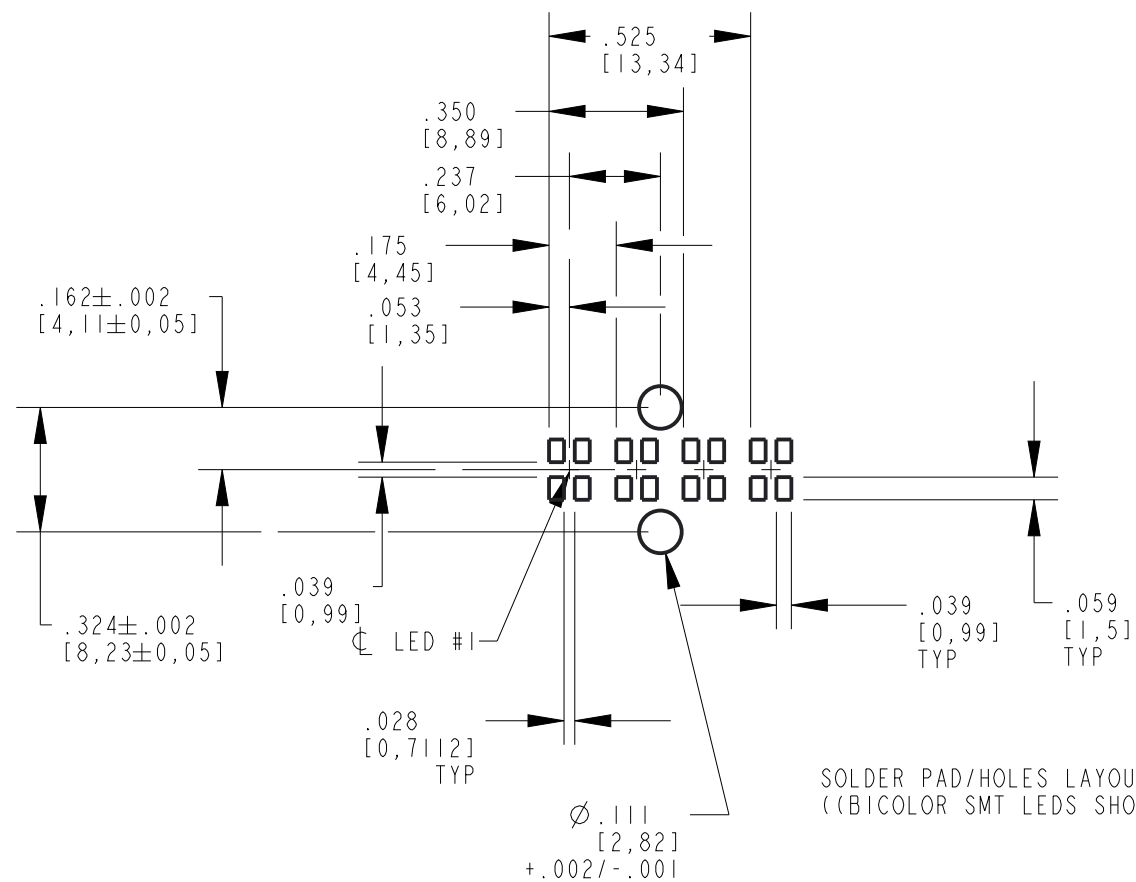
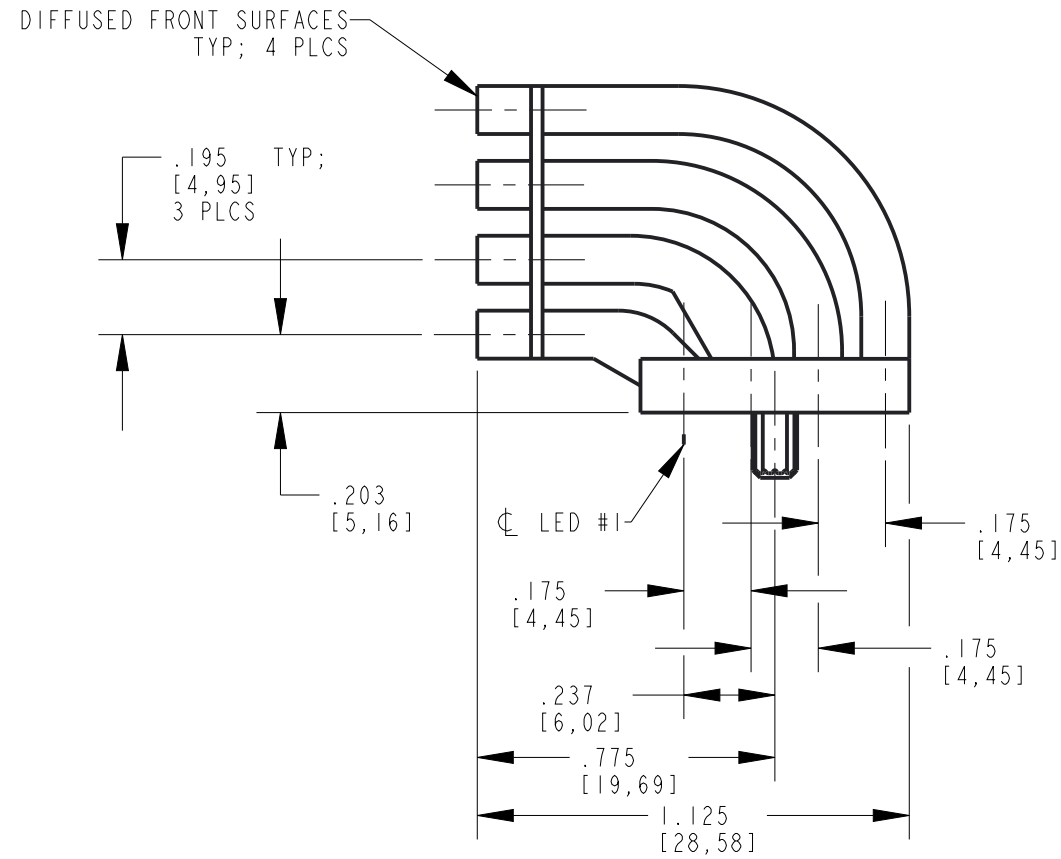
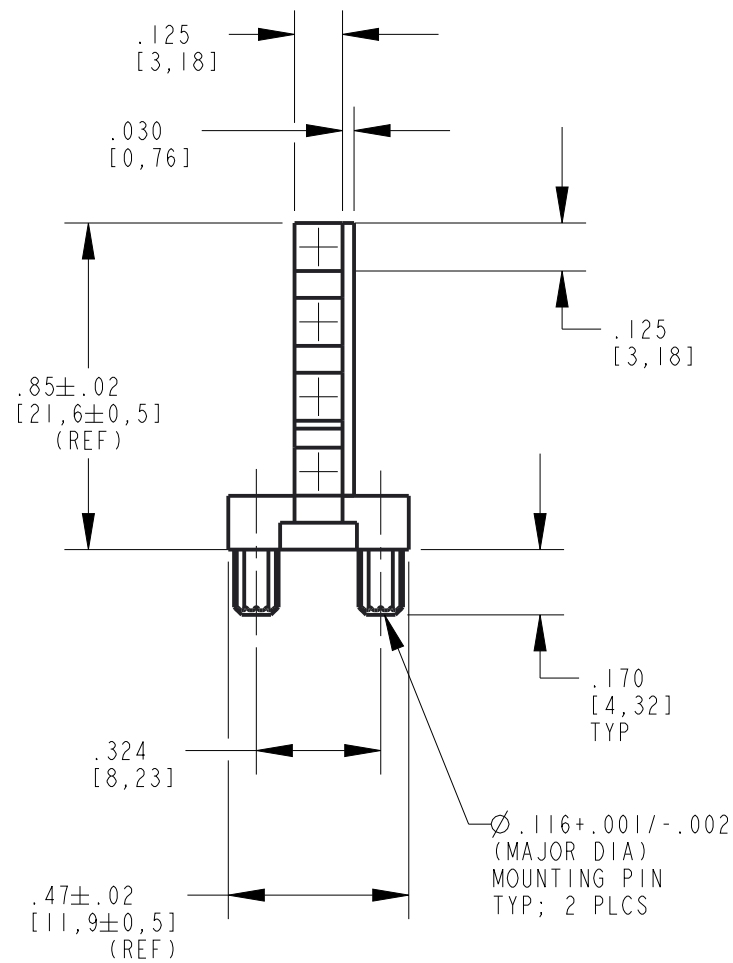


REV	ECN NO	REVISIONS	DRN	CKD	APP	DATE
A	97916	NEW RELEASE	LD	CS		9-27-22



NOTES:

1. ASSEMBLY DESIGNED TO BE PRESSED INTO .062" THICK P.C. BOARD.
2. LIGHTSOURCE: SINGLE OR BICOLOR SMT LEDS (DIALIGHT PART NUMBER SERIES 597-XXXX-1XXF).
3. DIALIGHT LIGHTPIPE PART NUMBER: 515-1023F

THIS DRAWING AND THE CONTENTS HEREIN ARE CONFIDENTIAL AND THE SOLE PROPERTY OF DIALIGHT CORP. REPRODUCTION OF THIS DRAWING OR CONSTRUCTION OF ANY PARTS WITHIN THIS DRAWING ARE FORBIDDEN WITHOUT THE WRITTEN CONSENT OF DIALIGHT CORP.

SCALE: 2.000	DRAWING NUMBER	REV
ALL DIM's: INCH (mm)	C-18614	A
TOLERANCES: UNLESS OTHERWISE SPECIFIED	TITLE	
FRACTIONS: ±1/64	ASSY, QUAD-LEVEL LIGHTPIPE	
DECIMALS (.XX): ±.01	MATERIAL	
DECIMALS (.XXX): ±.005	FINISH	
DECIMALS (.XXXX): ±.0005	Dialight	
ANGLES: ±1°	1501 ROUTE 34 SOUTH FARMINGDALE, NJ 07727 (732) 919-3119 www.dialight.com	
FSCM 83330	SHEET 1 OF 1	FAMILY TABLE: