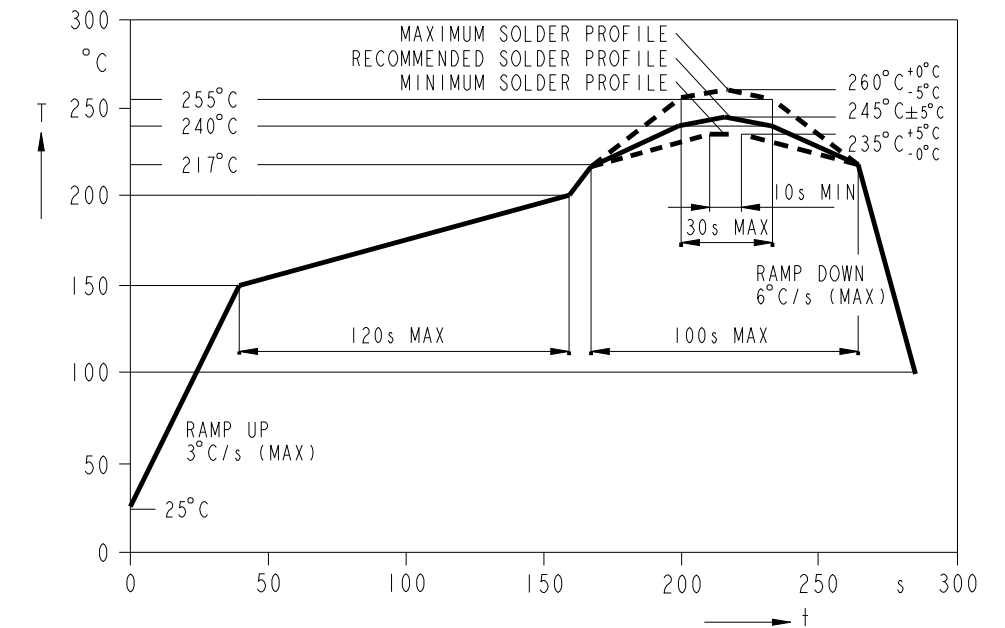


PART NUMBER	LED COLOR	MSL
591-2001-102NF	InGaAlP RED	2
591-2001-107NF		
591-2001-113NF	GaAlAs RED	3
591-2101-102NF		
591-2101-107NF		
591-2101-113NF	InGaAlP GREEN	2
591-2301-102NF		
591-2301-107NF	InGaAlP YELLOW	2
591-2401-102NF		
591-2401-107NF	InGaAlP ORANGE	2
591-2501-102NF		
591-2501-113NF		

OPERATING CHARACTERISTICS AT 25°C AMBIENT														
LED COLOR	LUMINOUS INTENSITY TEST CONDITION	LUMINOUS INTENSITY (mcd)			FORWARD VOLTAGE TEST CONDITION			REVERSE CURRENT (μA)	DOMINANT WAVELENGTH (nm)			PEAK WAVELENGTH (nm)	VIEWING ANGLE (DEG)	
		MIN	TYP	MAX	MIN	TYP	MAX		MIN	TYP	MAX			
InGaAlP RED	IF = 10mA		13		IF = 20mA	1.8	2.0	2.3	10	627	633	639	645	40
GaAlAs RED	IF = 10mA		33		IF = 20mA		1.85	2.5	10				655	40
InGaAlP GREEN	IF = 10mA		19		IF = 20mA	1.8	2.0	2.4	10	566	570	575	572	40
InGaAlP YELLOW	IF = 10mA		57		IF = 20mA	1.9	2.0	2.4	10	580	587	595	591	40
InGaAlP ORANGE	IF = 10mA		61		IF = 20mA	1.8	2.0	2.4	10	600	606	609	610	40

LED COLOR	FORWARD CURRENT (mA)	PEAK FORWARD CURRENT (mA) (t ≤ 10μs, D = 0.05)	LINEAR DERATION	REVERSE VOLTAGE (V)	OPERATING TEMPERATURE	STORAGE TEMPERATURE	ESD WITHSTAND VOLTAGE (V)
InGaAlP RED	30	1000	1.00 mA/°C FROM 85°C	12	-40°C / +100°C	-40°C / +100°C	2000
GaAlAs RED	30	155	0.42 mA/°C FROM 25°C	12	-40°C / +85°C	-40°C / +85°C	3000
InGaAlP GREEN	30	1000	1.00 mA/°C FROM 85°C	12	-40°C / +100°C	-40°C / +100°C	2000
InGaAlP YELLOW	30	200	1.00 mA/°C FROM 85°C	12	-40°C / +100°C	-40°C / +100°C	2000
InGaAlP ORANGE	30	1000	1.00 mA/°C FROM 85°C	12	-40°C / +100°C	-40°C / +100°C	2000

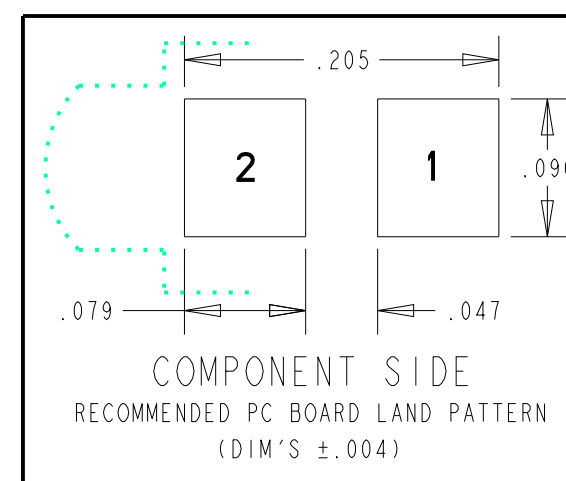
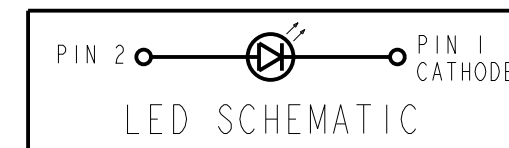
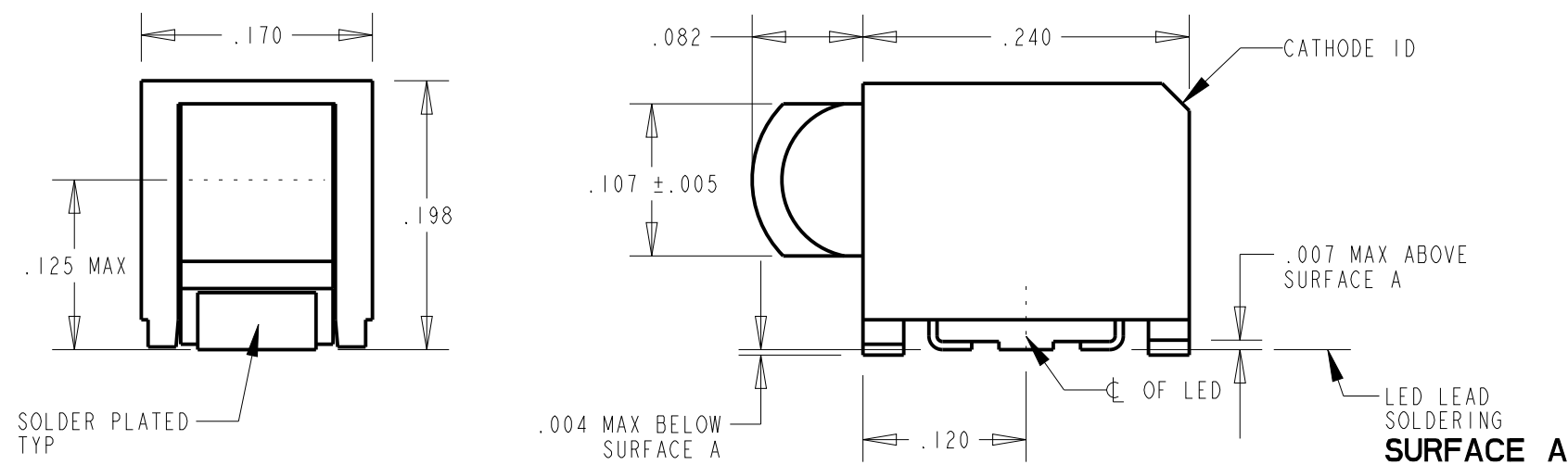
REV	REVISIONS	DRN	CKD	APP	DATE
A	NEW RELEASE	LD		NO	2-18-21
B	CHANGED FORWARD VOLTAGE FROM 10mA to 20mA	LD		NO	3-9-21



RECOMMENDED RoHS COMPLIANT REFLOW PROFILE

NOTES :

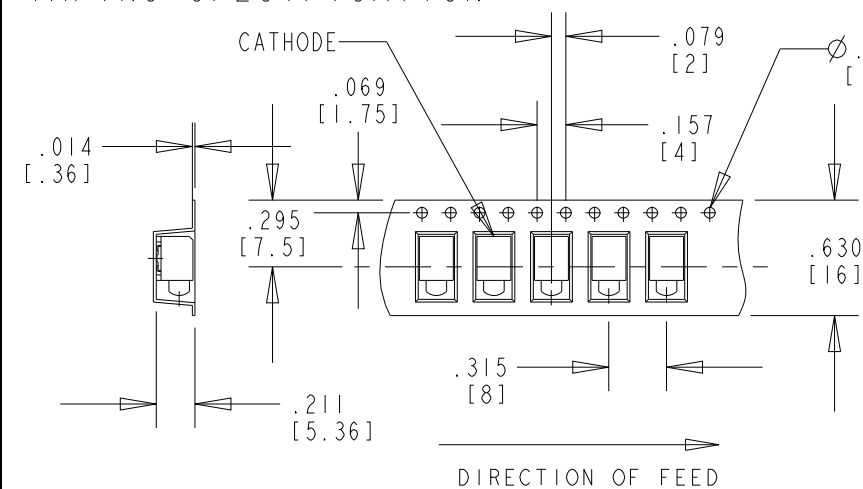
- MILLIMETER DIMENSIONS SHOWN FOR REFERENCE ONLY.
- PAD NUMBERS ARE FOR REFERENCE ONLY, DESIGNATION NON-EXISTENT ON PART.
- STORAGE CONDITIONS FOR TAPED PRODUCT: RE-TAPING MAY BE NECESSARY FOR PRODUCTS STORED MORE THAN TWELVE MONTHS.
- ORDER QUANTITY IS LED ASSEMBLIES, NOT REELS.
- ...-102NF SUFFIX MEANS PARTS ARE PACKED ON A 20 pc SAMPLE STRIP
...-107NF SUFFIX MEANS PARTS ARE PACKED ON A 7 INCH REEL, 400 pcs/REEL
...-113NF SUFFIX MEANS PARTS ARE PACKED ON A 13 INCH REEL, 1600 pcs/REEL
- LENS MOVEMENT IN RELATIONSHIP TO THE HOUSING IS:
.009" T.I.R. VERTICALLY
.007" T.I.R. HORIZONTALLY
- FRONT AND REAR TERMINALS OF THE ASSEMBLY TO BE WITHIN .005 COPLANARITY.
- DIALIGHT PART NUMBERS = 591-2x01-102NF 591-2x01-107NF 591-2x01-113NF
- DRY PACK PACKAGING CONSIST OF A DESICCANT AND HUMIDITY INDICATOR CARD IN A VACUUM SEALED MOISTURE BARRIER BAG, MOISTURE SENSITIVITY LABEL
- THIS ASSEMBLY CONTAINS ELECTROSTATIC DISCHARGE SENSITIVE DEVICES (ESDS). MAINTAIN ALL PRECAUTIONARY MEASURES DURING ASSEMBLY, HANDLING, AND STORAGE IN ACCORDANCE WITH IPC-A-610.



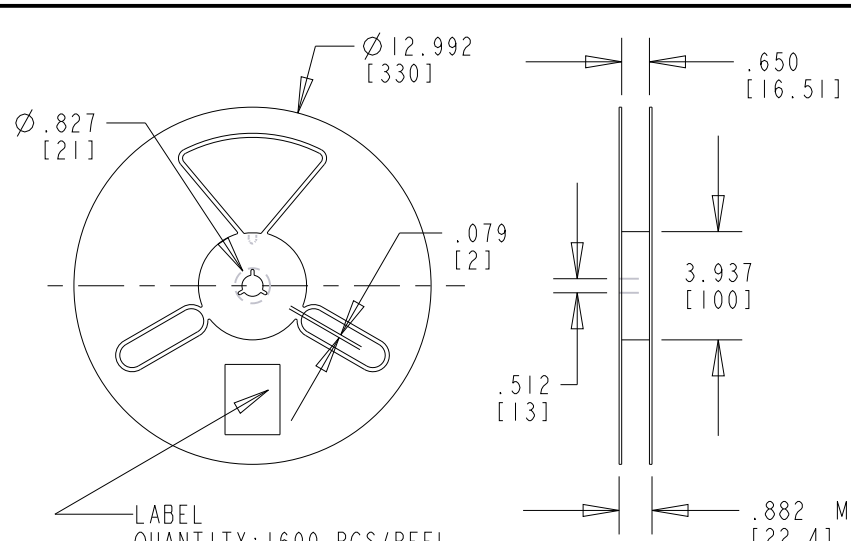
RoHS Compliant 591-2X01-1XXNF

Part Numbers with the "F" suffix ending are RoHS Compliant.
Example: 591-2001-102F
Packaging is marked with "RoHS Compliant" label or equivalent markings.
Parts can be reflow soldered per RoHS reflow profile, wave soldered, dip soldered or hand soldered using typical lead-free soldering process with max 260°C temp. for 5 sec.

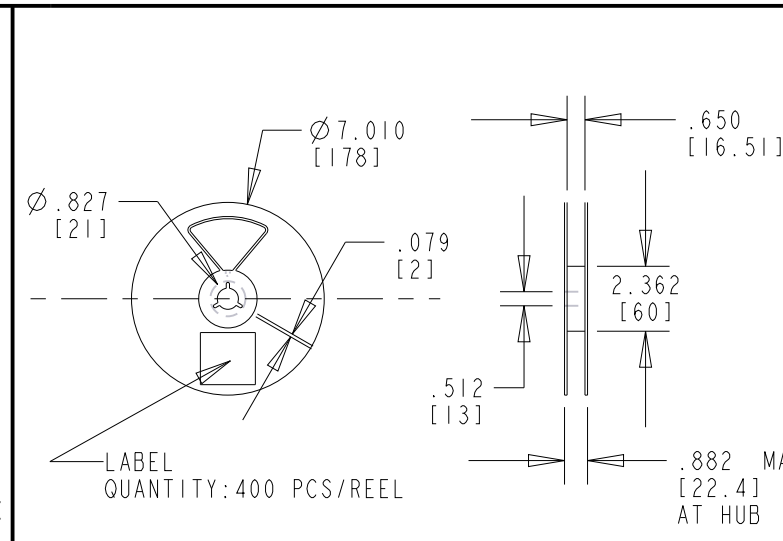
TAPING SPECIFICATION



TOLERANCE: .004 UNLESS OTHERWISE SPECIFIED
MILLIMETER DIMENSIONS SHOWN FOR REFERENCE ONLY



13 INCH DIA. REEL SPECIFICATIONS



7 INCH DIA. REEL SPECIFICATIONS




ATTENTION:
OBSERVE PRECAUTIONS FOR
HANDLING ELECTROSTATIC
SENSITIVE DEVICES

THIS DRAWING AND THE CONTENTS HEREIN ARE CONFIDENTIAL AND THE SOLE PROPERTY OF DIALIGHT CORP. REPRODUCTION OF THIS DRAWING OR CONSTRUCTION OF ANY PARTS WITHIN THIS DRAWING ARE FORBIDDEN WITHOUT THE WRITTEN CONSENT OF DIALIGHT CORP.		
SCALE: DRAWING SCALE	DRAWING NUMBER	REV
ALL DIM'S IN: INCHES (MM)	C-18498	A
TOLERANCES: UNLESS OTHERWISE SPECIFIED	TITLE SURFACE MOUNT CBI - SQUARE LENS	
FRACTIONS: ±1/64	RoHS COMPLIANT	
DECIMALS (.XX): ±.02	MATERIAL	
DECIMALS (.XXX): ±.010	FINISH	
ANGLES: ±3°	FSCM 83330	
SHEET 1 OF 2 FAMILY TABLES:		



REV	ECN NO	REVISIONS	DRN	CKD	APP	QA	CM	DATE
A	---	NEW RELEASE	X					

THIS DRAWING AND THE CONTENTS HEREIN ARE CONFIDENTIAL AND THE SOLE PROPERTY OF DIALIGHT CORP. REPRODUCTION OF THIS DRAWING OR CONSTRUCTION OF ANY PARTS WITHIN THIS DRAWING ARE FORBIDDEN WITHOUT THE WRITTEN CONSENT OF DIALIGHT CORP.		
<small>DIALIGHT CORP. INTERNAL REFERENCE ONLY = 3D MODEL : MODEL NAME-A-B</small>		
SCALE: DRAWING SCALE	DRAWING NUMBER	REV
ALL DIM'S IN: INCHES (MM)		
TOLERANCES: UNLESS OTHERWISE SPECIFIED FRACTIONS: ±1/64 DECIMALS (.XX): ±.01 DECIMALS (.XXX): ±.005 DECIMALS (.XXXX): ±.0005 ANGLES: ±1°	TITLE	
FINISH	MATERIAL	
FSCM 83330	 1501 ROUTE 34 SOUTH FARMINGDALE, NJ 07727 (732) 919-3119 www.dialight.com	
	SHEET 2 OF 2	FAMILY TABLE: