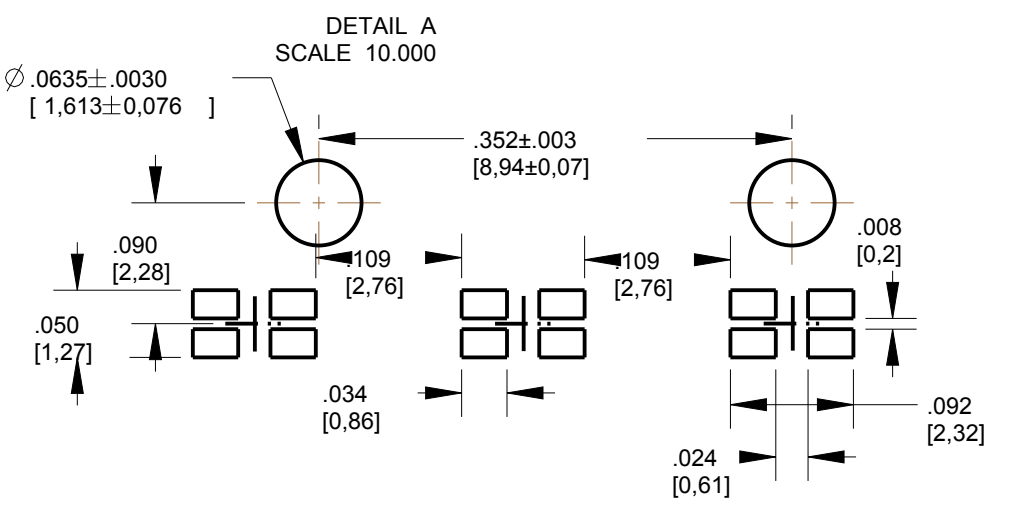
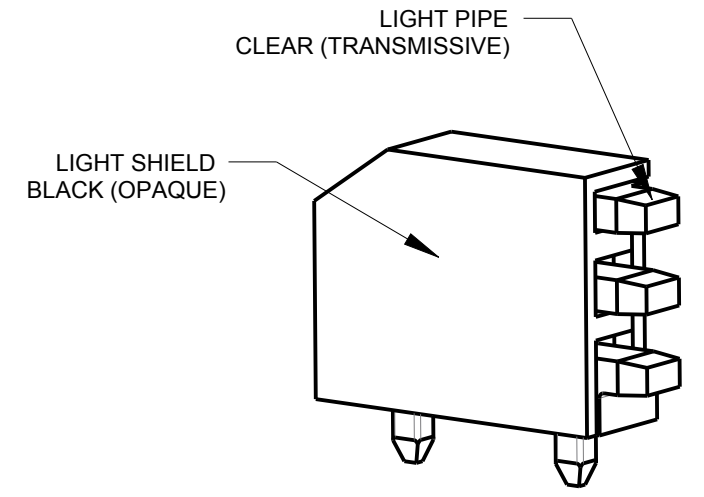
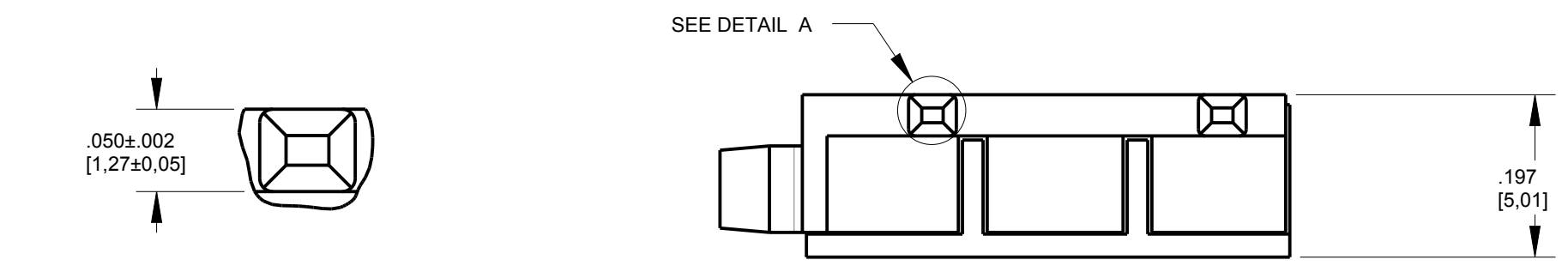
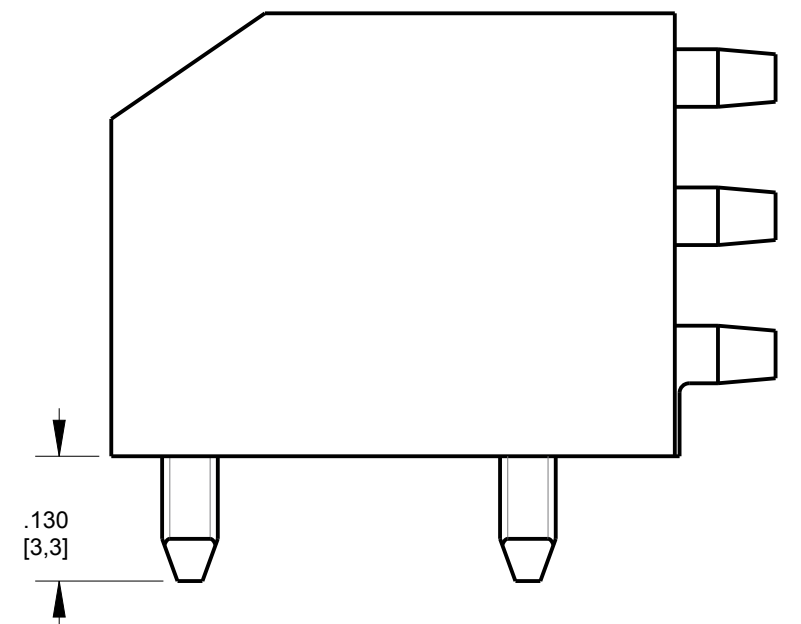
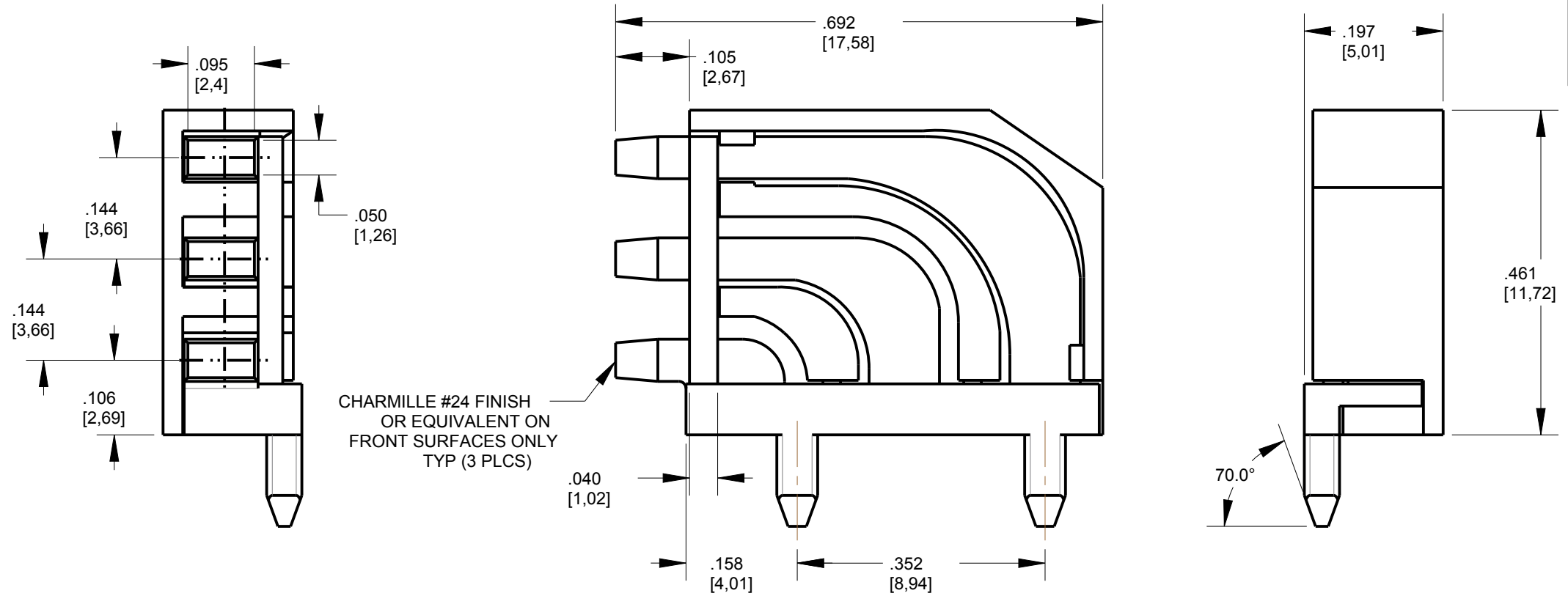



REV	ECN NO	REVISIONS	DRN	CKD	APP	QA	CM	DATE
A	---	NEW RELEASE	BP	---	NO	---	---	7-21-17
B	---	ADDED 70° DIMENSION TO MOUNTING PIN	LD	---	SK	---	---	5-17-18



- NOTES:
1. LIGHT PIPE TO BE MOLDED IN A CLEAR TRANSMISSIVE POLYCARBONATE (UL 94V-0 FLAMMABILITY CLASS). LIGHT SHIELD TO BE MOLDED IN A BLACK PBT (UL 94V-0 FLAMMABILITY CLASS).
 2. COMPONENTS DESIGNED TO BE PRESSED INTO P.C. BOARD.
 3. DIALIGHT PART NUMBER: 515-1064-812F.

RoHS COMPLIANT 515-1064-812F
 Part Numbers with the "F" suffix ending are RoHS Compliant.
 Packaging is marked with "RoHS Compliant" label or equivalent markings.

THIS DRAWING AND THE CONTENTS HEREIN ARE CONFIDENTIAL AND THE SOLE PROPERTY OF DIALIGHT CORP. REPRODUCTION OF THIS DRAWING OR CONSTRUCTION OF ANY PARTS WITHIN THIS DRAWING ARE FORBIDDEN WITHOUT THE WRITTEN CONSENT OF DIALIGHT CORP.		
SCALE: 5.000 ALL DIM's: INCH (mm)	DRAWING NUMBER C-18307	REV B
TOLERANCES: UNLESS OTHERWISE SPECIFIED FRACTIONS: ±1/64 DECIMALS (.XX): ±.01 DECIMALS (.XXX): ±.005 DECIMALS (.XXXX): ±.0005 ANGLES: ±1°	TITLE TRI-LVEL RECT LP W BARRIER	
FINISH	MATERIAL	
FSCM 83330	 1501 ROUTE 34 SOUTH FARMINGDALE, NJ 07727 (732) 919-3119 www.dialight.com	
SHEET 1 OF 1	FAMILY TABLE:	