

NOTES:

1. MATERIALS AND FINISHES:

BODY - BRASS, NICKEL PLATING
 CONTACT - BeCu, SILVER PLATING
 INSULATOR - PTFE, NATURAL
 PIN - BRASS, SILVER PLATING

2. ELECTRICAL:

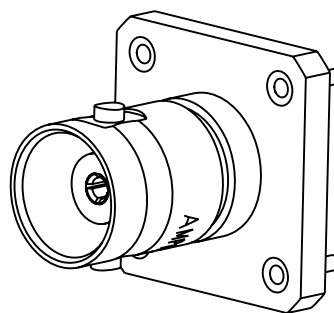
A. IMPEDANCE: 50 OHM
 B. FREQUENCY RANGE: DC - 4 GHz
 C. DIELECTRIC WITHSTANDING VOLTAGE: 1500 VRMS, MIN.

3. MECHANICAL:

A. DURABILITY: 500 CYCLES MIN.
 B. TEMPERATURE RANGE: -65° C TO +165° C

4. PACKAGING:

A. QUANTITY: 25 PCS/TRAY
 B. MARKING: TRAY TO BE MARKED
 "AMPHENOL RF, 18225, AND DATE CODE"

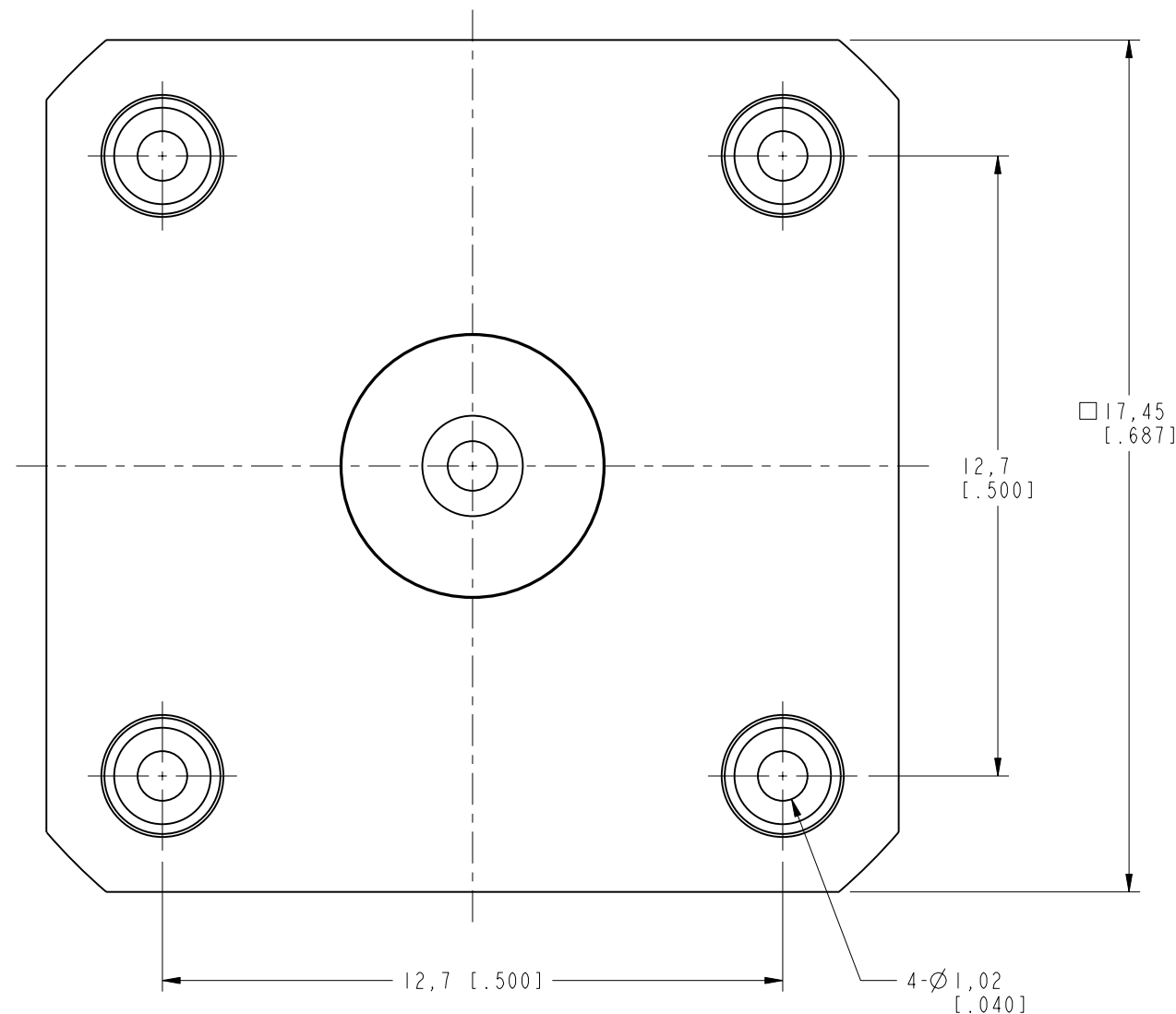
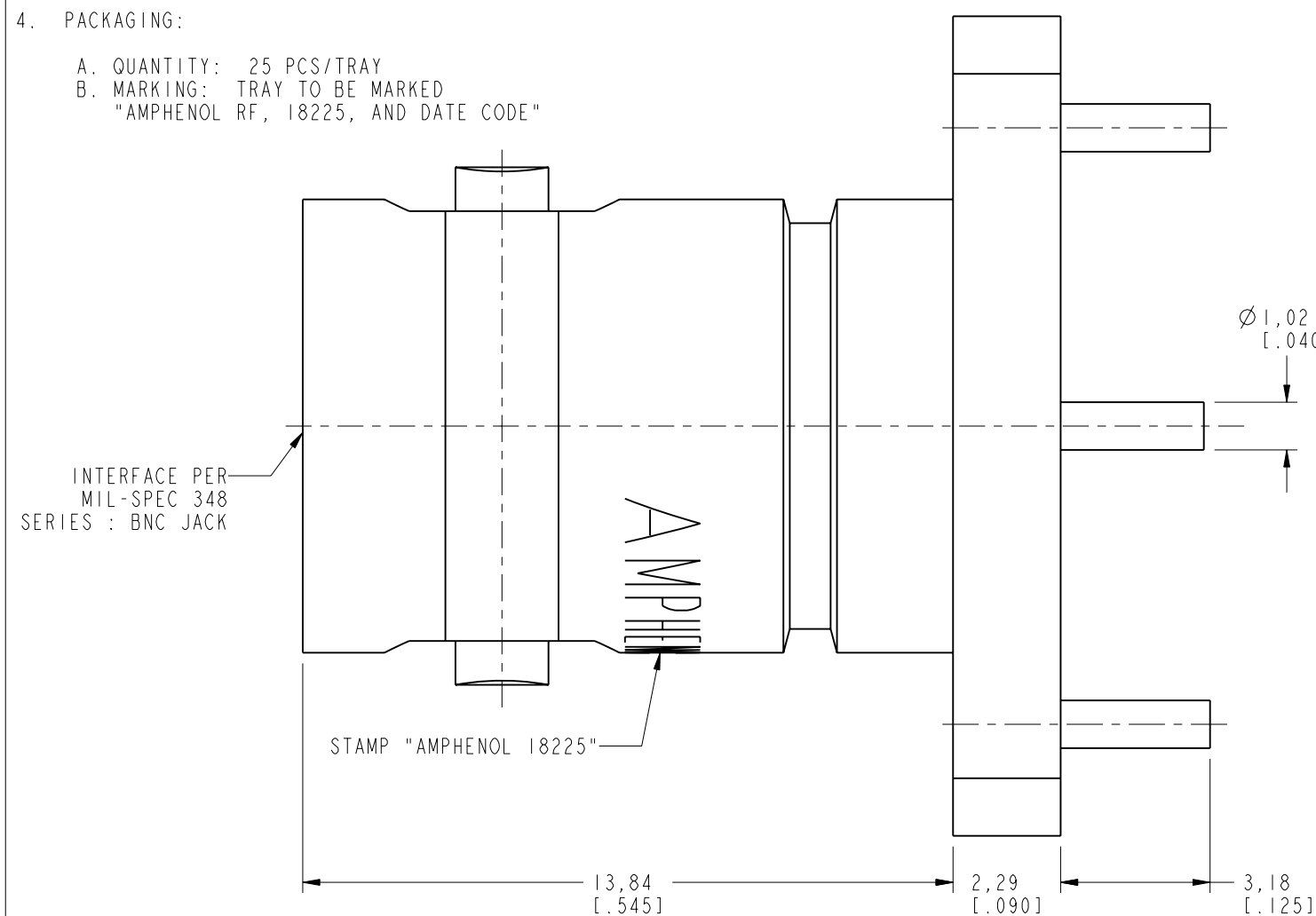


SCALE 2.000

THIRD ANGLE PROJ.

REVISIONS

REV	DESCRIPTION	DATE	ECO	APPR
B	THE BODY WAS CHANGED/RD-DM08092901T	08-Oct-08	--	SH
T	SEE SHEET 1	15-Jun-09	47491	SH
U	REDRAWN IN PRO-E\N/A	23-Apr-15	50266	HHE
V	CHANGE SINGLE PACK TO TRAY PACK \RD-DM17031001S2	10-Mar-17	03262	KEN



CUSTOMER OUTLINE DRAWING

ALL OTHER SHEETS ARE FOR INTERNAL USE ONLY

UNLESS OTHERWISE SPECIFIED, DIMENSIONS ARE IN METRIC AND TOLERANCES ARE: <0.5mm ± 0.05mm 0.5 - 6mm ± 0.1mm 6 - 30mm ± 0.2mm 30 - 120mm ± 0.3mm ANGLES ± 1°	MATERIAL	DRAWN	DATE	TITLE BNC STR JACK RECEPTACLE FOR PRINTED CIRCUIT	Amphenol RF www.amphenolrf.com
	SEE NOTES	S.DUAN	10-Mar-17		
NOTICE - These drawings, specifications, or other data (1) are, and remain the property of Amphenol corp. (2) must be returned upon request; and (3) are confidential and not to be disclosed to any person other than those to whom they are given by Amphenol Corp. the furnishing of these drawings, specifications, or other data by Amphenol Corp., or to any other person to anyone for any purpose is not to be regarded by implication or otherwise in any manner licensing, granting rights to permitting such holder or any other person to manufacture, use or sell any product, process or design, patented or otherwise, that may in any way be related to or disclosed by said drawings, specifications, or other data.	REFERENCE	ENGINEER	DATE	SCALE: 7.0:1.0 SHEET 2 OF 2	DRAWING NO. 18225
	EAR #	S.HSIEH	09-Oct-08		ITEM NO. 18225
	CONFIGURATION LEVEL: In Work	APPROVED	DATE	REV	PART NO. 18225
FINISH	S.HSIEH	20-Mar-17	V		