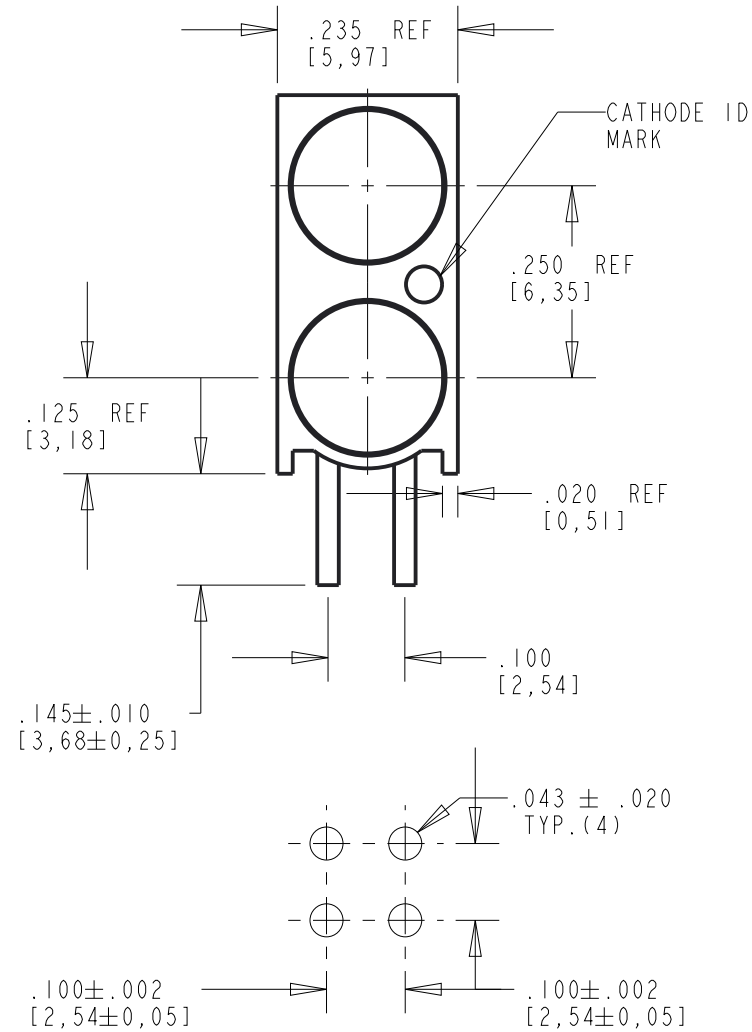
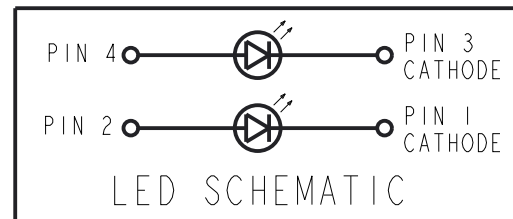


PART NUMBER	POSITION 1	POSITION 2
552-0811-802F	RED DIFFUSED	RED DIFFUSED

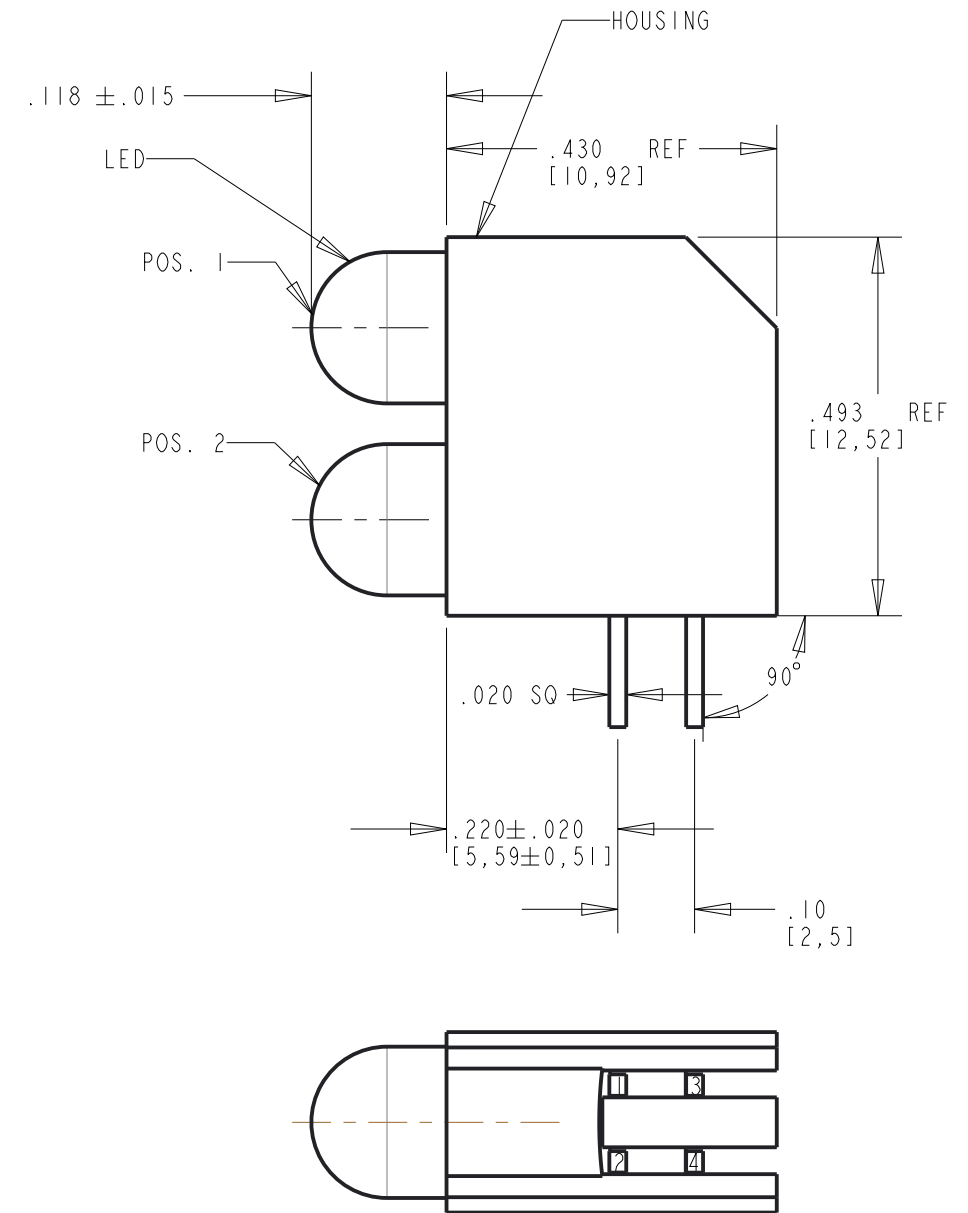
REV	ECN NO	REVISIONS	DRN	CKD	APP	QA	CM	DATE
A		NEW RELEASE						



**ATTENTION:**  
OBSERVE PRECAUTIONS FOR  
HANDLING ELECTROSTATIC  
SENSITIVE DEVICES



P.C. BOARD HOLE PATTERN



LED CHARACTERISTICS	MIN.	TYP.	MAX.	UNITS	TEST CONDITIONS
LUMINOUS INTENSITY	19	40	90	mcd	$I_F = 10 \text{ mA}$
FORWARD VOLTAGE		2.0	2.6	V	$I_F = 20 \text{ mA}$
REVERSE CURRENT			100	$\mu\text{A}$	$V_R = 5\text{V}$
PEAK WAVELENGTH		635		nm	
DOMINANT WAVELENGTH		623		nm	
VIEWING ANGLE (2 $\theta$ 1/2)		50		DEG	

ABSOLUTE MAXIMUM RATINGS	MAX	UNITS
POWER DISSIPATION	81	mW
PEAK FORWARD CURRENT (DUTY CYCLE 1/10, PULSE WIDTH 10 ms)	90	mA
DC FORWARD CURRENT	30	nm
DERATE LINEARLY FROM 50 °C	.71	mA/°C
LEAD SOLDERING TEMPERATURE FOR 5 SEC.	260	°C
OPERATING TEMPERATURE	-40 TO +85	°C
STORAGE TEMPERATURE	-40 TO +100	°C

NOTES:

- LEADS TO FIT INTO HOLES SPACED AS PER HOLE PATTERN.
- LEAD DIMENSIONS SHOWN ARE MEASURED AT HOUSING EXIT.
- DIALIGHT PART NUMBERS: 552-0811-802F.
- THIS ASSEMBLY CONTAINS ELECTROSTATIC DISCHARGE SENSITIVE DEVICES (ESDS). MAINTAIN ALL PRECAUTIONARY MEASURES DURING ASSEMBLY, HANDLING, AND STORAGE IN ACCORDANCE WITH IPC-A-610.
- PIN NUMBERS FOR REFERENCE ONLY, DESIGNATION NON-EXISTENT ON PART.

THIS DRAWING AND THE CONTENTS HEREIN ARE CONFIDENTIAL AND THE SOLE PROPERTY OF DIALIGHT CORP. REPRODUCTION OF THIS DRAWING OR CONSTRUCTION OF ANY PARTS WITHIN THIS DRAWING ARE FORBIDDEN WITHOUT THE WRITTEN CONSENT OF DIALIGHT CORP.

SCALE: 4.000	DRAWING NUMBER	REV
ALL DIM'S: INCH (mm)	C-18203	A
TOLERANCES: UNLESS OTHERWISE SPECIFIED	TITLE	MATERIAL
FRACTIONS: ±1/64 DECIMALS (.XX): ±.01 DECIMALS (.XXX): ±.005 DECIMALS (.XXXX): ±.0005 ANGLES: ±1°	5mm BI-LEVEL CBI R,R	
FINISH		
FSCM 83330	SHEET 1 OF 1	FAMILY TABLE:

1501 ROUTE 34 SOUTH  
FARMINGDALE, NJ 07727  
(732) 919-3119  
www.dialight.com