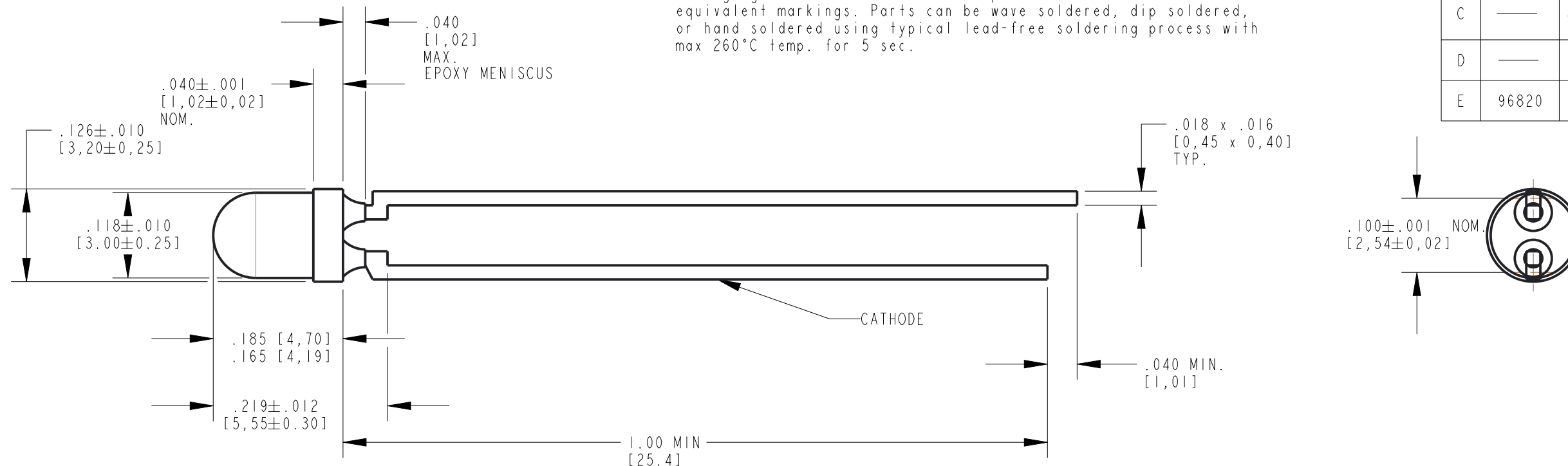


# RoHS Compliant 521-9901-802F

Part Numbers with the "F" suffix ending are RoHS Compliant.  
 Example: 521-9901-802F  
 Packaging is marked with "RoHS Compliant" label or equivalent markings. Parts can be wave soldered, dip soldered, or hand soldered using typical lead-free soldering process with max 260°C temp. for 5 sec.

REV	ECN NO	REVISIONS	DRN	CKD	APP	DATE
A		NEW RELEASE	KLJ	N.O.	MES	11-6-07
B		COLOR COORDIANTE TOLERANCE "±0.01" WAS "±.001".	KLJ	N.O.	TC	5-8-08
C		COLOR BINS 50,60, AND 70 WERE SEPARATED INTO HALF BINS A3,A4, B3,B4,C3,C4,D3, AND D4.	KLJ	NO	AV	12-22-08
D		CHANGED DERATING, WAS 55°C, UPDATED OT/ST	RSK	WFB	NO	2-18-15
E	96820	DIMENSION CORRECTION METRIC DIM 3.20 WAS 9.34	LD		CS	8-24-22



**NOTES:**

1. LENS COLOR: WATER CLEAR (NON-TINTED, NON-DIFFUSED).
2. DIE: InGaN WHITE
3. LEAD SPACING MEASURED NEAR EPOXY PACKAGE.
4. DIALIGHT PART NUMBER: 521-9901-802F
5. THIS ASSEMBLY CONTAINS ELECTROSTATIC DISCHARGE SENSITIVE DEVICES (ESDS). MAINTAIN ALL PRECAUTIONARY MEASURES DURING ASSEMBLY, HANDLING AND STORAGE IN ACCORDANCE WITH IPC-A-610.

INTENSITY BIN	MIN	MAX
LM	400	680
NP	680	1150
QR	1150	1900

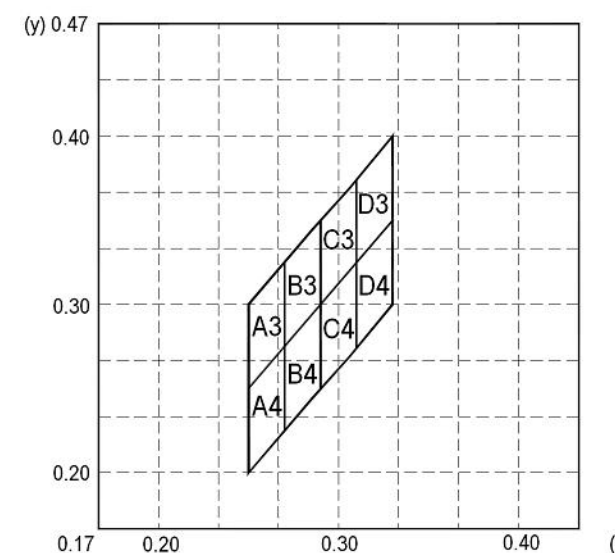
LUMINOUS INTENSITY MEASUREMENTS ALLOWANCE IS 15%

BIN	LIMITS (CHROMATICITY COORDINATES)				
A3	X	.270	.270	.250	.250
	Y	.275	.325	.300	.250
A4	X	.270	.250	.250	.270
	Y	.275	.250	.200	.225
B3	X	.290	.290	.270	.270
	Y	.300	.350	.325	.275
B4	X	.290	.270	.270	.290
	Y	.300	.275	.225	.250
C3	X	.310	.310	.290	.290
	Y	.325	.375	.350	.300
C4	X	.310	.290	.290	.310
	Y	.325	.300	.250	.275
D3	X	.330	.330	.310	.310
	Y	.350	.400	.375	.325
D4	X	.330	.310	.310	.330
	Y	.350	.325	.275	.300

COLOR COORDINATES MEASUREMENT ALLOWANCE IS ±0.01

OPERATING CHARACTERISTICS AT 25°C AMBIENT					
LED CHARACTERISTICS	MIN.	TYP.	MAX.	UNITS	TEST CONDITIONS
LUMINOUS INTENSITY	400	1100	1900	mcd	I <sub>F</sub> = 20mA
FORWARD VOLTAGE		3.5	4.0	V	I <sub>F</sub> = 20mA
REVERSE CURRENT			100	μA	V <sub>R</sub> = 5V
VIEWING ANGLE (2θ 1/2)		45		DEG	

ABSOLUTE MAXIMUM RATINGS AT 25°C AMBIENT	VALUE	UNITS
POWER DISSIPATION	120	mW
DERATING LINEAR FROM 30°C	0.45	mA/°C
FORWARD DC CURRENT	30	mA
PEAK FORWARD CURRENT (≤ 1/10 DUTY CYCLE TW ≤ 10 msec.)	100	mA
REVERSE VOLTAGE @ I <sub>R</sub> = 100μA	5	V
OPERATING TEMPERATURE	-40 TO +85	°C
STORAGE TEMPERATURE	-40 TO +100	°C
LEAD SOLDERING TEMPERATURE (.079" [2.0mm]) FROM BODY	260 FOR 5 SEC.	°C



**ATTENTION:**  
 OBSERVE PRECAUTIONS FOR  
 HANDLING ELECTROSTATIC  
 SENSITIVE DEVICES

THIS DRAWING AND THE CONTENTS HEREIN ARE CONFIDENTIAL AND THE SOLE PROPERTY OF DIALIGHT CORP. REPRODUCTION OF THIS DRAWING OR CONSTRUCTION OF ANY PARTS WITHIN THIS DRAWING ARE FORBIDDEN WITHOUT THE WRITTEN CONSENT OF DIALIGHT CORP.

SCALE: 10.000	DRAWING NUMBER	REV
ALL DIM'S: INCH (mm)	C-17559	E
TOLERANCES: UNLESS OTHERWISE SPECIFIED	TITLE: 3mm InGaN WHITE LED	
FRACTIONS: ±1/64	COLOR BINS A3,A4,B3,B4,C3,C4,D3,D4	
DECIMALS (.XX): ±.01	MATERIAL	
DECIMALS (.XXX): ±.005	FINISH	
DECIMALS (.XXXX): ±.0005	FSCM 83330	
ANGLES: ±1°	SHEET 1 OF 1 FAMILY TABLE:	

**Dialight** 1501 ROUTE 34 SOUTH FARMINGDALE, NJ 07727 (732) 919-3119 www.dialight.com