

NOTES:

1. MATERIALS OF CONSTRUCTION:

BODY = BRASS, WHITE BRONZE PLATING THICKNESS .000080" MIN.  
 CONTACT = PHOSPHOR BRONZE, GOLD PLATING THICKNESS .000005" MIN.  
 INSULATOR = PTFE, NATURAL

2. ELECTRICAL:

A. IMPEDANCE: 50 OHMS  
 B. FREQUENCY RANGE: 0-11 GHz  
 C. DIELECTRIC WITHSTANDING VOLTAGE: 2500 VRMS MIN.

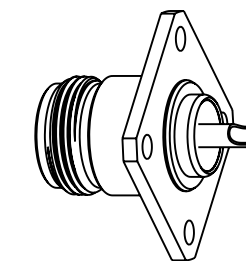
3. MECHANICAL:

A. DURABILITY: 500 CYCLES MIN.  
 B. TEMPERATURE RANGE: -65°C TO +165°C

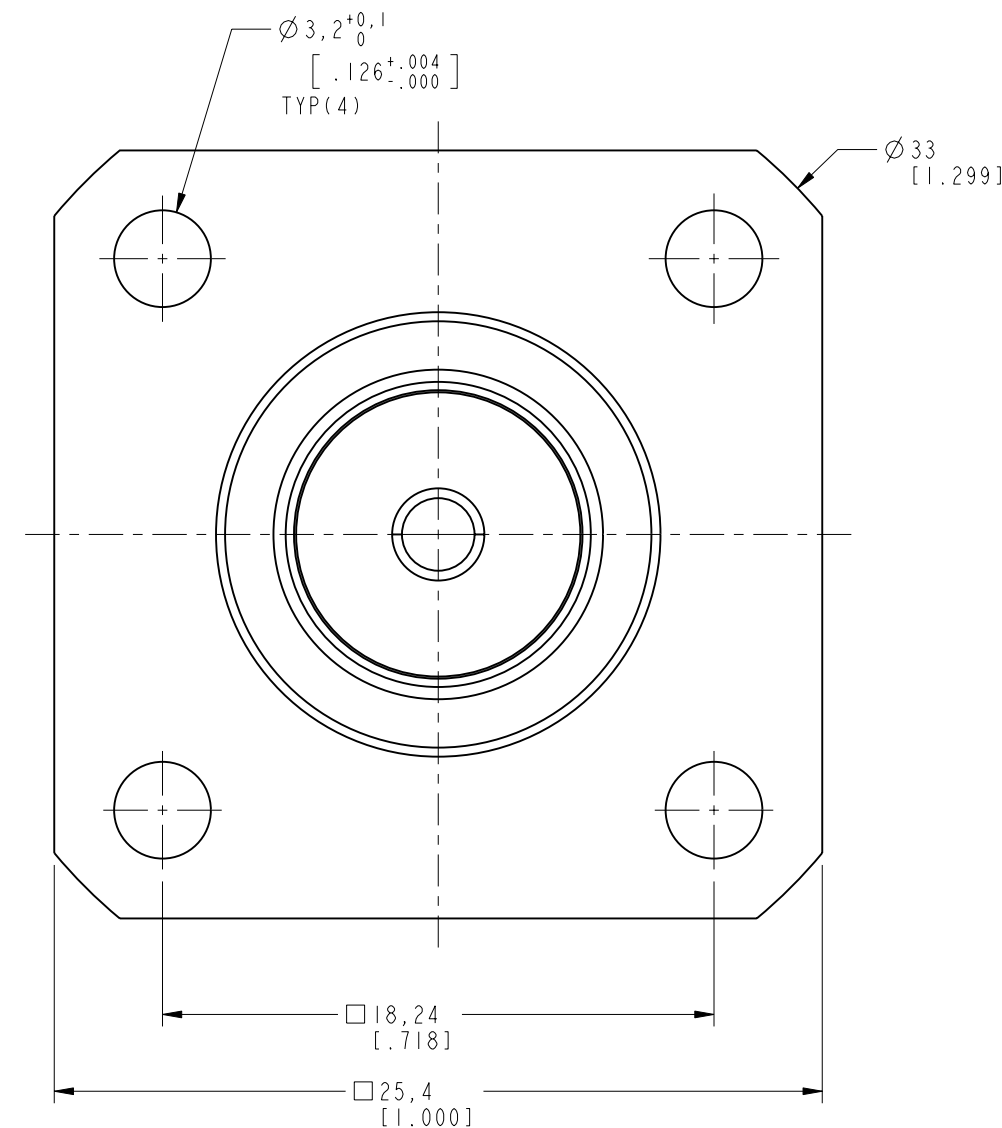
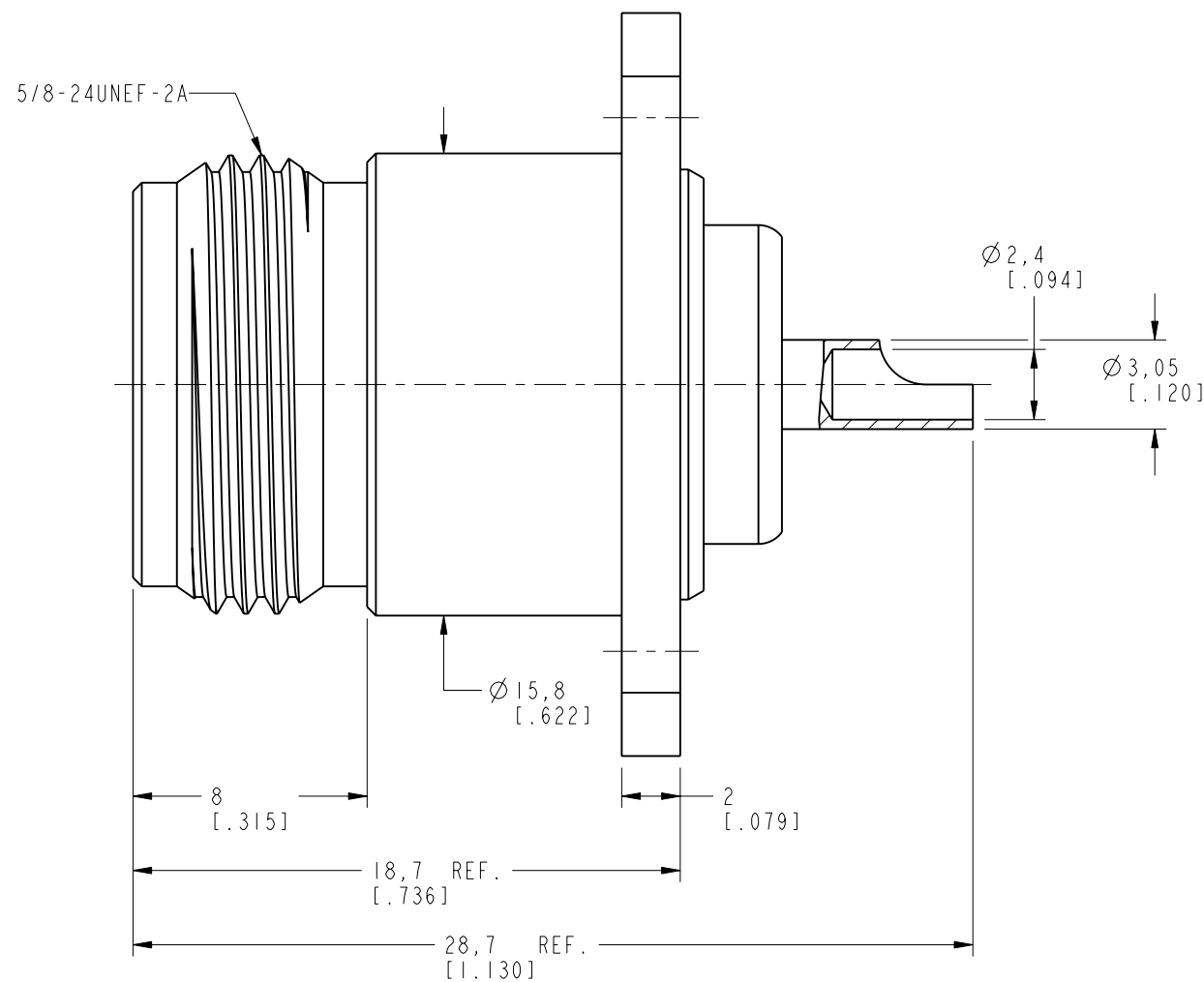
THIRD ANGLE PROJ.

REVISIONS

REV	DESCRIPTION	DATE	ECN	APPR
A	UPDATE DRAWING FORMAT	05-Jun-03	-----	GRS
B	CHANGED THE THE DRAWING NUMBER TO N6551D1-001-AT5GP-50	11-Jun-19	11783	MZ



SCALE 1.000



**CUSTOMER OUTLINE DRAWING**

ALL OTHER SHEETS ARE FOR INTERNAL USE ONLY

UNLESS OTHERWISE SPECIFIED, DIMENSIONS ARE IN METRIC AND TOLERANCES ARE: <0.5mm ±0.05mm    0.5 - 6mm ±0.1mm    6 - 30mm ±0.2mm    30 - 120mm ±0.3mm    ANGLES ±1°	MATERIAL	DRAWN	DATE	TITLE N PANEL RECEPT. JACK	Amphenol RF www.amphenolrf.com	
	SEE NOTES	M. ZHANG	11-Jun-19			
NOTICE - These drawings, specifications, or other data (1) are, and remain the property of Amphenol corp. (2) must be returned upon request; and (3) are confidential and not to be disclosed to any person other than those to whom they are given by Amphenol Corp. the furnishing of these drawings, specifications, or other data by Amphenol Corp., or to any other person to anyone for any purpose is not to be regarded by implication or otherwise in any manner licensing, granting rights to permitting such holder or any other person to manufacture, use or sell any product, process or design, patented or otherwise, that may in any way be related to or disclosed by said drawings, specifications, or other data.	REFERENCE	ENGINEER	DATE	SCALE: 4.0:1.0    SHEET 2 OF 2	DRAWING NO. N6551D1-001-AT5GP-50	
	EAR#	L. QIN	20-May-19		REV B	ITEM NO. 036551AMAAICP5F
	REF: SAME AS N6551A1-AT5GP-50 BUT ONE PIECE BODY	APPROVED	S. HSIEH	DATE		PART NO. 172119
	CONFIGURATION LEVEL: In Work	FINISH	CAD FILE			