

D

C

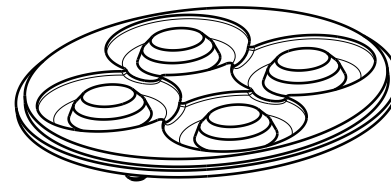
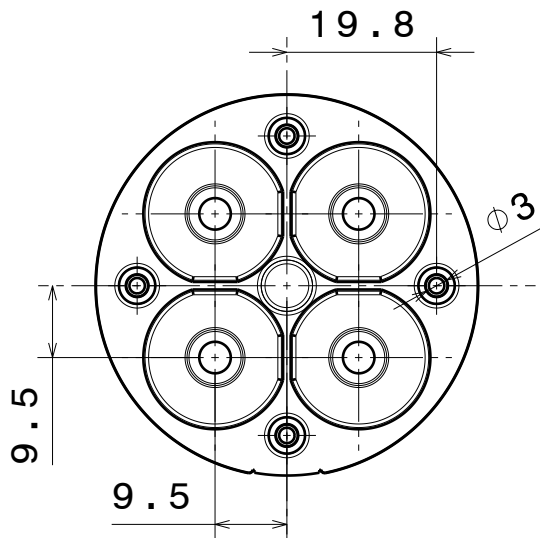
B

A

4

4

Bottom view

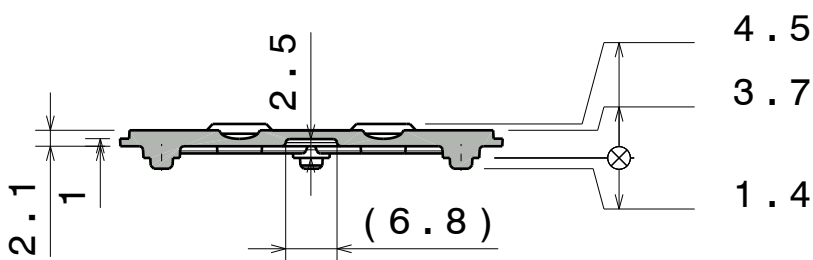


Isometric view

3

3

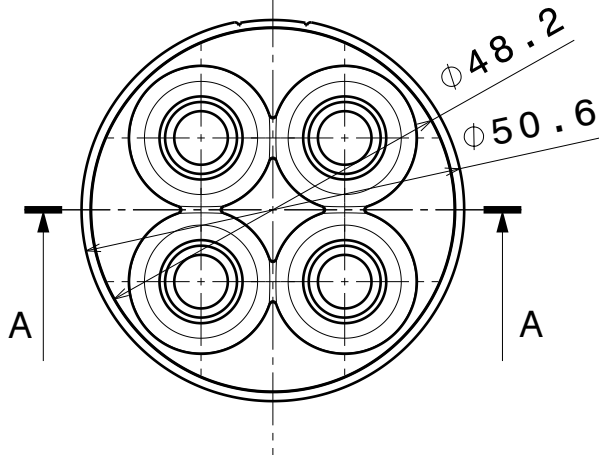
Section view A-A



2

2

Top view

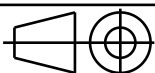


INDEX	PART NO	DESCRIPTION	MATERIAL	COLOUR
1	C13226	DOROTHY-4-A	PMMA	

Tolerances if not otherwise shown
 According to DIN ISO 2768-1
 Linear measures:
 Up to 30mm class M, otherwise class C.
 According to DIN ISO 2768-2
 Form and position: class L

LEDiL
 Ledil Oy
 Salorankatu 10
 FIN 24240 SALO
 Finland

THIRD ANGLE PROJECTION:



DRAWING TITLE

C13226_DOROTHY-4-A

This drawing is the property
 of LEDiL Oy. It may not be
 reproduced, copied or
 communicated without a written
 agreement with LEDiL Oy."

SIZE PART NUMBER

A4

C13226

SCALE

1:1

WEIGHT

4,3 g

SHEET

1/1

D

A

1