

NOTES:

1. MATERIALS AND FINISHES:

- COUPLING NUT - BRASS, NICKEL PLATING
- GASKET - SILICONE RUBBER, RED
- RING - DELRIN, NATURAL
- BODY - BRASS, NICKEL PLATING
- CONTACT - PHOSPHOR BRONZE, GOLD PLATING
- INSULATOR - PTFE, NATURAL

2. ELECTRICAL:

- A. IMPEDANCE: 50 OHM, NOMINAL
- B. FREQUENCY RANGE: 0-11 GHz
- C. D.W.V: 1500 VRMS, MIN.

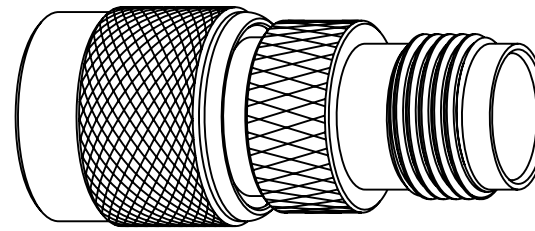
3. MECHANICAL:

- A. DURABILITY: 500 CYCLES MIN.
- B. TEMPERATURE RANGE: -40°C TO +85°C

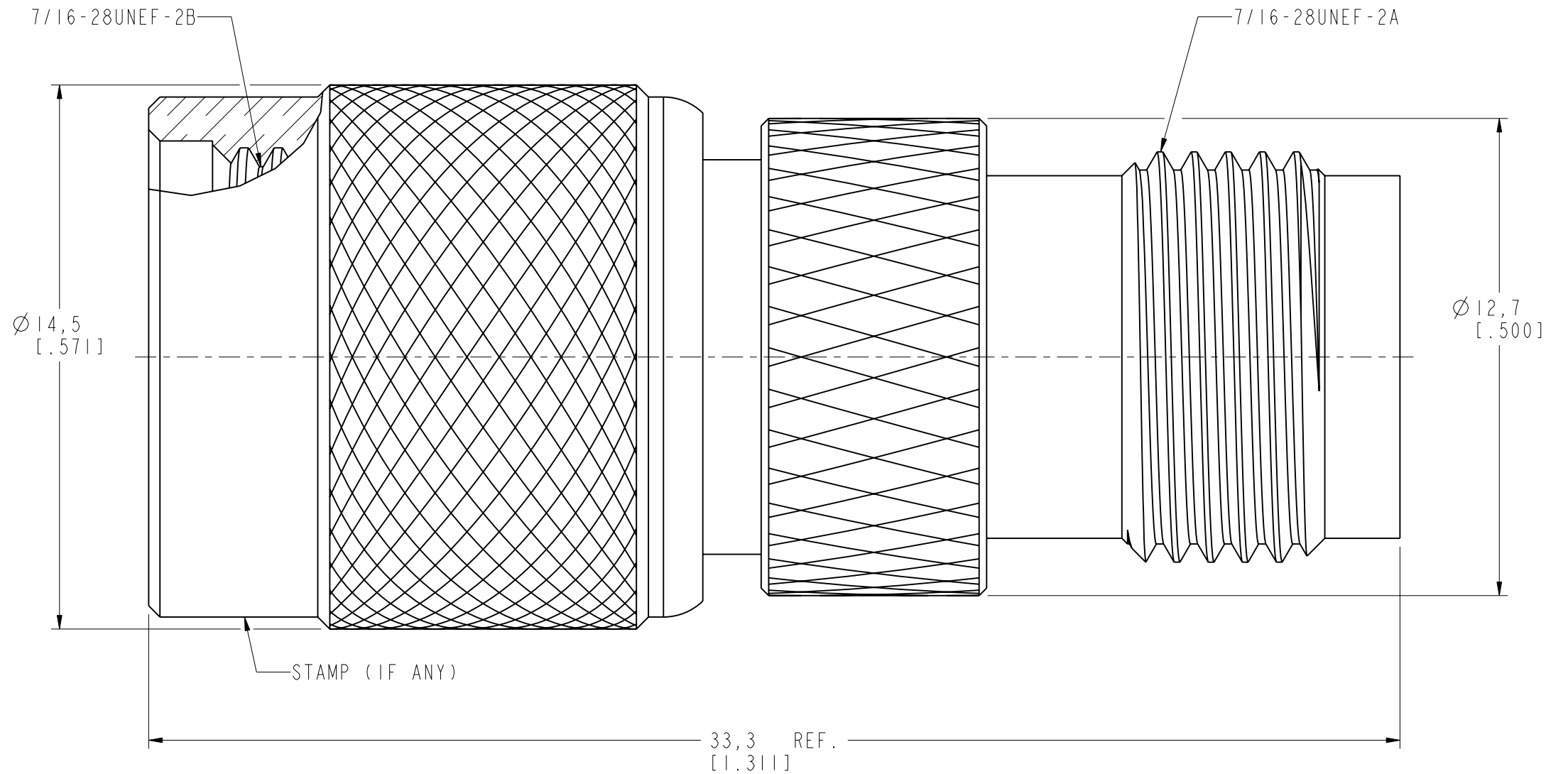
THIRD ANGLE PROJ.

REVISIONS

REV	DESCRIPTION	DATE	ECO	APPR
NC	INITIAL RELEASE	18-Jun-04	-----	GRS
B	SYNC, THE BODY & LOCK RING WERE CHANGED \\RD-DMI6061402M	17-Jun-16	02465	SH



SCALE 2.000



CUSTOMER OUTLINE DRAWING

ALL OTHER SHEETS ARE FOR INTERNAL USE ONLY

UNLESS OTHERWISE SPECIFIED, DIMENSIONS ARE IN METRIC AND TOLERANCES ARE:
 < 0.5mm ± 0.05mm 0.5 - 6mm ± 0.1mm 6 - 30mm ± 0.2mm 30 - 120mm ± 0.3mm ANGLES ± 1°

NOTICE - These drawings, specifications, or other data (1) are, and remain the property of Amphenol corp. (2) must be returned upon request; and (3) are confidential and not to be disclosed to any person other than those to whom they are given by Amphenol Corp. the furnishing of these drawings, specifications, or other data by Amphenol Corp., or to any other person to anyone for any purpose is not to be regarded by implication or otherwise in any manner licensing, granting rights to permitting such holder or any other person to manufacture, use or sell any product, process or design, patented or otherwise, that may in any way be related to or disclosed by said drawings, specifications, or other data.

MATERIAL	DRAWN	DATE	TITLE	Amphenol RF
	M. ZHANG	16-Jun-16		
REFERENCE AND CONFIGURATION LEVEL: In Work	ENGINEER	DATE	SCALE: 7.0:1.0	SHEET 2 OF 2
	F. SHEN	18-Jun-04		
FINISH	APPROVED	DATE	DRAWING NO. T5071A2-NT3G-50	
	S. HSIEH	16-Jun-16	ITEM NO. 025071AAB00NA5F	
	CAD FILE		PART NO. 122498	