

**PART NUMBER CODING**

**DU03DTON**

**MOUNTING STYLE**

N= NO MOUNTING EAR  
D= FLUSH MOUNTING (PAGE 2)

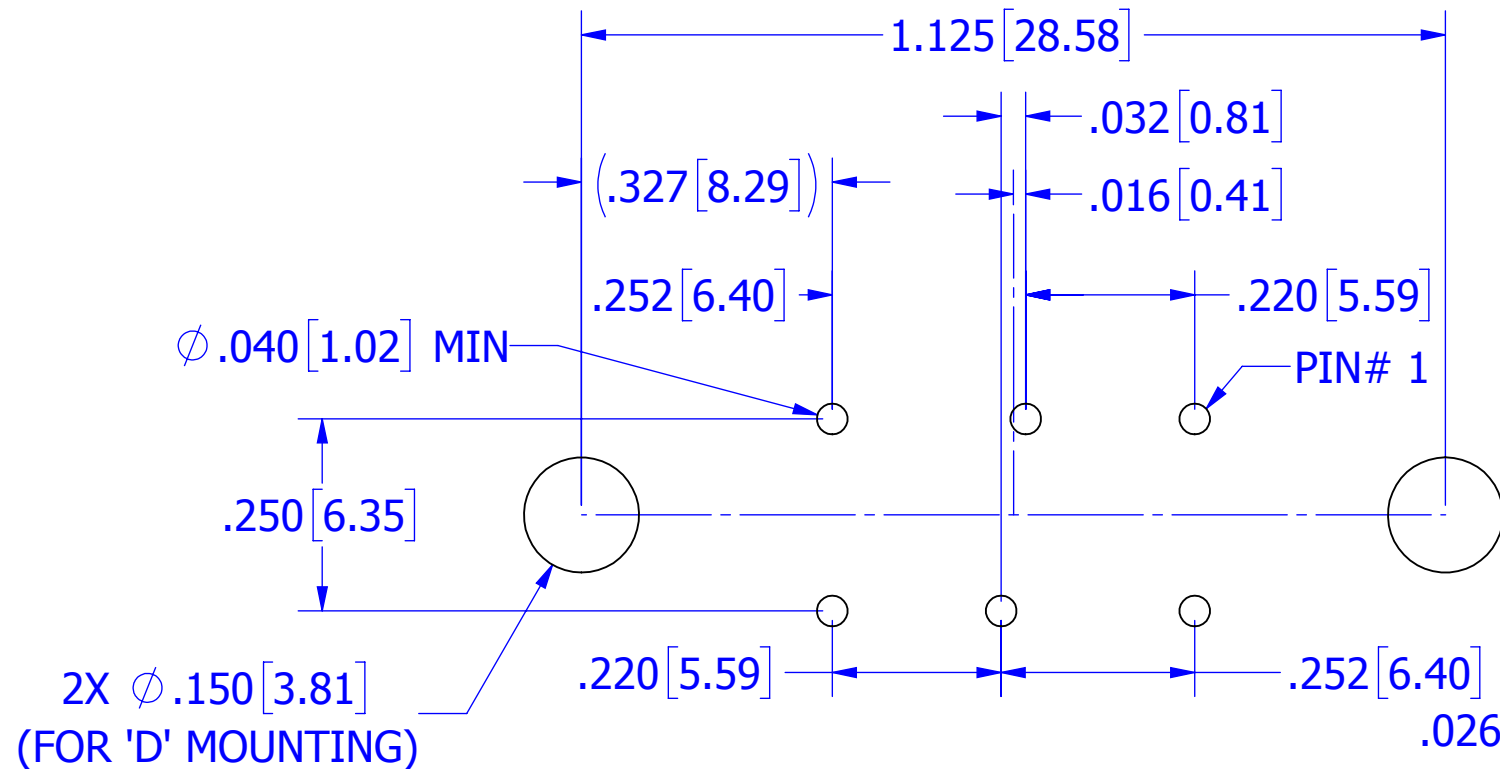
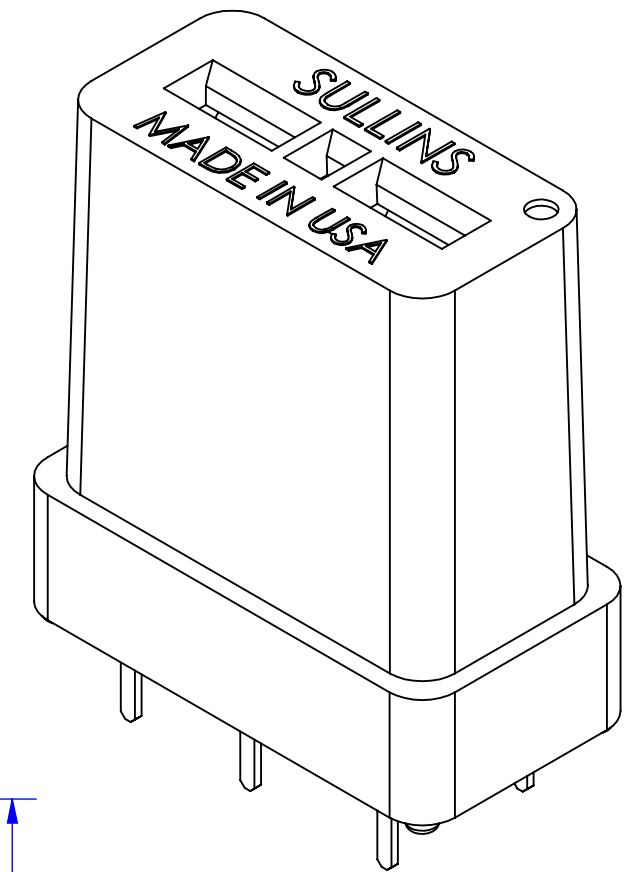
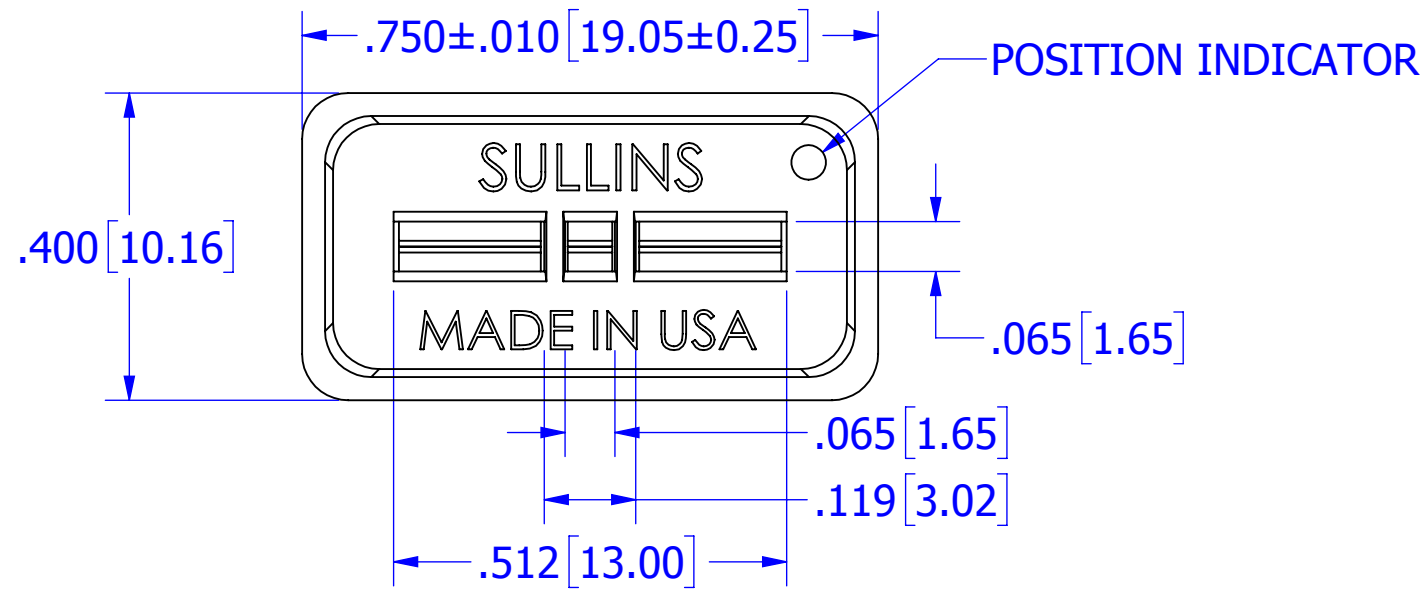
**MATERIALS (INSULATOR / CONTACT)**

T = PPS/BERYLLIUM COPPER  
OPERATING TEMP: -55°C TO +175°C  
PROCESSING TEMP: 260°C MAX FOR 20 SECONDS

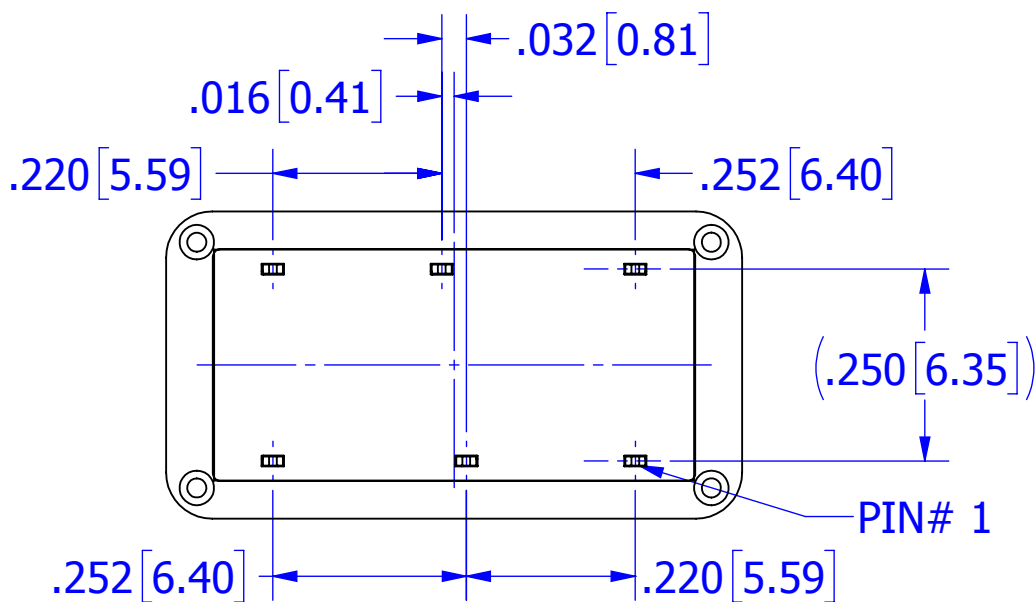
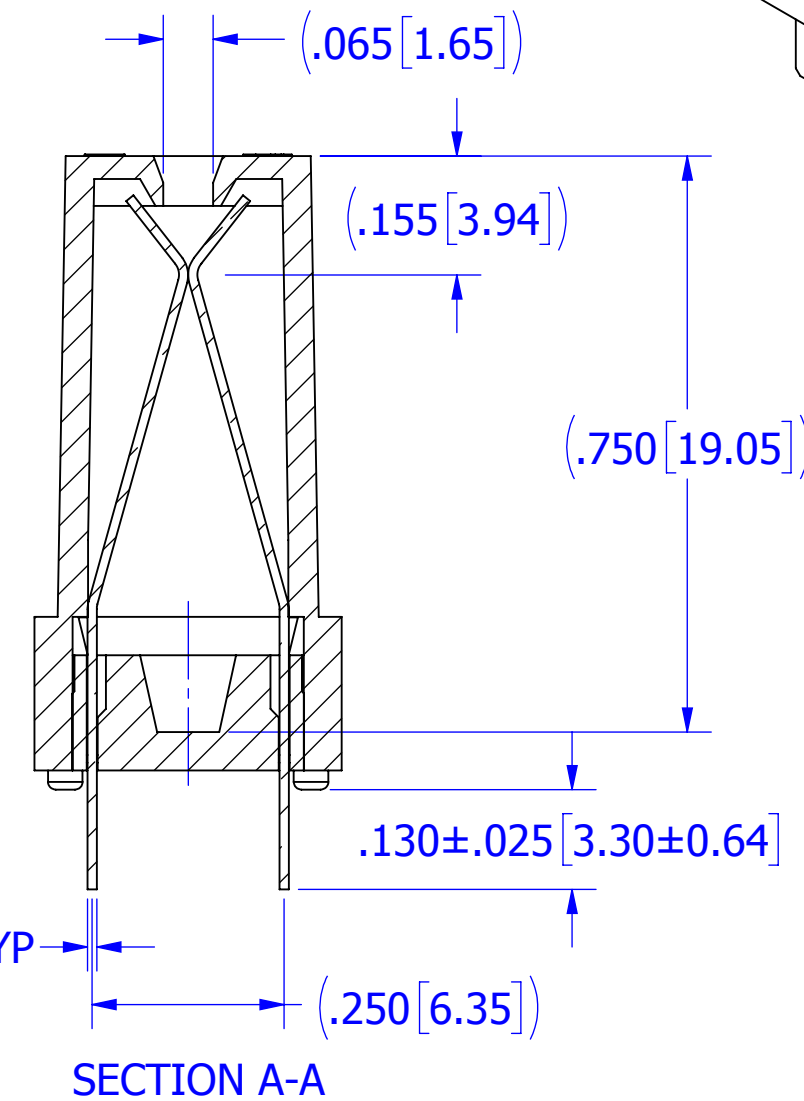
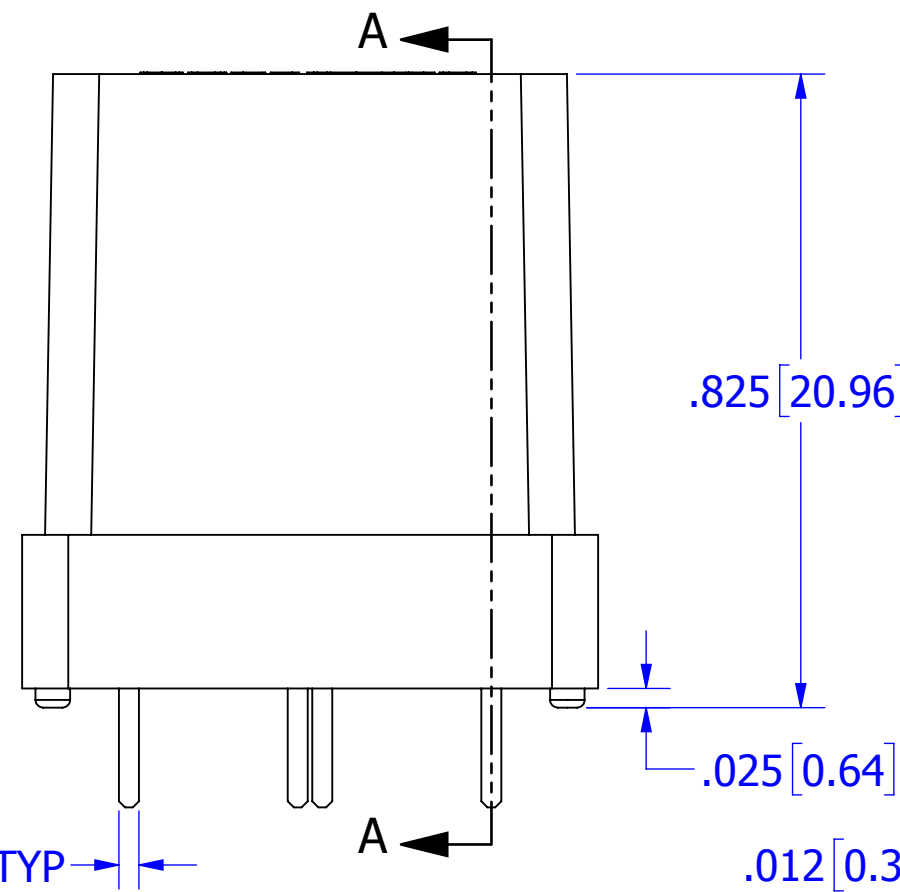
F = PPS/SPINODAL  
OPERATING TEMP: -65°C TO +200°C  
(CONSULT FACTORY FOR SPECIAL SOLDERING GUIDELINES)

X = PEEK/SPINODAL  
OPERATING TEMP: -65°C TO +250°C  
(CONSULT FACTORY FOR SPECIAL SOLDERING GUIDELINES)

REVISIONS				
REV.	ECO. NO	DESCRIPTION	DATE	BY
E	3395	REMOVED 'S' PLATING OPTION	3/4/2016	JH
F	3987	ADDED 'X' MATERIAL FOR 250C TEMP	1/29/2019	TT



**PCB LAYOUT RECOMMENDED (COMPONENT SIDE)**



**\_DU03DTON**

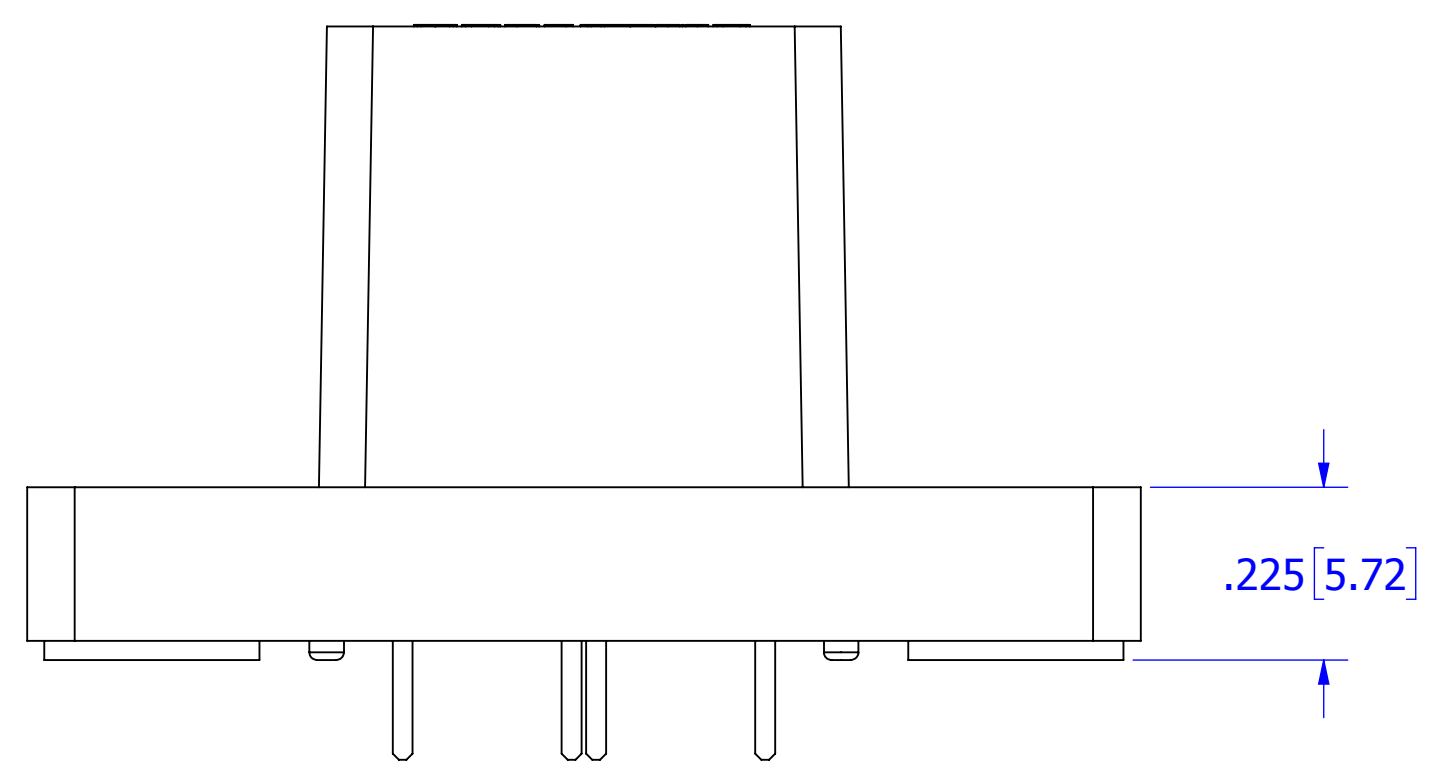
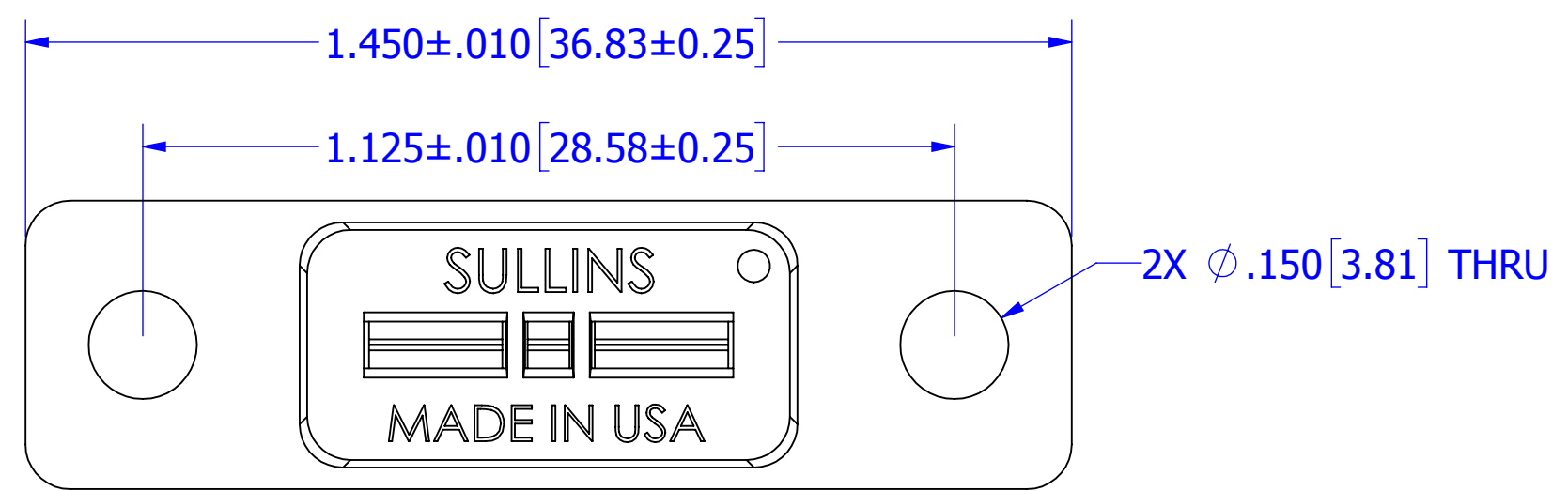
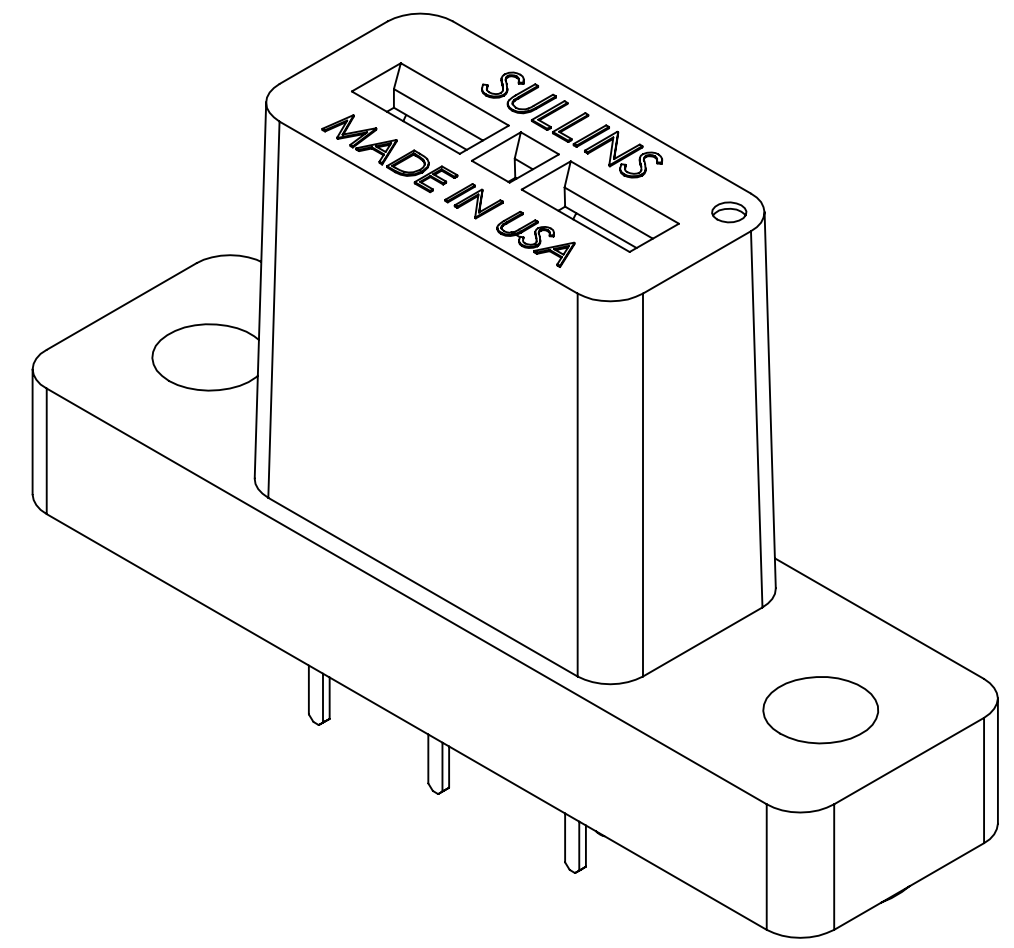
**NOTES:**

- INSULATOR MATERIAL: SEE PART NUMBER CODING
- CONTACT MATERIAL: SEE PART NUMBER CODING
- PLATING: .000050" NICKEL UNDERPLATE, .000030" GOLD OVERALL
- OPERATING TEMPERATURE: SEE PART NUMBER CODING
- PROCESSING TEMP: SEE PART NUMBER CODING
- UL FLAMMABILITY RATING: 94V-0
- OPERATING VOLTAGE: 900 VAC
- CURRENT RATING: 5 AMP
- CONTACT RESISTANCE: 30 MILLI OHMS MAX
- INSULATION RESISTANCE: 5000 MEGA OHMS
- DURABILITY: 500 CYCLES MINIMUM
- CONNECTOR IDENTIFICATION: THE PART SHALL BE MARKED WITH A PART NUMBER AND LOT CODE
- ACCEPTS IN-LINE DEVICES UP TO 3 LEADS INCLUDING TO-3, TO-66, TO-247, TO-220, TO-258, TO 254, TO-257, TO-262 AND TO-264.
- LEAD SIZE ACCOMMODATED: .010[0.25] - .060[1.52] THICK BY .060[1.52] WIDE MAX.

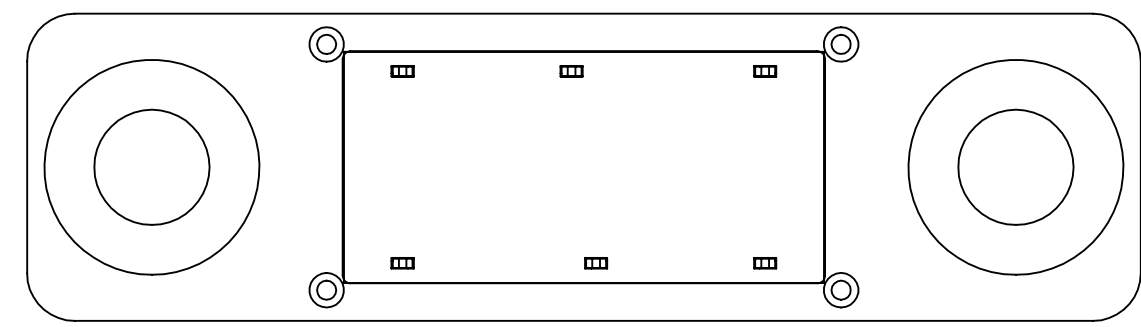


**CUSTOMER COPY**

UNLESS OTHERWISE SPECIFIED: DIMENSIONS ARE IN INCHES [MM]		DRAWN	DATE	NAME		
			1/31/2013	JH		
TOLERANCES:					THE INFORMATION HEREIN CONTAINS PROPRIETARY INFORMATION OF SULLINS ELECTRONICS AND IS NOT TO BE REPRODUCED, USED OR DISCLOSED TO OTHERS FOR ANY PURPOSE EXCEPT AS SPECIFICALLY AUTHORIZED IN WRITING BY AN OFFICER OF SULLINS ELECTRONICS.	
ANGULAR: ± 1°						
DECIMALS .XX= ± .02 [.5] .XXX= ± .005 [.13] .XXXX= ± .0005 [.013]						
TITLE					TO SOCKET, KELVIN CONTACTS, ALL-IN-ONE	
PART NUMBER					_DU03DTON_	
SIZE	CAGE CODE	DWG. NO.	REV			
C	54453	C12112	F			
SCALE: 4:1		SHEET 1 OF 2				



**\_DU03DTOD**



**CUSTOMER COPY**



UNLESS OTHERWISE SPECIFIED: DIMENSIONS ARE IN INCHES [MM]		DRAWN	DATE	NAME	
			1/31/2013	JH	
TOLERANCES: ANGULAR: ± 1° DECIMALS .XX= ± .02 [.5] .XXX= ± .005 [.13] .XXXX= ± .0005 [.013]		THE INFORMATION HEREIN CONTAINS PROPRIETARY INFORMATION OF SULLINS ELECTRONICS AND IS NOT TO BE REPRODUCED, USED OR DISCLOSED TO OTHERS FOR ANY PURPOSE EXCEPT AS SPECIFICALLY AUTHORIZED IN WRITING BY AN OFFICER OF SULLINS ELECTRONICS.		TITLE <b>TO SOCKET, KELVIN CONTACTS, ALL-IN-ONE</b>	
		PART NUMBER <b>_DU03DTO_</b>		SIZE <b>C</b>	CAGE CODE <b>54453</b>
		DWG. NO. <b>C12112</b>		REV <b>F</b>	SCALE: 4:1 SHEET 2 OF 2