

NOTES:

1. MATERIALS AND FINISHES:

- FERRULE - BRASS, NICKEL PLATING
- CONTACT PIN - BRASS, GOLD PLATING
- SPRING - BERYLLIUM COPPER, NICKEL PLATING
- GASKET - SILICONE RUBBER, RED
- BODY - BRASS, NICKEL PLATING
- INSULATOR - PTFE, NATURAL

2. ELECTRICAL:

- A. IMPEDANCE: 50 OHM, NOMINAL
- B. FREQUENCY RANGE: 0-4 GHz
- C. D.W.V: 300 VRMS, MIN.

3. MECHANICAL:

- A. DURABILITY: 500 CYCLES MIN.
- B. TEMPERATURE RANGE: -65°C TO +165°C

4. CRIMPED FERRULE HEX CRIMP SIZE .429"

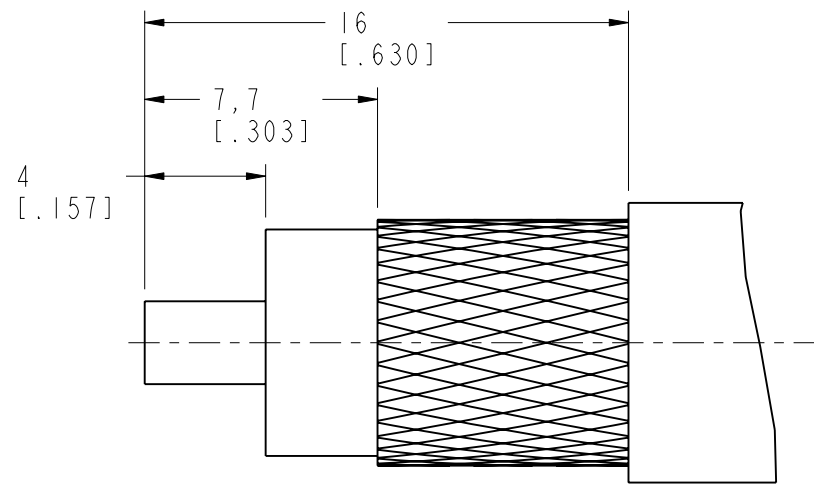
5. CRIMPED CONTACT PIN HEX CRIMP SIZE .118" FOR ULTRAFLEX CABLE ONLY.

6 SHOWS CABLE ENTRY DIMENSIONS.

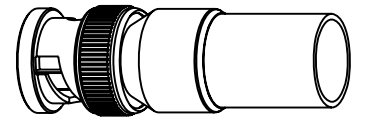
THIRD ANGLE PROJ.

REVISIONS

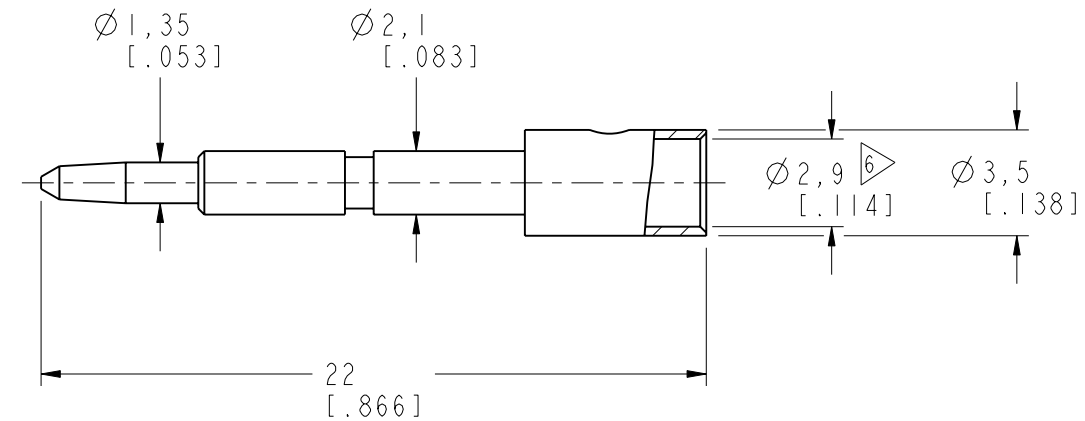
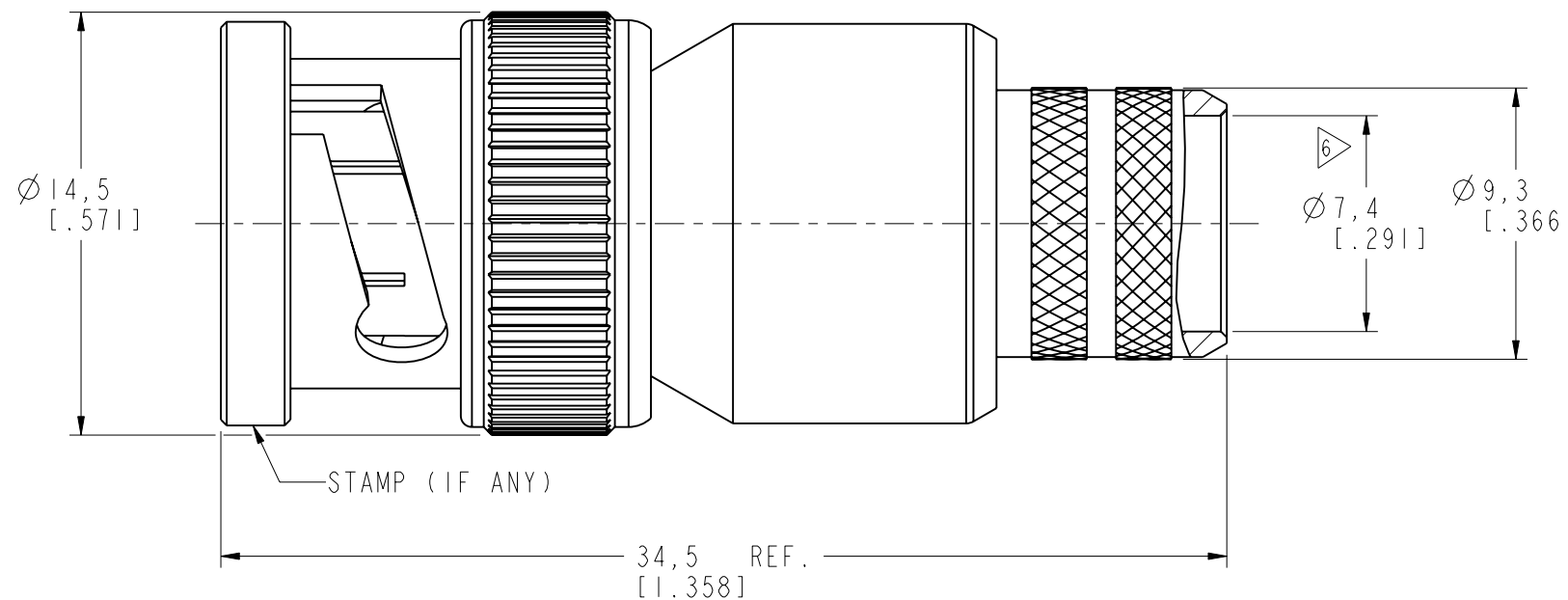
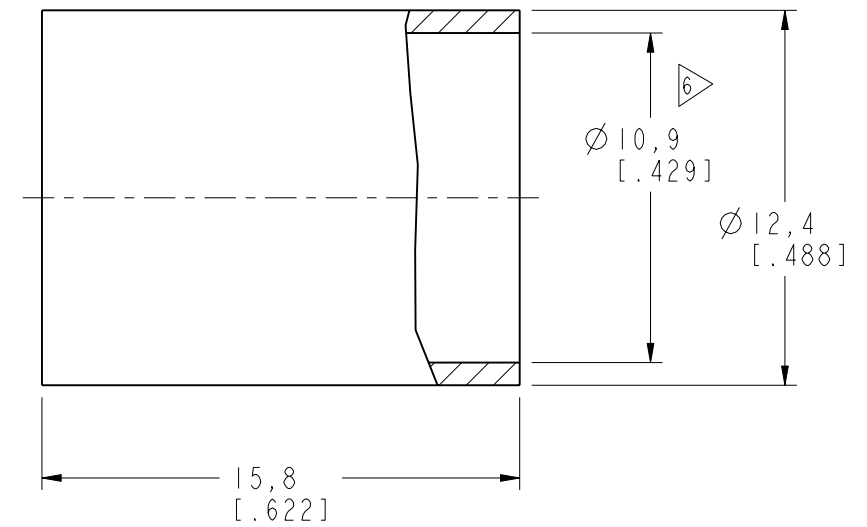
REV	DESCRIPTION	DATE	ECO	APPR
A	UPDATED DRAWING FORMAT	01-May-04	-----	GRS
B	REVISE CRIMP NOTE 5 TO .118" HEX CRIMP	06-Nov-06	-----	GRS
C	SYNC, UPDATED SPRING MATERIAL TO BeCu RD-DMI6061301M	17-Jun-16	02465	SH



RECOMMENDED
CABLE STRIPPING DIM'S



SCALE 1.000



CUSTOMER OUTLINE DRAWING

ALL OTHER SHEETS ARE FOR INTERNAL USE ONLY

UNLESS OTHERWISE SPECIFIED, DIMENSIONS ARE IN METRIC AND TOLERANCES ARE:
 <0.5mm ±0.05mm 0.5 - 6mm ±0.1mm 6 - 30mm ±0.2mm 30 - 120mm ±0.3mm ANGLES ±1°

NOTICE - These drawings, specifications, or other data (1) are, and remain the property of Amphenol corp. (2) must be returned upon request; and (3) are confidential and not to be disclosed to any person other than those to whom they are given by Amphenol Corp. the furnishing of these drawings, specifications, or other data by Amphenol Corp., or to any other person for any purpose is not to be regarded by implication or otherwise in any manner licensing, granting rights to permitting such holder or any other person to manufacture, use or sell any product, process or design, patented or otherwise, that may in any way be related to or disclosed by said drawings, specifications, or other data.

MATERIAL	DRAWN M. ZHANG	DATE 16-Jun-16	TITLE BNC CRIMP PLUG (FOR BELDEN 8214, 9913, 9914 CABLE)	Amphenol RF www.amphenolrf.com
REFERENCE AND CONFIGURATION LEVEL: In Work	ENGINEER K.L.I	DATE 18-Jul-05		
FINISH	APPROVED S.HSIEH	DATE 16-Jun-16	SCALE: 4.0:1.0 SHEET 2 OF 2	DRAWING NO. B1121A6-NT3G-9913-50
			DWG SIZE B	REV C
				ITEM NO. 011121AAU93NA5F
				PART NO. 112563