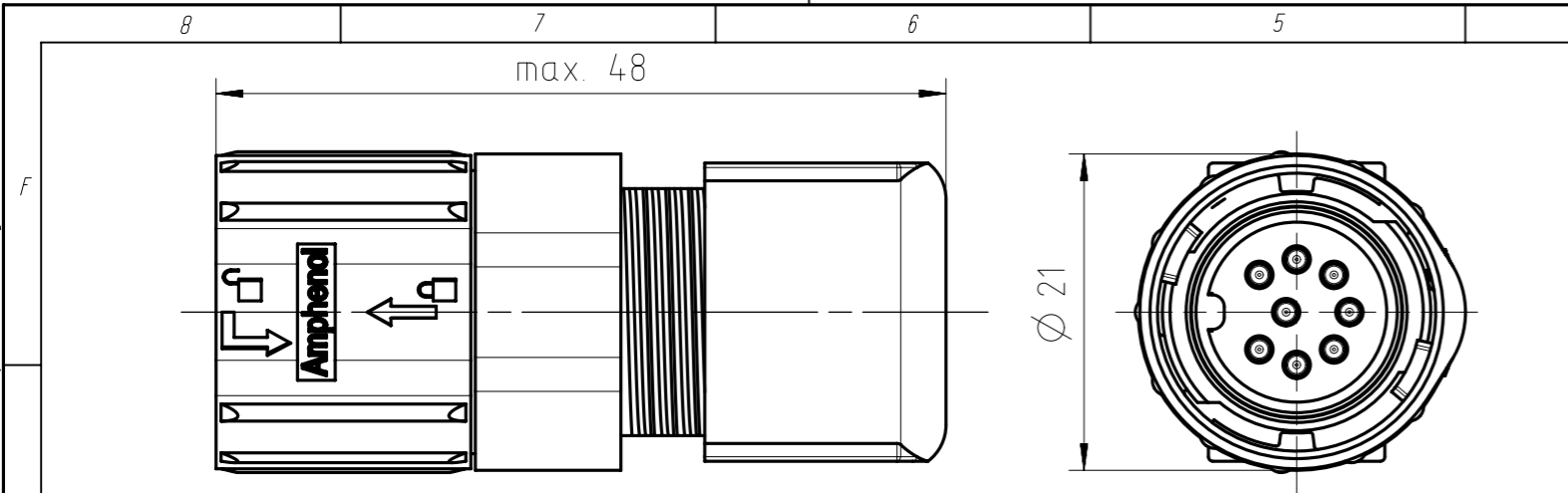
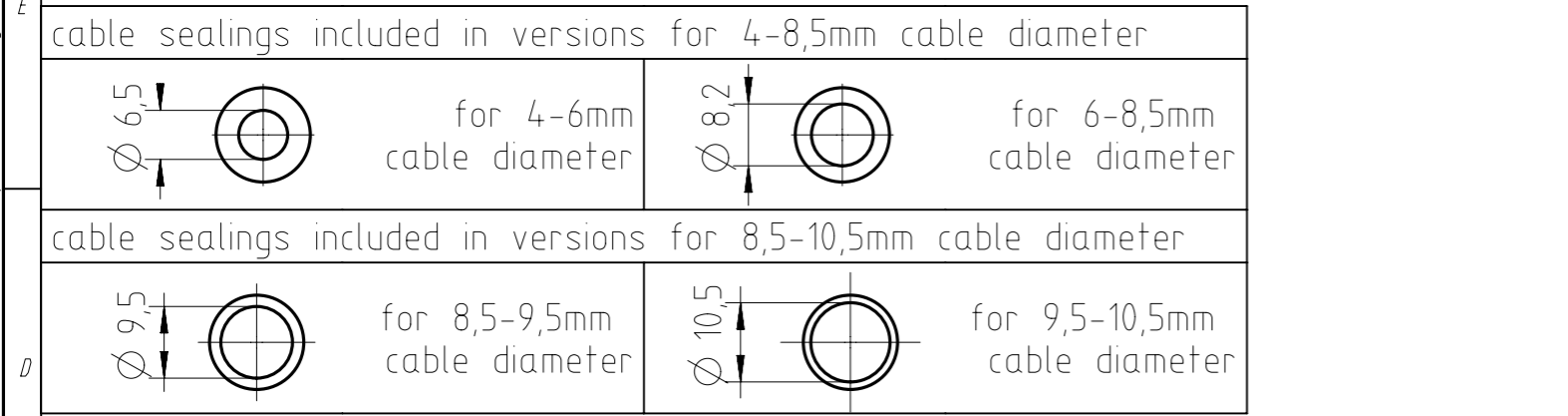


Weitergabe sowie Vervielfältigung dieser Unterlage, Verwertung und Mitteilung ihres Inhalts nicht gestattet, soweit nicht ausdrücklich zugestanden. Zuwiderhandlungen verpflichten zu Schadensersatz. Alle Rechte für den Fall der Patenterteilung oder Gebrauchsmuster-Eintragung vorbehalten.



Assembly instruction see N 22 091 0034



| | | | | | | | | | | | | | | |
|---------------------------------|-----------------------------------|-------------------------------------|------|-------|----------|-------|------|-------------------------------|-------|----------|------|------|------|--|
| Number of contacts | Standard | 3 | 4 | 5 | 5 | 6 | 7 | 7 | 8 | 12 | 14 | 14 | 19 | |
| Contact arrangement | IEC 61076-2-106 | 03-a | 04-a | 05-a | 05-b | 06-a | 07-a | 07-b | 08-a | 12-a | 14-a | 14-b | 19-a | |
| Rated voltage | IEC 60664-1 | 150 V | | 100 V | 32 V | 100 V | | | 32 V | | | | | |
| Rated impulse withstand voltage | IEC 60664-1 | 840 V | | | 500 V | 840 V | | | 500 V | | | | | |
| Pollution degree ²⁾ | IEC 60664-1 | 3 ¹⁾ | | | | | | | | | | | | |
| Installation category | IEC 60664-1 | I | | | | | | | | | | | | |
| Insulation group | IEC 60664-1 | II, 400 ≤ CTI < 600 | | | | | | | | | | | | |
| Current rating | IEC 60512-5-2 UL 1977 | 10A/+40°C | | | 7A/+40°C | | | | | 3A/+40°C | | | | |
| Insulation resistance | IEC 60512-3-1 | >10 ¹⁰ Ohm ²⁾ | | | | | | | | | | | | |
| Contact resistance | IEC 60512-2-1 | <5mOhm | | | | | | | | | | | | |
| Climatic category | IEC 60668-1 | 40 / 100 / 56 | | | | | | | | | | | | |
| Temperatur range | IEC 60668-1 | -40°C...+100°C / -40°F...+212°F | | | | | | | | | | | | |
| IP degree | IEC 60529 | IP 68 (in mated condition) | | | | | | | | | | | | |
| Insertion and withdrawal force | IEC 60512-13-2 | 25N | 30N | 35N | 35N | 50N | 55N | 55N | 60N | 50N | 50N | 50N | 60N | |
| mechanical operation | IEC 60512-9-1 | ≥500 mating cycles | | | | | | | | | | | | |
| housing material | | thermoplastic | | | | | | | | | | | | |
| dielectric material | | thermoplastic | | | | | | | | | | | | |
| sealing material | | chloroprene, silicone | | | | | | | | | | | | |
| contacts | | silver or gold plated | | | | | | | | | | | | |
| termination technique | | solder | | | | | | | | | | | | |
| wire gauge | | ≤0,5mm ² / 20 AWG | | | | | | ≤0,35mm ² / 22 AWG | | | | | | |
| flamability | | UL 94 V0 | | | | | | | | | | | | |
| locking system | IEC 60130-9 DIN EN 61076-2-106 | Quicklock system | | | | | | | | | | | | |

| | | | | |
|--|--------------|----|---------------------|---------------------|
| | 19 (19-a) | Ag | C091 31H019 100 5 U | C091 31H019 102 5 U |
| | | Au | C091 31H019 200 5 U | C091 31H019 202 5 U |
| | 14 (14-b) | Ag | C091 31H114 100 5 U | C091 31H114 102 5 U |
| | | Au | C091 31H114 200 5 U | C091 31H114 202 5 U |
| | 14 (14-a) | Ag | C091 31H014 100 5 U | C091 31H014 102 5 U |
| | | Au | C091 31H014 200 5 U | C091 31H014 202 5 U |
| | 12 (12-a) | Ag | C091 31H012 100 5 U | C091 31H012 102 5 U |
| | | Au | C091 31H012 200 5 U | C091 31H012 202 5 U |
| | 8 (08-a) | Ag | C091 31H008 100 5 U | C091 31H008 102 5 U |
| | | Au | C091 31H008 200 5 U | C091 31H008 202 5 U |
| | 7 (07-b) | Ag | C091 31H107 100 5 U | C091 31H107 102 5 U |
| | | Au | C091 31H107 200 5 U | C091 31H107 202 5 U |
| | 7 (07-a) | Ag | C091 31H007 100 5 U | C091 31H007 102 5 U |
| | | Au | C091 31H007 200 5 U | C091 31H007 202 5 U |
| | 6 (6-a) | Ag | C091 31H006 100 5 U | C091 31H006 102 5 U |
| | | Au | C091 31H006 200 5 U | C091 31H006 202 5 U |
| | 5 (05-b) | Ag | C091 31H105 100 5 U | C091 31H105 102 5 U |
| | | Au | C091 31H105 200 5 U | C091 31H105 202 5 U |
| | 5 (05-a) | Ag | C091 31H005 100 5 U | C091 31H005 102 5 U |
| | | Au | C091 31H005 200 5 U | C091 31H005 202 5 U |
| | 4 (04-a) | Ag | C091 31H004 100 5 U | C091 31H004 102 5 U |
| | | Au | C091 31H004 200 5 U | C091 31H004 202 5 U |
| | 3 (03-a) | Ag | C091 31H003 100 5 U | C091 31H003 102 5 U |
| | | Au | C091 31H003 200 5 U | C091 31H003 202 5 U |

| | | | | |
|---------------------------------------------------|------------------------------------------------------------------|-----------------|-----------------------------------------|--------------------------------------------|
| Contact arrangement View on mating side | Number of contacts (Contact arrangement acc. DIN EN 61076-2-106) | contact plating | Part number for cable diameters 4-8,5mm | Part number for cable diameters 8,5-10,5mm |
|---------------------------------------------------|------------------------------------------------------------------|-----------------|-----------------------------------------|--------------------------------------------|

| | | | | | | |
|--------------------------------|------------------------|-----------------------|--------|---------------------------------|----|-----------------|
| Gewicht (errechnet) / Calc WT: | | Zul. Abw./Tolerances: | | Maßstab / Scale: 2:1 | A3 | |
| Prüfmaß / Testdimension | | ± 0,50 | | CUSTOMER DRAWING | | |
| Teileindex / Partindexnumber: | | DIN / ISO 13715 | | Kabelstecker Quicklock | | |
| Bagatelle change: | | Gez. 11.09.2020 | | Male cable connector Quicklock | | |
| | | Drawn MCARLE | | | | |
| | | Status Released | | | | |
| | | Gepr. 21.07.2021 | | | | |
| | | Checked MBERTSCH | | | | |
| 04 | 201800273 | 21.07.2021 | MCARLE | Amphenol Tuchel Industrial GmbH | | |
| 03 | 201800273 | 24.06.2021 | MCARLE | | | |
| 02 | 201800273 | 17.06.2021 | MCARLE | | | |
| 01 | 201800273 | 27.11.2020 | MCARLE | | | |
| Index | Änderung / Description | Datum / Date | Name | Ers. f. / Replacement for: | | Blatt / Sheet 1 |

¹⁾ designed acc. pollution degree 2; can be used under pollution degree 3 when the rules of IEC 60664-1 are fulfilled
²⁾ under operating conditions >10⁸ Ohm
 Do not connect or disconnect under load. Metal housing parts shall be securely incorporated to protected ground.
 Remark for gold plated contacts:
 In order to avoid brittle inter-metallic connections, gold plated terminals have to be tin-plated in the solder area.
 All technical data have been measured in a laboratory environment and can be different during practical usage of the product. Any product information is for descriptive usage only and not legally binding; particularly the information does not constitute or provide any legal guaranties ("Beschaffensgarantie" or "Haltbarkeitsgarantie").

FAI2021-003065
NXM-V01