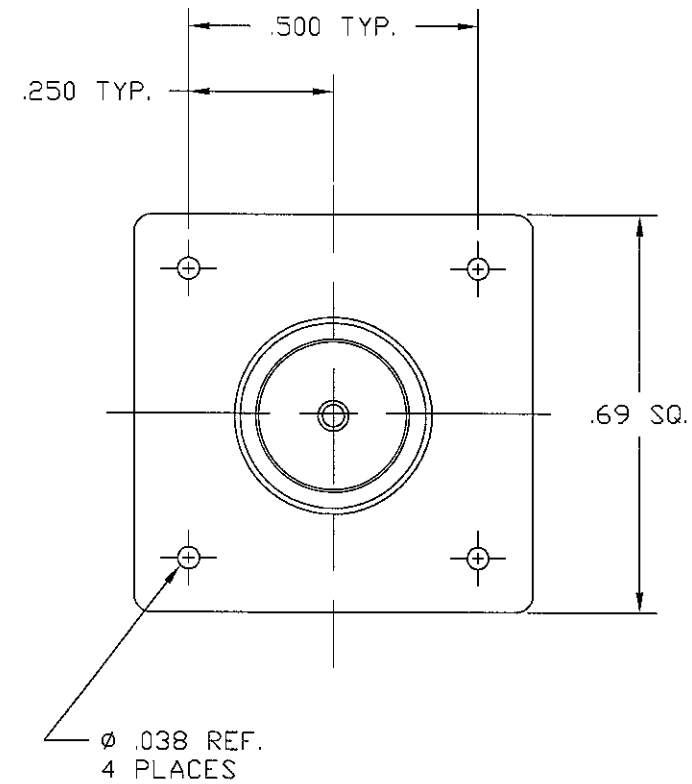
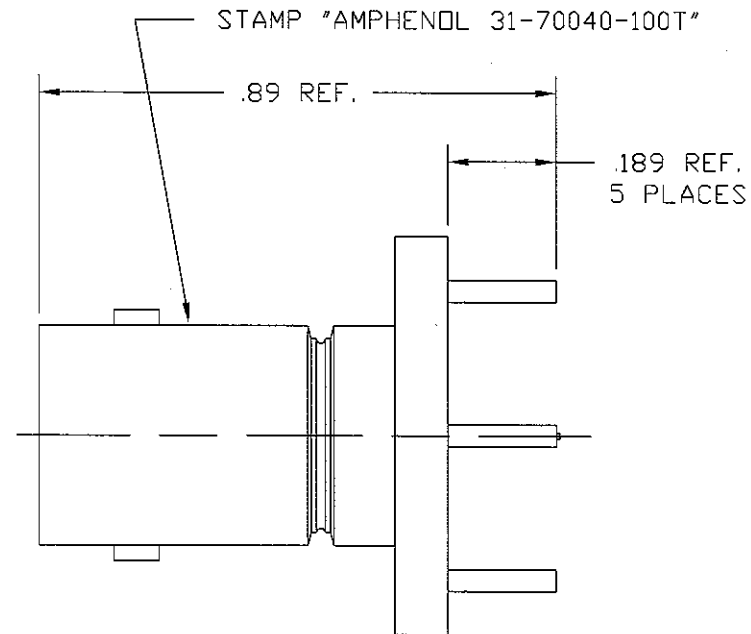


NOTES:

- MATERIALS OF CONSTRUCTION:  
 BODY & RETAINING RING = BRASS, NICKEL PLATED.  
 CONTACT = BERYLLIUM COPPER, GOLD PLATED.  
 INSULATOR = TFE, FLUORCARBON.
- PACKAGE THIS CONNECTOR IN ANTI-STATIC TRAYS, 30 PIECES PER TRAY,  
 USE EXTREME CARE IN PACKAGING FOR SHIPMENT TO AVOID DAMAGE TO LEGS.
- DO NOT SCALE THIS DRAWING.
- UNLESS OTHERWISE SPECIFIED, ALL DIMENSIONS ARE AFTER PLATING.

31-70040-100T		REVISIONS			
DRAWING NO.	REV	DESCRIPTION	DATE	ECO	APPR
THIRD ANGLE PROJ.	A	RELEASE TO MFG.	1/6/99	42797	CPM/
	B	SEE SHEET 1	4/24/00	43337	CPM/
	C	SEE SHEET 1	5/20/05	45551	CPM/



CUSTOMER OUTLINE DRAWING  
 ALL OTHER SHEETS ARE FOR INTERNAL USE ONLY

UNLESS OTHERWISE SPECIFIED, DIMENSIONS ARE IN INCHES AND TOLERANCES ARE:  
 2 PLACE DECIMAL ±.015 (0,381 mm)  
 3 PLACE DECIMAL ±.005 (0,127 mm)  
 ANGLES ± 1°

NOTICE - These drawings, specifications, or other data (1) are, and remain the property of Amphenol Corp. (2) must be returned upon request; and (3) are confidential and not to be disclosed to any person other than those to whom they are given by Amphenol Corp. The furnishing of these drawings, specifications, or other data by Amphenol Corp., or to any other person to anyone for any purpose is not to be regarded by implication or otherwise in any manner licensing, granting rights or permitting such holder or any other person to manufacture, use or sell any product, process or design, patented or otherwise, that may in any way be related to or disclosed by said drawings, specifications, or other data.

MATERIAL

DRAWN C. McGRATH DATE 1/5/99

TITLE BNC RECEPTACLE  
75 OHMS PCB

**Amphenol**  
 Amphenol Corporation  
 RF/Microwave Operations  
 Danbury, Conn. U.S.A. 06810

REFERENCE EAR 967159-0

ENGINEER T. AUBIN DATE 1/5/99

APPROVED T. AUBIN DATE 1/6/99

SCALE: 3:1 SHEET 2 OF 2

CAD FILE H:\DEPT611\BNC\031\ASSY\70040\100TSHT2

CODE ID 74868

DWG SIZE B

DRAWING NO. 31-70040-100T

REV C