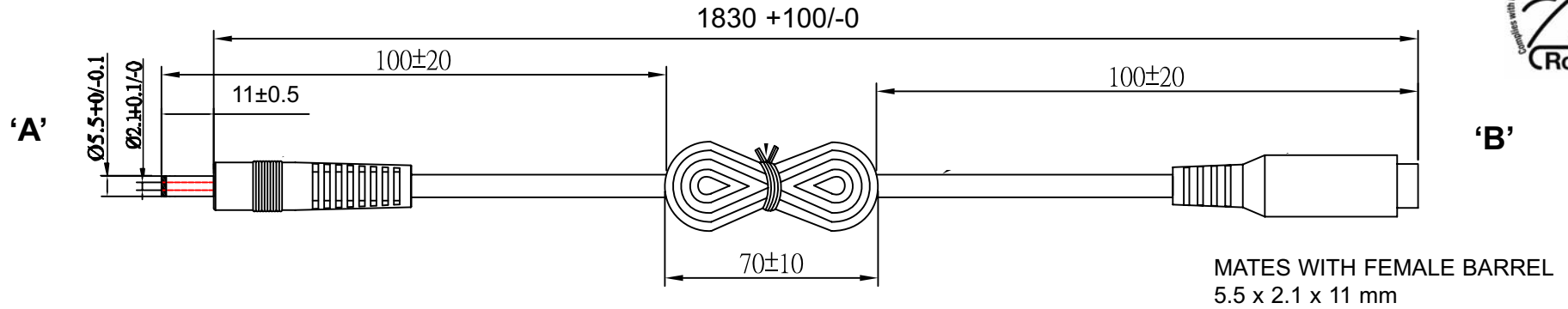


PROPRIETARY INFORMATION:
 PROPRIETARY OF GLOBTEK, INC. ANY REPRODUCTION, DISCLOSURE OR USE OF THIS DRAWING, IN WHOLE OR IN PART, IS HEREBY PROHIBITED EXCEPT AS SPECIFIED IN WRITING BY GLOBTEK, INC.

REVISION			
REV	DESCRIPTION	DATE	APPROVED
A	INITIAL RELEASE, RFS. 20009, JS	11/23/10	BS
B	ADD PACKING INFO, RFS. 21874, JS	11/09/11	HM
C	ADD DESCRIPTION TO END 'B' TERMINATION, RFS. 23344, JS	08/15/12	HM



GENERAL SPECIFICATIONS:

CABLE TYPE / SIZE: 18 AWG STRANDED, SHIELDED, ROUND CABLE
 UL CMP or CL2P PLENUM RATED TYPE, 2C+SHIELD W/DRAIN WIRE, VW-1 RATED

TEMPERATURE/VOLTAGE RATING: 60°C/150V


CABLE JACKET COLOR: FLUOROCOPOLYMER NATURAL / OFF-WHITE

OVERALL LENGTH (L): 1830 +100,-0 mm

CABLE OUTER DIAMETER: Ø 3.5 mm²

END 'A' TERMINATION: STRAIGHT FEMALE BARREL 5.5 x 2.1 x 11 mm, CENTER POSITIVE

END 'B' TERMINATION: IN LINE MALE RECEPTACLE, MOLDED, MATES WITH FEMALE BARREL 5.5 x 2.1 x 11 mm

DASH NO.	PART NO	REV.	DESCRIPTION	NOTES
TABULATION BLOCK				
		TOLERANCES: DECIMALS ANGULAR .xx +/- 0.1 +/- 1° .xxx +/- .005		 GlobTek, Inc. www.globtek.com 186 Veterans Dr. Northvale, NJ 07647 Tel. 201-784-1000 Fax 201.784.0111
		MILLIMETERS ANGULAR .xx +/- 0.3 +/- 1° .xxx +/- .013		
INIT.BY: JS DATE: 11/23/10		DWG TITLE: PLENUM DC CORDSET		
DRAWN: NF DATE: 11/23/10		FSCN No.: G, CC SIZE: A		REV. C
APRVD: HM DATE: 11/23/10		SCALE: NONE		PART NO: C00CMPCL2P6F722G2364 SHEET 1/2

Foot Note:
 Globtek Inc. will not be liable for the safety and performance of these power product if unauthorized access and repair occurs. End user should consult the applicable UL, CSA or EN Standards for proper installation instruction.

Limitation of Use:
 Globtek product are not authorized for use as mission critical components in life support, hazardous environment, nuclear or aircraft applications without prior written approval from the CEO of Globtek Inc.

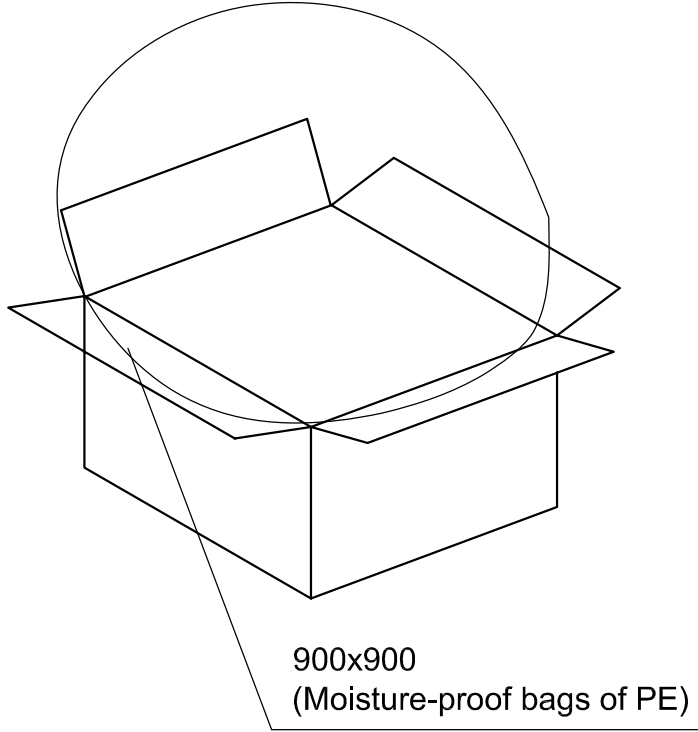
Contents of this document are subject to change without prior notice

PROPRIETARY INFORMATION:

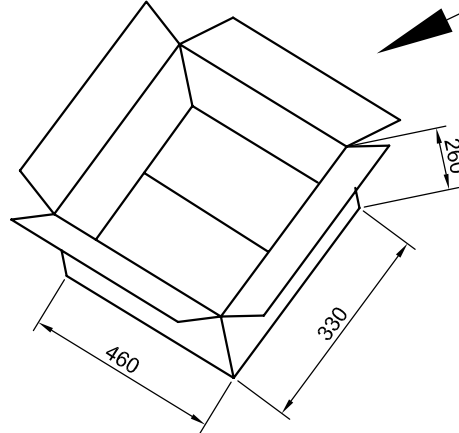
PROPRIETARY OF GLOBTEK, INC. ANY REPRODUCTION, DISCLOSURE OR USE OF THIS DRAWING, IN WHOLE OR IN PART, IS HEREBY PROHIBITED EXCEPT AS SPECIFIED IN WRITING BY GLOBTEK, INC.

**PACKING:
BULK**

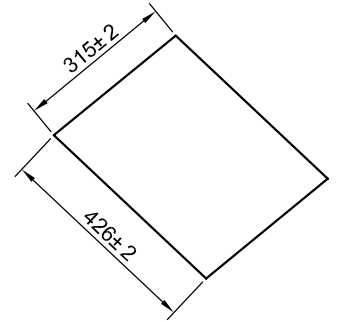
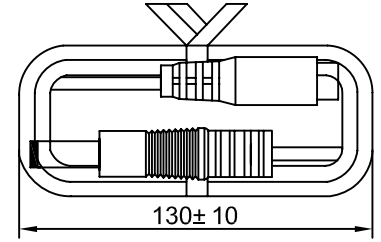
- 2.partition: 3mm corrugated fiberboard
- 3.actual dim. of outside carton subject to change at time of manufacture



240 pcs cords / carton



OUTSIDE CARTON



PARTITION

GlobTek, Inc.
www.globtek.com

186 Veterans Dr. Northvale, NJ 07647
Tel. 201-784-1000 Fax 201.784.0111

DWG TITLE: PLENUM DC CORDSET

PART NO: **C00CMPCL2P6F722G2364**

REV.
C

SHEET 2/2