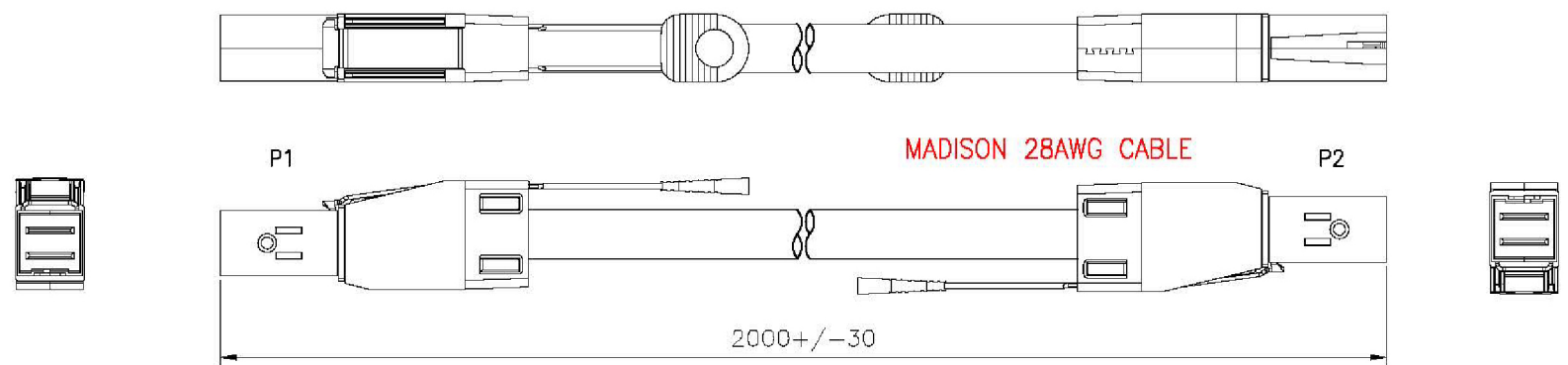


1	2	3	4	5	6	7	8	9
REV.	REMARK	DATE	SIGN.					

RoHS



MATERIAL RoHS COMPLIANT:

1. CABLE:
 CONDUCTOR: 28AWG SOLID SILVER PLATED COPPER.
 INSULATION: FOAM POLYOLEFIN.
 PAIR: 2 SINGLES LAID FLAT AND PARALLEL.
 CORE: 8 PAIRS
 PAIR DRAIN WIRE: 30AWG SOLID SILVER PLATED COPPER.
 PAIR SHIELD: ALUMINUM/POLYESTER TAPE. ALUMINUM SIDE FACING IN, 25% OVERLAP.
 INNER SHIELD: ALUMINUM/POLYESTER TAPE, ALUMINUM SIDE PACING OUT, 25% OVERLAP.
 OUTER SHIELD: 38AWG TIN PLATED COPPER BRAID, 85% COVERAGE.
 DIAMETER: 7.874mm
 PRINT LEGEND: "MADISON CABLE CORP. TYPE CL2 75°C 28AWG (UL) TurboTwin™ RoHS COMPLIANT"
 DIFFERENTIAL IMPEDANCE: 100±5 OHMS @TDR
 UL LISTING: TYPE CL2 AS SPECIFIED IN ARTICLE 725 OF THE NATIONAL ELECTRICAL CODE.

2. CONNECTOR:

P1,P2: Mini SAS HD 4x CABLE PLUG (SFF-8644)
 (1) P.C.B: FR408, 6 LAYERS
 (2) LATCH: STAINLESS STEEL
 (3) BACKSHELL- ZINC DIE CASTING HOOD/ NICKEL PLATING
 (4) PULL TAB: NYLON UL94V-0, COLOR: BLUE.
 (5) EMI CONDUCTIVE GASKET.
 3. FOR SAS 6.0 Gbps.
 4. TWO-WIRED SERIAL MEMORY: ATMEL AT24C02B EEPROM (256 BYTES).



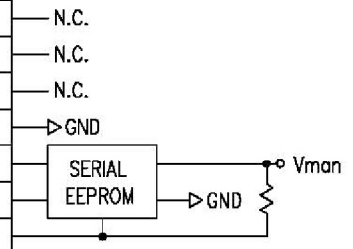
DESC.	Mini SAS HD 4x/Mini SAS HD 4x CABLE ASS'Y	APPROVED	CHECKED	DESIGNED	TOLERANCE	SCALE	*	UNIT	mm		
P/N	C-SFF8644-8644-6M					DATE	02/24/11	DWG NO:	DWG\B\3493		

1	2	3	4	5	6	7	8	9
REV.	REMARK	DATE	SIGN.					

WIRING DIAGRAM

HIGH SPEED SIGNAL			
P1(Mini SAS HD 4x Plug)		P2(Mini SAS HD 4x Plug)	
PIN	SIGNAL	PAD	SIGNAL
A4	RX1+	C4	TX1+
A5	RX1-	C5	TX1-
A7	RX3+	C7	TX3+
A8	RX3-	C8	TX3-
B4	RX0+	D4	TX0+
B5	RX0-	D5	TX0-
B7	RX2+	D7	TX2+
B8	RX2-	D8	TX2-
C4	TX1+	A4	RX1+
C5	TX1-	A5	RX1-
C7	TX3+	A7	RX3+
C8	TX3-	A8	RX3-
D4	TX0+	B4	RX0+
D5	TX0-	B5	RX0-
D7	TX2+	B7	RX2+
D8	TX2-	B8	RX2-
GND GROUP	GND	GND GROUP	GND
GND GROUP 1: P1-A3,A6,A9,B3,B6,B9, P2-C3,C6,C9,D3,D6,D9			
GND GROUP 2: P1-C3,C6,C9,D3,D6,D9, P2-A3,A6,A9,B3,B6,B9			
Connector Shell		Connector Shell	

LOW SPEED SIGNAL & POWER	
PAD	SIGNAL
A1	Reserved
A2	IntL
B1	Vact
B2	ModPrsL
C1	SCL
C2	SDA
D1	Vact
D2	Vman



DESC.	Mini SAS HD 4x/Mini SAS HD 4x CABLE ASS'Y	APPROVED	CHECKED	DESIGNED	TOLERANCE	SCALE	*	UNIT	mm	
P/N	C-SFF8644-8644-6M				*	DATE	02/24/11	DWG NO:	DWG\B\3493	