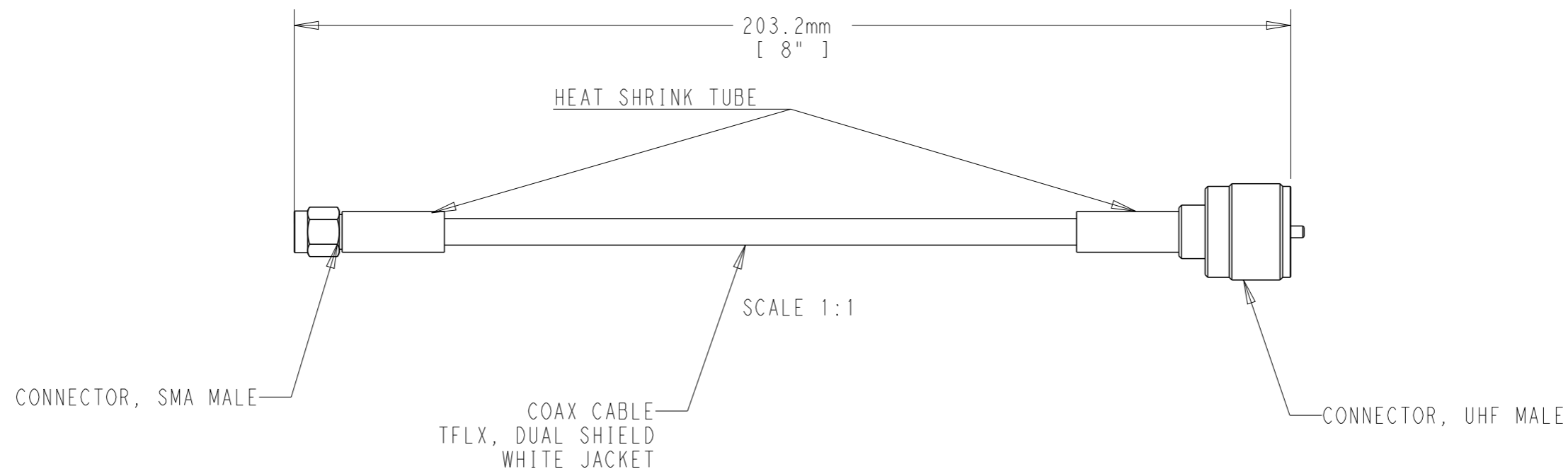


REVISIONS

P	LTR	DESCRIPTION	DATE	DWN	APVD
	A	INITIAL RELEASED	03MAY2023	ERIC	WT



TE PART NUMBER
PTD0-67SMP

THIS DRAWING IS A CONTROLLED DOCUMENT.		DWN LIM ERIC	03-May-23		
		CHK WT NG	03-May-23		
		APVD WT NG	03-May-23	NAME CABLE ASSY, TFX, SMAM, UHFM, CP, CP, 8-IN SMA_PL259	
DIMENSIONS: mm		TOLERANCES UNLESS OTHERWISE SPECIFIED:		PRODUCT SPEC -	
		0 PLC	±0.5	APPLICATION SPEC -	
		1 PLC	±0.25	WEIGHT -	
		2 PLC	±0.13	SIZE A3	
		3 PLC	±	CAGE CODE 00779	
MATERIAL -		4 PLC	±	DRAWING NO PTD0-67SMP	
		ANGLES	±30'	RESTRICTED TO -	
		FINISH	-	SCALE 1:2	
			-	SHEET 1 OF 1	
			-	REV A	
		CUSTOMER DRAWING			